







Submittal Data: RIO18HP230V1B		18,000 BTU/H Wall Mounted Heat- Pump System	
Job Name		Location	Date
Purchaser		Engineer	
Submitted To		For <input type="checkbox"/> Reference <input type="checkbox"/> Approval <input type="checkbox"/> Construction	
Unit Designation		Schedule No.	
<b>GENERAL FEATURES</b> -Compact and Quiet Design -High Efficiency - 16 SEER -DC Inverter Technology -Wireless Remote with LCD Display -Low Ambient Cooling -Comfortable Sleep Mode -Intelligent Defrost -5 year Limited Parts Warranty -7 year Limited Compressor Warranty		 <p>AHRI Certified Ref No: 8236251</p>	
System Ratings		Indoor Unit Data	
<b>Cooling</b> Rated Capacity 18,000 BTU/H Capacity Range 4,500-21,000 BTU/H Power Input (Max) 2,600 W SEER 16 EER 10		<b>Fan Motor</b> Output Power 20 W FLA 0.3 A  <b>Airflow</b> Cooling Wet (Lo/Hi) 271/471 CFM Heating Dry (Lo/Hi) 282/494 CFM	
<b>Heating at 47° F</b> Rated Capacity 19,200 BTU/H Capacity Range 4,000-23,000 BTU/H Power Input (Max) 2,400 W HSPF 8.5 COP 2.3		<b>Sound Pressure Level</b> Cooling (Lo/Hi) 34/48 db(A) Heating (Lo/Hi) 34/48 db(A)  <b>Dimensions &amp; Weights</b> Unit Dimensions (LxHxD) 34.0 x 12.0 x 8.5-in Weight (Net/Shipping) 27/35 LBS	
<b>Heating at 17° F</b> Rated Capacity 13,600 BTU/H Capacity (Max) 15,905 BTU/H Power Input (Max) 1,660 W COP 2.1		Outdoor Unit Data	
<b>Operating Range</b> Cooling (Max) 109°F (43 C) (Min) 5°F (-15 C) Heating (Max) 75°F (24 C) (Min) 5°F (-15 C)		<b>Compressor</b> DC Inverter Driven Rotary <b>Refrigerant Type</b> R410A <b>Fan Motor</b> Output Power 60 W FLA 0.6 A  <b>Sound Pressure</b> Cooling 56 db(A) Heating 56 db(A)  <b>Dimensions &amp; Weights</b> Unit Dimensions (LxHxD) 37.6 x 27.6 x 15.6-in Weight (Net/Shipping) 106/117 LBS	
<b>Power Supply</b> Normal Operational Voltage 208/230 V, 1 Phase, 60 Hz Voltage Range 187 - 253 V Main Power Wire Size 10-2 AWG Interconnecting Cable Wire Size 14-4 AWG MCA 15.0 A MOCP/Breaker Size 25 A		<b>Refrigerant Piping Data</b> Gas Pipe Size (OD) 1/2-in Liquid Pipe Size (OD) 1/4-in Connection Method Flared MAX Refrigerant Pipe Length 82-ft MIN Refrigerant Pipe Length 10-ft MAX Refrigerant Pipe Height Difference 33-ft	
			
			
			

**EXTENDED RATINGS**

**COOLING PERFORMANCE**

Outdoor Ambient Temperature (DB)	Indoor Entering Air Temperatures (DB) 50% RH					
	62 F		67 F		72 F	
	TC	SHC	TC	SHC	TC	SHC
25 F	22,145	16,443	23,936	17,330	25,587	18,422
35 F	21,641	16,423	23,047	16,825	24,167	17,473
45 F	20,572	15,799	22,000	16,324	23,571	17,089
55 F	19,805	15,329	21,119	15,839	22,640	16,528
65 F	19,130	14,864	21,049	15,977	22,320	16,316
75 F	18,378	14,371	19,800	15,226	21,296	15,716
85 F	17,640	14,006	18,900	14,591	20,520	15,329
95 F	16,740	13,375	18,000	14,382	19,692	14,789
105 F	15,840	12,862	17,060	13,614	18,540	14,239
115 F	14,939	12,309	15,839	12,829	16,919	13,248

**HEATING PERFORMANCE**

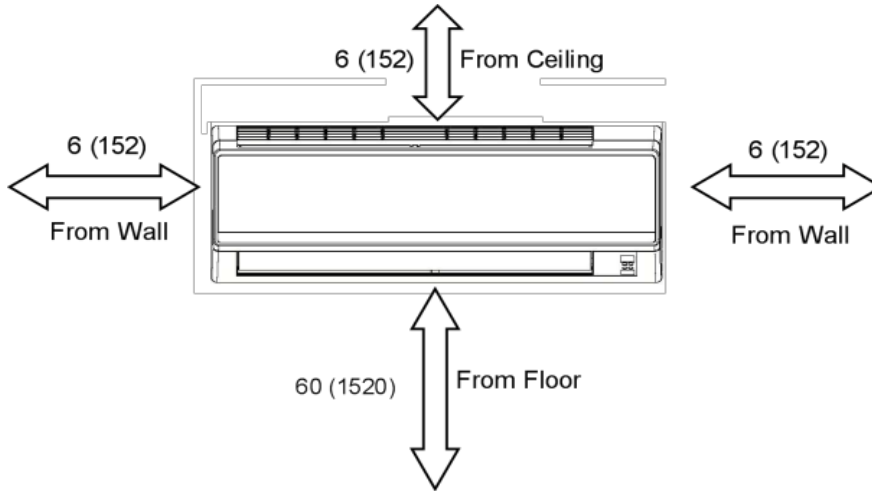
Outdoor Ambient Temperature (DB) (80% RH)	Indoor Entering Air Temperatures (DB)					
	65 F		70 F		75 F	
	TC	SHC	TC	SHC	TC	SHC
5 F	15,978	15,978	15,080	15,080	14,710	14,710
15 F	17,079	17,079	15,581	15,581	15,488	15,488
25 F	18,121	18,121	17,200	17,200	16,221	16,221
35 F	19,133	19,133	17,709	17,709	16,966	16,966
45 F	20,133	20,133	19,450	19,450	18,272	18,272
55 F	20,160	20,160	19,577	19,577	18,720	18,720
65 F	20,064	20,064	19,771	19,771	19,162	19,162

TC- Total Capacity ( BtuH)

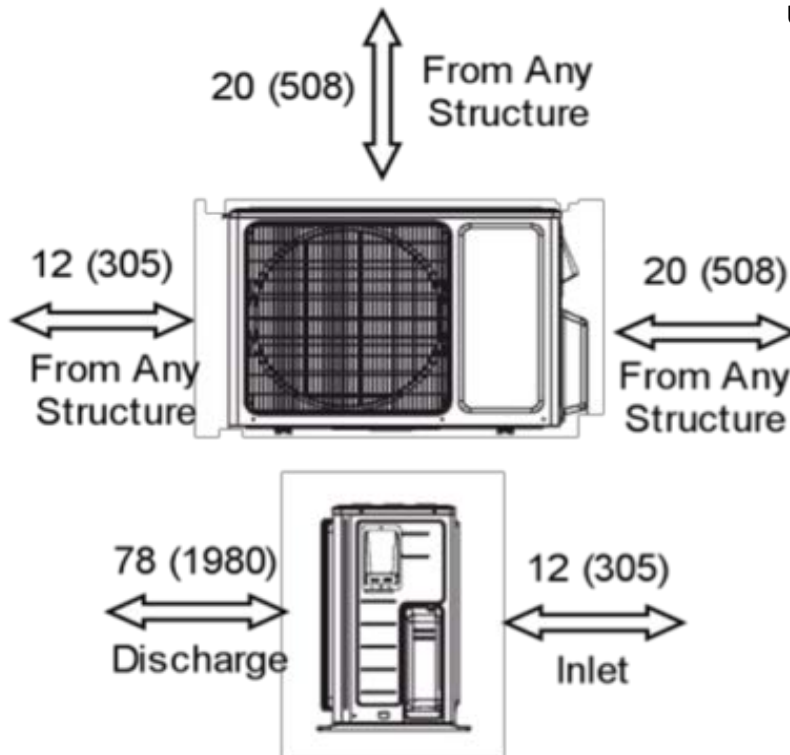
SHC- Sensible Capacity (BtuH)

**MINIMUM SPACING REQUIREMENTS**

Units: inch (mm)



Units: inch (mm)

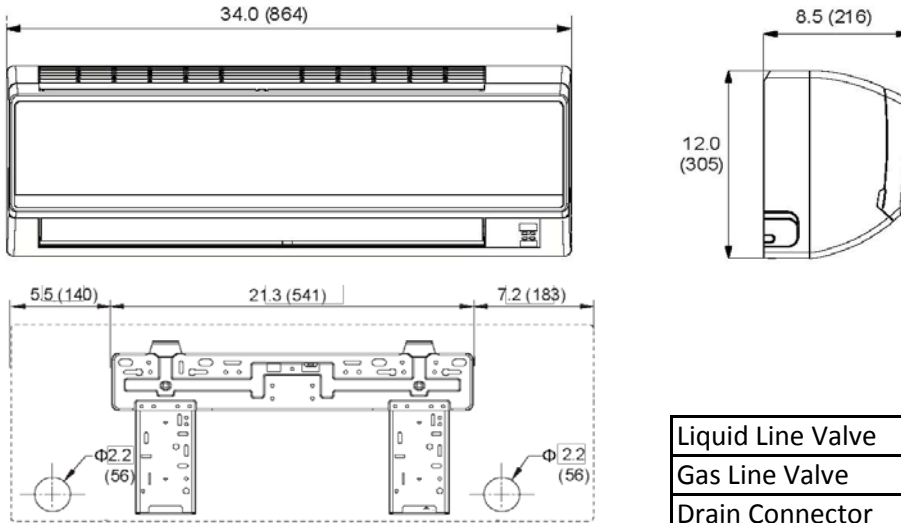


## DIMENSIONAL SPECIFICATIONS

RIO18HP230V1B

### INDOOR UNIT DIMENSIONS

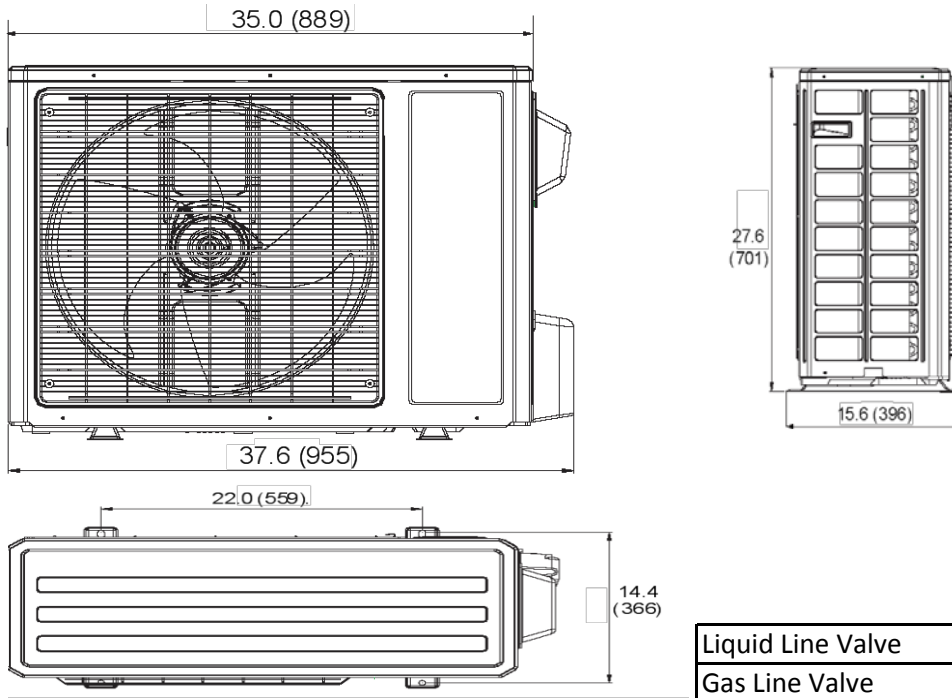
Units: inch (mm)



Liquid Line Valve	1/4-in OD Flared
Gas Line Valve	1/2-in OD Flared
Drain Connector	5/8-in OD

### OUTDOOR UNIT DIMENSIONS

Units: inch (mm)



Liquid Line Valve	1/4-in OD Flared
Gas Line Valve	1/2-in OD Flared

**Notes:**

1. Recommended Interconnecting Cable Type Stranded Bare Copper Conductors THHN 600V Wire
2. Power wiring cable size must comply with applicable national and local codes.
3. Test conditions are based on AHRI 210/240.



[www.greecomfort.com](http://www.greecomfort.com)

Specifications are subject to change without notice. Manufacturer reserves the right to discontinue or modify specifications or designs without notice or without incurring obligations. All rights reserved.