



SUBMITTAL DATA: 3VIR12HP230V1A

12000 BTU/H Cassette Heat Pump System

Job Name	Location	Date
Purchaser	Engineer	
Submitted To	For	
Unit Designation	Schedule No.	

YT1F / XK19

CAS12HP230V1BC

3VIR12HP230V1AO



GENERAL FEATURES

AHRI Certificate: [207201628](#)

High Efficiency DC Inverter Technology

Compact and Quiet Design

4 - Way Discharge Air

Internal Condensate Drain Pump

Wireless Remote with LCD Display Included

XK19 Wired Controller Included

Low Ambient Cooling down to -20°F (Range -20°F to 122°F)

Low Ambient Heating down to -22°F (Range -22°F to 86°F)

*** (Blue Fin) 500 Hrs Salt Spray Tested**

5 Year Limited Compressor & Parts Warranty (Residential Only)

SPECIFICATIONS

3VIR12HP230V1A

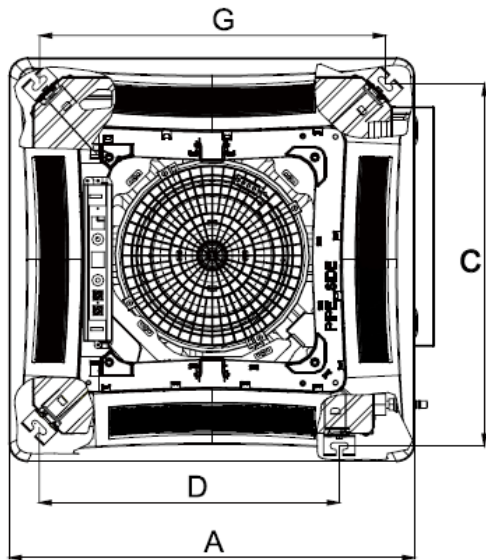
System Type		HEAT PUMP	
SYSTEM PERFORMANCE			
Cooling	Rated Capacity @ 95°F	Btu/h	12000
	Min-Max Capacity	Btu/h	900 - 14100
	Rated Power Input (Min - Max)	W	
Heating	Rated Capacity @ 47°F	Btu/h	12000
	Rated Capacity @ 17°F	Btu/h	6900
	Min-Max Capacity	Btu/h	900 - 15500
	Rated Power Input (Min - Max)	W	
SEER / EER		24 / 13	
HSPF / COP		11.3 / 4.0	
Energy Star®		YES	
Cooling Temperature Range		°F	-20 - 122
Heating Temperature Range		°F	-22 - 86
INDOOR UNIT			
Fan Motor Output Power		W	45
Fan Motor FLA		amps	0.5
Air Flow (Min - Max)		CFM	265 - 383
Sound Pressure Level (Cooling / Heating)		dB(A)	34 - 44
Dehumidification		pt/hr	2.96
Condensate Drain Size (OD)		in	1
Unit Dimension (WxHxD)		in	23 1/2 X 23 1/2 X 9 1/2
Package Dimension (WxHxD)		in	30 1/2 X 29 X 11 1/4
Weight (Net / Gross)		lbs	44 / 53
OUTDOOR UNIT			
Compressor Type		G-10 / 1-Stage Inverter	
Compressor RLA		amps	6.6
Fan Motor Output Power		W	30
Fan Motor RLA		amps	0.37
Sound Pressure Level (Cooling / Heating)		dB(A)	52
Unit Dimension (WxHxD)		in	35 3/8 X 23 1/2 X 14 3/4
Package Dimension (WxHxD)		in	37 1/3 X 25 3/8 X 16 1/2
Weight (Net / Gross)		lbs	83.8/90.4
Refrigerant Charge - R410A		oz	47.3
Coil Type		Aluminum Fin / Copper Tube	
REFRIGERANT PIPING			
Line Set Size (Liquid - Gas)		in	1/4 - 1/2
Pre-Charge Lengh		ft	25
Pipe Length (Min - Max)		ft	10 / 66
Max. Pipe Elevation		ft	33
ELECTRICAL			
Power Supply (Voltage Operating Range)		208-230V / 1Ph / 60Hz	
Rated Current (Cooling / Heating)		amps	4 / 7.5
MCA / MOCP		amps	10 / 15
Main Power Wire Size		AWG	Size Per Local Code
Interconnecting Wire Size		AWG	14 / 4
LIMITED WARRANTY			

FEATURES & FUNCTIONS SUMMARY**3VIR12HP230V1A****SYSTEM FEATURES**

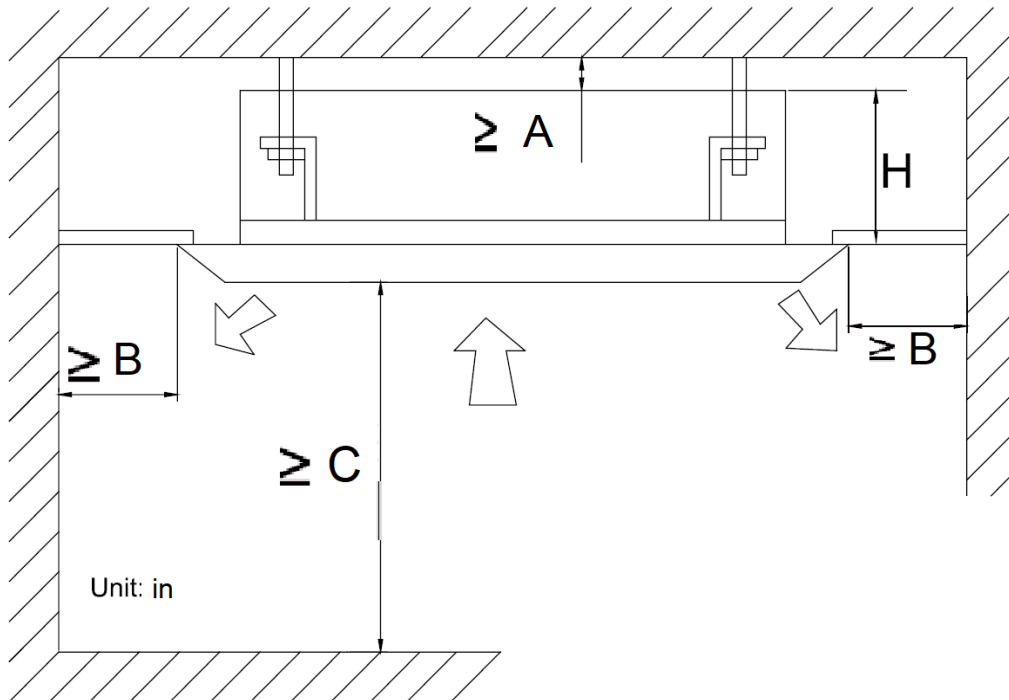
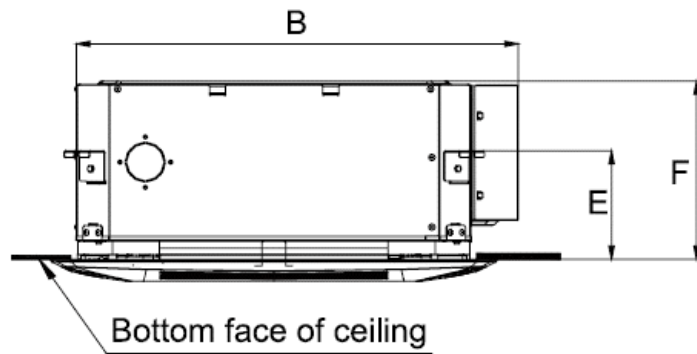
Inverter Type	G10
Ultra Low Frequency Torque Control	Yes
Power Factor Correction	Yes
Compressor Type - Inverter	High Efficiency Rotary
Basepan With Electric Heater	Yes
Indoor & Outdoor Fin Coating	Yes
Intelligent Defrosting	Yes
Intelligent Preheating	Yes
Low Voltage Startup	Yes
Memory/Power Failure Recovery	Yes
Self Diagnosis	Yes
Wired Controller Interface	Yes
WiFi Included	No
Indoor Fan Type	Centrifugal
Multi Fan Speeds	4 Speeds
Indoor Unit Display	Yes
Auxiliary Electrical Heater	No
Ventilation (Outdoor Air)	No

REMOTE CONTROLLER FUNCTIONS

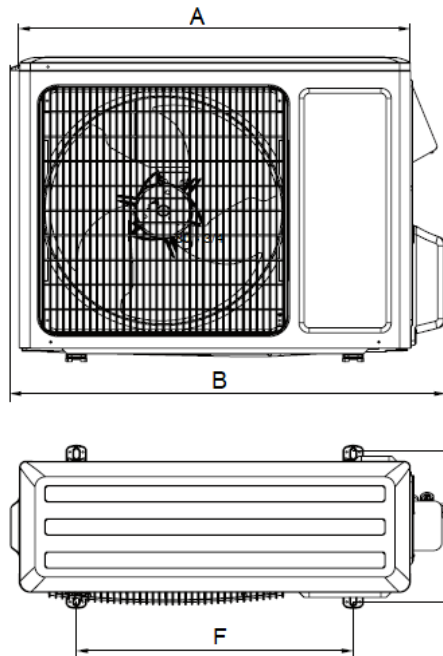
Auto Mode	Yes
Auto Fan	Yes
Auto Swing (Horizontal Auto Swing)	No
Auto Swing (Vertical Auto Swing)	Yes
Clock	Yes
Dry Mode	Yes
Dry Anti-Mildew (X-Fan) Mode	Yes
Energy Saving Mode	Yes
Dirty Filter Alert	No
Fan Speed Control (7 Speeds)	Yes
I Feel Function	Yes
Privacy Lock	Yes
Quiet Mode	No
Room Temperature Display	No
Sleep Mode	Yes
Normal Sleep Mode Option	Yes
Timer Mode	Yes
Turbo Mode	Yes
Display On/Off Control	Yes
Freeze Guard Mode	Yes
Power Failure Mode	Yes



Dimensions	
A	26 3/8
B	26 3/8
C	23 5/8
D	19 1/2
E	5 11/16
F	9 7/16
G	23 1/2

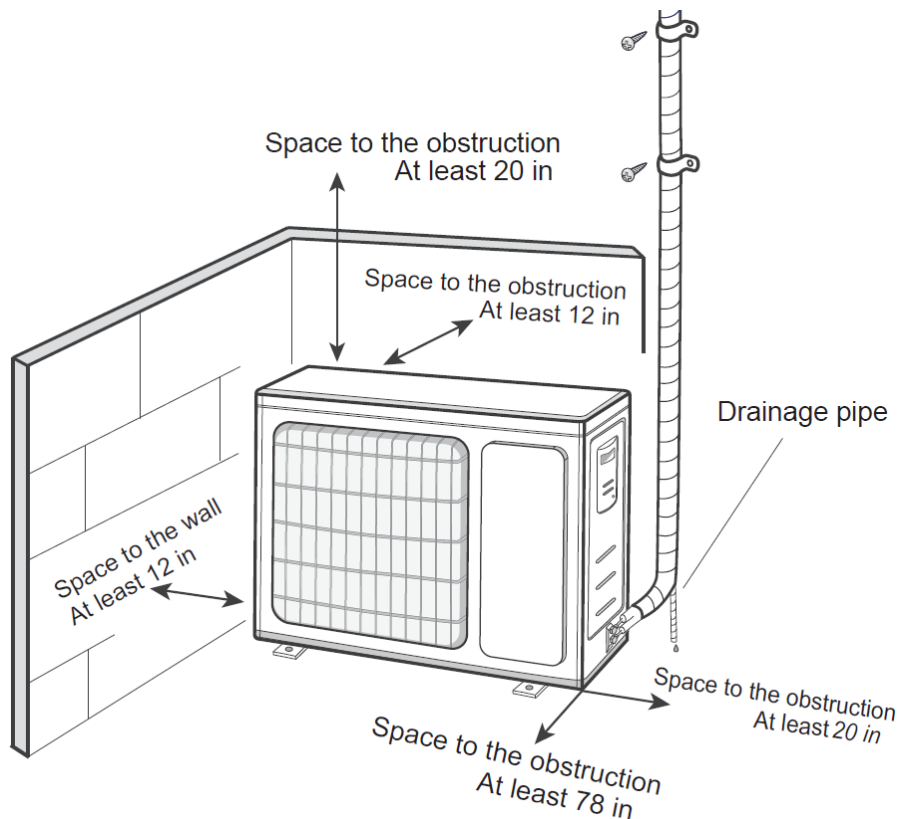


Clearances	
A	7/8
B	60
C	98
H	10



Dimensions	
A	30 3/4
B	33 3/8
C	23 1/2
D	10 1/8
E	12 5/8
F	21 5/16
G	11 5/16

Unit: inch



Specifications are subject to change without notice. Manufacturer reserves the right to discontinue or modify specifications or designs without notice or without incurring obligations. All Rights reserved.