

**Submittal Data:** 7,000 to 15,000 BTU/H 265V Cooling with Electric Heat Models

Job Name	Location	Date
Purchaser	Engineer	
Submitted To	For	<input type="checkbox"/> Reference <input type="checkbox"/> Approval <input type="checkbox"/> Construction
Unit Designation	Schedule No.	

**GENERAL FEATURES**

- Standard Size (42-in x 16-in)
- IR Remote Control
- Wall Thermostat Interface
- LCDI Power Cord
- Condensate Slinger Ring Disposal
- Fresh Air Ventilation up to 60 CFM
- Dry Mode
- 5 year Limited Warranty**



**Performance Specifications**

MODEL NUMBER	CAPACITY (Btuh)		HEATER KW	EER	DEHUMIDIFICATION (Pints/Hr)	SENSIBLE HEAT FACTOR	INDOOR FAN CFM (Hi Speed)	
	Cooling	Heating						
		Rev. Cycle						Electric
ETAC-07HC265V20A-A	7,700	N/A	10,200	3.0	12.0	1.7	84%	294
ETAC-09HC265V20A-A	9,000	N/A	10,200	3.0	11.3	2.1	81%	300
ETAC-12HC265V20A-A	12,000	N/A	10,200	3.0	10.7	2.7	67%	310
ETAC-12HC265V30A-A	12,000	N/A	17,000	5.0	10.7	2.7	67%	310
ETAC-15HC265V20A-A	15,000	N/A	10,200	3.0	9.8	3.5	65%	320
ETAC-15HC265V30A-A	15,000	N/A	17,000	5.0	9.8	3.5	65%	320

**Electrical Specifications**

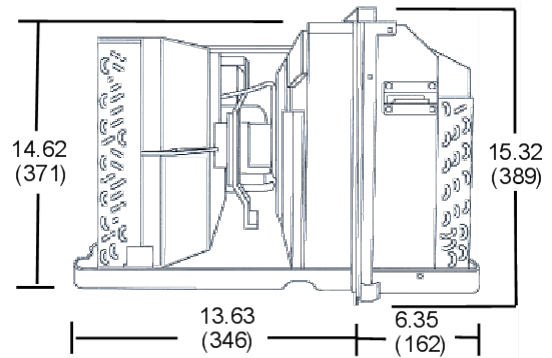
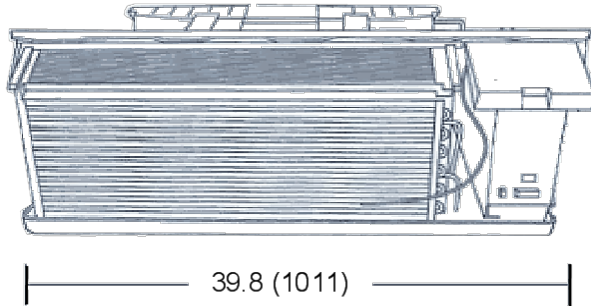
MODEL NUMBER	VOLTAGE RANGE	INPUT POWER ( WATTS)		CURRENT (AMPS)		MAX FUSE SIZE (Amps)	MIN. CIRCUIT AMP	RECEPTACLE CONFIG
		Cooling	Heating	Cooling	Heating**			
ETAC-07HC265V20A-A	239-292	640	3,000	2.4	11.3	20	16.5	NEMA 7-15R
ETAC-09HC265V20A-A	239-292	800	3,000	3.2	11.3	20	16.5	NEMA 7-15R
ETAC-12HC265V20A-A	239-292	1,120	3,000	4.6	11.3	20	16.5	NEMA 7-15R
ETAC-12HC265V30A-A	239-292	1,120	5,000	4.6	18.9	30	27.2	NEMA 7-15R
ETAC-15HC265V20A-A	239-292	1,120	3,000	5.9	11.3	20	16.5	NEMA 7-15R
ETAC-15HC265V30A-A	239-292	1,530	5,000	5.9	18.9	30	27.2	NEMA 7-15R

\*\*Electric resistance heater power and fan motor power.



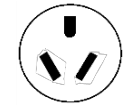
## DIMENSIONAL SPECIFICATIONS

Units: inch (mm)



MODEL NUMBER	VOLTAGE	ELECTRIC HEATER	RECEPTACLE TYPE
ETAC-07HC265V20A-A	265v	3KW	B
ETAC-09HC265V20A-A	265v	3KW	B
ETAC-12HC265V20A-A	265v	3KW	B
ETAC-12HC265V30A-A	265v	5KW	C
ETAC-15HC265V20A-A	265v	3KW	B
ETAC-15HC265V30A-A	265v	5KW	C

### Receptacle Configurations



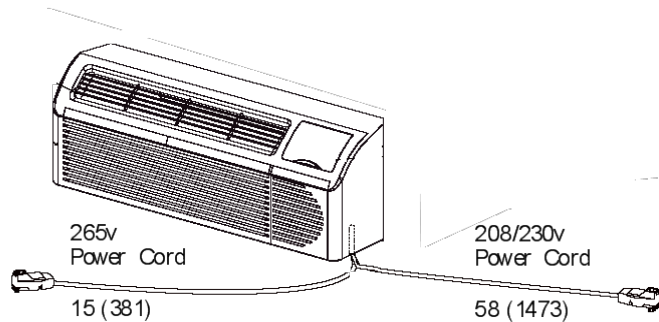
A



B



C



Units: inch (mm)

### Accessories:

SLEEVE-INSUL-1PK	Wall Sleeve Polymer Insulated (42x16x14)
GRILLE-ALU-CLEAR	Aluminum Architectural Rear Grille -Clear
GRILLE-PLA-BEIGE	Polymer Architectural Rear Grille -Beige
GRILLE-ALU-STAMP	Stamped Aluminum Grille 42 x 16 -Clear
DRAIN-KIT-1PK	Condensate Drain Kit 1 per pack
PTAC-SUBBASE-A	Universal Subbase
TT-N-631W	Digital Wireless Wall Thermostat
HARDWIRE-KIT-265V	Conduit/Hardwire Power Connection Kit
PTAC-REC265V20-A	265v 20A Subbase Receptacle Modules
LATERAL-DUCT	Heat & Cool Two Rooms With One ETAC unit

See ETAC  
Product Catalog  
For Additional  
Accessories

#### Notes:

1. Rated in accordance with ARI Standard 380-93.



Specifications are subject to change without notice. Manufacturer reserves the right to discontinue or modify specifications or designs without notice or without incurring obligations. All rights reserved.