



# PTAC2 - COOLING w/ Electric Heat Version



**Submittal Data:**  
**PTAC2 With Universal Heater - 7,000 to 15,000 Cooling w/ Electric Heating Models (Power Cord Required)** **208/230 & 265 Voltage**

Job Name	Location	Date
Purchaser	Engineer	Phone
Submitted To	For <input type="checkbox"/> Reference <input type="checkbox"/> Approval <input type="checkbox"/>	<input type="checkbox"/> New Construction <input type="checkbox"/> Renovation Project
Unit Designation	Schedule No.	

- GENERAL FEATURES**
- Industry Standard Size 42" x 16" - Designed to easily install in most standard wall sleeve (Contractor must verify)
  - Condenser Coils are coated with a corrosion resistant epoxy resin providing enhanced resistance to acidic and salt air conditions.
  - Electronic Touch Pad - IR Remote Control (Optional) - Dry Mode
  - Wired, Wireless Wall Thermostat & Energy Management System Interface - New R32 Refrigerant
  - LCDI Power Cord (208/230V Only)
  - Condensate Slinger Ring Disposal
  - Separate Multi-Speed Indoor & Outdoor Fan Motors
  - Industry's Longest Standard Warranty, 5 Year Limited Warranty (See Product Catalog For Details)



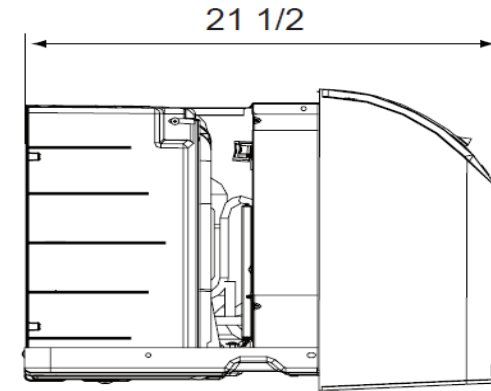
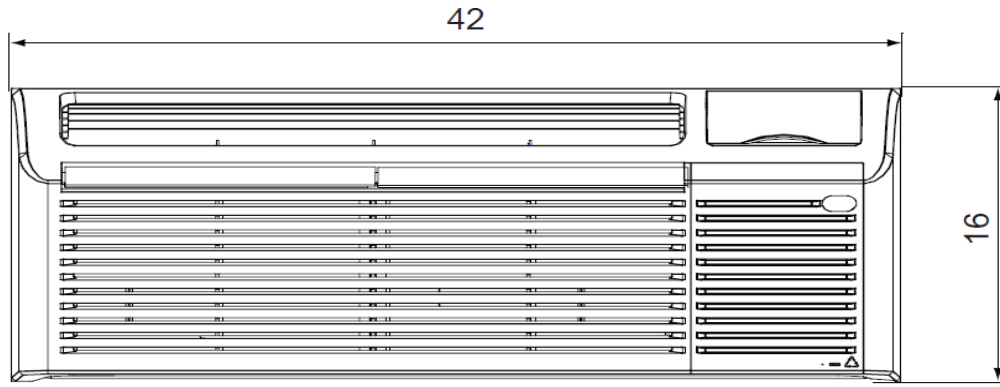
**Performance Specification**

Model Number	Capacity (BTU/H)					Dehumi - dification (Pints/Hr)	Energy Efficiency Ratio (EER)	COP	Sensible Heat Factor	Indoor Fan CFM (Hi/Low)	AHRI Certification Number
	Cooling	Heating	Universal Electric Heating								
			2.45 KW	3.45 KW	5.0 KW						
<b>*Capacity at 230V if Dual Voltage</b>											
<b>208/230 Volt</b>											
GAE07AED6NRNB5DCP	7,200/7,400*	-	6,200/7,600*	8,700/10,700*	-	1.69	13.3	-	86%	312/282	212255415, 212255416
GAE09AED6NRNB5DCP	9,900/10,200*	-	6,200/7,600*	8,700/10,700*	-	2.11	12.5	-	85%	329/294	212255420, 212255421
GAE12AED6NRNB5DCP	12,100/12,300*	-	6,200/7,600*	8,700/10,700*	12,600/15,500*	2.75	11.6	-	75%	341/306	212255425, 212255426, 212255427
GAE15AED6NRNB5DCP	14,300/14,700*	-	6,200/7,600*	8,700/10,700*	12,600/15,500*	3.17	10.4	-	67%	341/306	212255432, 212255433, 212255436
<b>265 Volt</b>											
GAE07AEP6NRNB5DCP	7,500	-	7,600	10,700	-	1.69	13.0	-	86%	312/282	212255417, 212255419
GAE09AEP6NRNB5DCP	10,000	-	7,600	10,700	-	2.11	12.1	-	85%	329/294	212255422, 212255424
GAE12AEP6NRNB5DCP	12,300	-	7,600	10,700	15,500	2.75	11.6	-	75%	341/306	212255428, 212255429, 212255431
GAE18AEP6NRNB5DCP	14,800	-	7,600	10,700	15,500	3.17	10.4	-	67%	341/306	212255437, 212255438, 212255439

**Electrical Specification**

Model Number	Voltage Range	Input Power (Watts)					Current (Amps)					Max Fuse Size (Amps) (Based on Power Cord Selection)
		Cooling	Heating	Universal Electric Heating			Cooling	Heating	Universal Electric Heating			
				2.45 KW	3.45 KW	5.0 KW			2.45 KW	3.45 KW	5.0 KW	
<b>208/230 Volt</b>												
GAE07AED6NRNB5DCP	187-253	560/570	-	2,010/2450	2,830/3450	-	2.6/2.4	-	9.7/10.7	13.6/15.0	-	15, 20
GAE09AED6NRNB5DCP	187-253	780/800	-	2,010/2450	2,830/3450	-	3.9/3.6	-	9.7/10.7	13.6/15.0	-	15, 20
GAE12AED6NRNB5DCP	187-253	1,000/1,040	-	2,010/2450	2,830/3450	4,090/5000	4.9/4.6	-	9.7/10.7	13.6/15.0	19.7/21.8	15, 20, 30
GAE15AED6NRNB5DCP	187-253	1,360/1,400	-	2,010/2450	2,830/3450	4,090/5000	6.5/6.0	-	9.7/10.7	13.6/15.0	19.7/21.8	15, 20, 30
<b>265 Volt</b>												
GAE07AEP6NRNB5DCP	239-292	560	-	2,450	3,450	-	2.1	-	9.3	13.1	-	15, 20
GAE09AEP6NRNB5DCP	239-292	810	-	2,450	3,450	-	3.1	-	9.3	13.1	-	15, 20
GAE12AEP6NRNB5DCP	239-292	1,030	-	2,450	3,450	5,000	4.0	-	9.3	13.1	18.9	15, 20, 30
GAE18AEP6NRNB5DCP	239-292	1,390	-	2,450	3,450	5,000	5.3	-	9.3	13.1	18.9	15, 20, 30

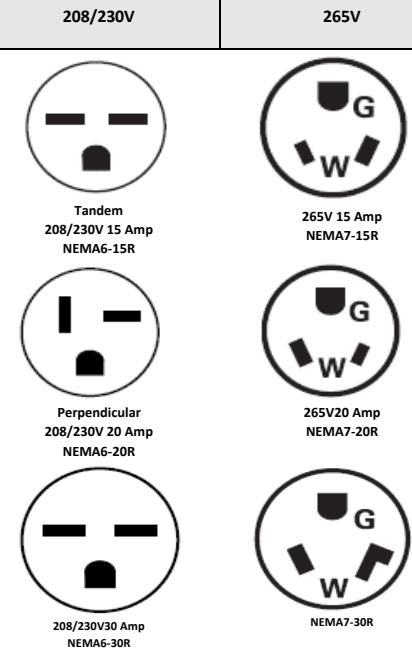
### Dimensional Specifications



### Universal Power Cord Selection

Model Number	Voltage	Breaker Size	Electric Heater KW	Minimum Circuit Amperity	Receptacles Type	NEMA Number
E2CORD-230V15A	208/203	15	2.45	14	Tandem	6-15P
E2CORD-230V20A	208/203	20	3.45	19	Perpendicular	6-20P
E2CORD-230V30A	208/203	30	5.0	28	Large Tandem	6-30P
E2CORD-265V15A	265	15	2.45	12	265V 15 Amp	7-15P
E2CORD-265V20A	265	20	3.45	17	265V 20 Amp	7-20P
E2CORD-265V30A	265	30	5.0	24	265V 30 Amp	7-30P

### Receptacle Configuration



### Accessories

PTAC-SLEEVE-SE-INS	Standard Sleeve Metal Insulated (42"W x 13-3/4"D x 16"H)
WALL-SLEEVE-1PK	Standard Wall Sleeve Polymer Non-Insulated (42"W x 13-3/4"D x 16"H)
SLEEVE-INSUL-1PK	Standard Wall Sleeve Polymer Insulated (42"W x 14-3/4"D x 16"H)
PTAC-SUBBASE-A	Non-Electrical Subbase [Electrical Components Available]
GRILLE-ALU-CLEAR	Aluminum Architectural Louvered Grille - Clear [Additional Colors Available]
GRILLE-PLA-ALPIN	Polymer Architectural Louvered Grille - Alpine Beige (matches wall sleeve) [Additional Colors Available]
GRILLE-ALU-STAMP	Stamped Aluminum Grille - Clear
DRAIN-KIT-1PK	Internal & External Condensate Drain Kits
TP-N-631W	Wireless Wall Thermostats 2 Fan Speed (Non-Programmable)
TP-N-631	Wired Wall Thermostats 2 Fan Speed (Non-Programmable)

Please refer to PTAC2 accessory catalog for complete line of accessories



Specifications are subject to change. Manufacturer reserves the right to discontinue or modify specification or design without notice or without incurring obligation. All rights reserved.