

SUBMITTAL DATA

FLR24HP230V1BF / 3VIR24HP230V1BO
24000 BTU/H Floor/Ceiling Heat Pump System

Job Name

Location

Date

Purchaser

Engineer

Submitted to

For

Unit Designation

Schedule No.



YAP1FB2F



FLR24HP230V1BF



3VIR24HP230V1BO



XE72

GENERAL FEATURES

- AHRI Certificate: [211726660](#)
- Quiet Operation and Multi-Speed Fan
- Floor Stand or Ceiling Mount
- Multi-Directional Air Flow
- Wireless Remote with LCD Display Included
- XE72 Wi-Fi Wired Controller Included
- Low Ambient Cooling down to -20°F (Range -20°F to 122°F)
- Low Ambient Heating down to -22°F (Range -22°F to 86°F)
- Coil (Indoor and Outdoor) Copper Tube / Aluminum Fin
- Blue Colored Fin - 500 Hrs Salt Spray Tested

SPECIFICATIONS, FEATURES & FUNCTION SUMMARY

SPECIFICATIONS		FLR24HP230V1BF / 3VIR24HP230V1BO	
System Type	HEAT PUMP		
SYSTEM PERFORMANCE			
Cooling	Min - Max	Btu/h	3600 - 26500
	Capacity @95°F	Btu/h	22800
Heating	Min - Max	Btu/h	4000 - 33000
	Capacity @5°F	Btu/h	
	Capacity @17°F	Btu/h	
	Capacity @47°F	W	27400
SEER2	20.0		
EER2	13.1		
HSPF2	9.0		
COP @5°F			
COP @47°F	3.5		
Cooling Temperature Range	°F	-20 - 122	
Heating Temperature Range	°F	-22 - 86	
Refrigerant Type	R410A		
INDOOR UNIT		FLR24HP230V1BF	
Air flow (Min-Max)	CFM	424 - 560	
Sound Pressure Level (Min - Max)	dB(A)	27 - 38	
Dehumidification	pt/hr	5.3	
External Dimensions (W x H x D)	in	47-1/4 x 26-1/4 x 9-1/4	
Package Dimension (W x H x D)	in	53-1/2 x 30-1/4 x 11-1/4	
Net Weight	lbs	72.8	
Gross Weight	lbs	88.2	
OUTDOOR UNIT		3VIR24HP230V1BO	
Compressor Type	GREE G-10 / 2 - STAGE INVERTER		
Sound Pressure Level	dB(A)	62	
External Dimensions (W x H x D)	in	39-3/8 x 29-3/8 x 16-13/16	
Package Dimension (W x H x D)	in	42-9/16 x 31-15/16 x 19-1/16	
Net Weight	lbs	125.7	
Gross Weight	lbs	136.7	
REFRIGERANT PIPING			
Refrigerant Charge - R410A	oz	60	
Additional Charge	oz/ft	0.5	
Line Set Size by Indoor Unit (Liquid - Gas)	in	3/8 - 5/8	
Outdoor Service Valve Size (Liquid - Gas)	in	1/4 - 5/8	
Pre-Charge Length	ft	25	
Pipe Length (Min - Max)	ft	10 - 131	
Max. Pipe Elevation	ft	82	
ELECTRICAL			
Power Supply	208-230V / 1Ph / 60Hz (Powered by the Outdoor Unit)		
Voltage Range (Min - Max)	VAC	187 - 253	
Rated Current - Cooling	A	15.3	
Rated Current - Heating	A	13.5	
MCA	A	16	
MOCP	A	25	
Suggested Breaker Size	A	20	
Main Power Wire Size	AWG	Per Local Code	
Interconnecting Wire Size	AWG	14 / 4	

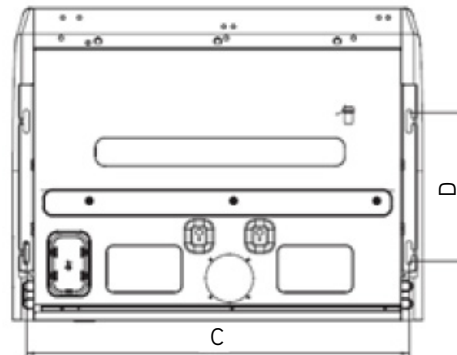
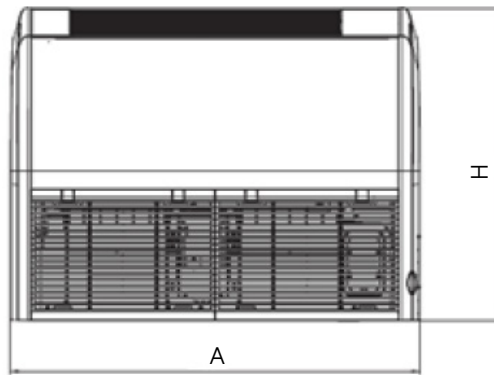
FEATURES & FUNCTIONS SUMMARY		FLR24HP230V1BF / 3VIR24HP230V1BO	
SYSTEM FEATURES			
Inverter Type	G10		
Ultra Low Frequency Torque Control	Yes		
Power Factor Correction	Yes		
Compressor Type - Inverter	High Efficiency Rotary		
Basepan With Electric Heater	Yes		
Indoor & Outdoor Fin Coating (Blue Fin)	Yes		
Intelligent Defrosting	Yes		
Intelligent Preheating	Yes		
Low Voltage Startup	Yes		
Memory/Power Failure Recovery	Yes		
Self Diagnosis	Yes		
Wired Controller Interface	Yes		
WiFi Included	No		
Indoor Fan Type	Centrifugal		
Multi Fan Speeds	4 Speeds		
Indoor Unit Display	Yes		
Auxiliary Electrical Heater	No		
Ventilation (Outdoor Air)	No		
REMOTE CONTROLLER FUNCTIONS			
Auto Mode	Yes		
Auto Fan	Yes		
Auto Swing (Horizontal Auto Swing)	No		
Auto Swing (Vertical Auto Swing)	Yes		
Clock	Yes		
Dry Mode	Yes		
Dry Anti-Mildew (X-Fan) Mode	Yes		
Energy Saving Mode	Yes		
Dirty Filter Alert	No		
Fan Speed Control (4 Speeds)	Yes		
I Feel Function	Yes		
Privacy Lock	Yes		
Quiet Mode	Yes		
Room Temperature Display	No		
Sleep Mode (Normal Sleep)	Yes		
4 Sleep Mode Options	No		
Timer Mode	Yes		
Turbo Mode	Yes		
Display On/Off Control	Yes		
Freeze Guard Mode	Yes		
Power Failure Mode	Yes		

DIMENSIONS

INDOOR UNIT

Unit: inch

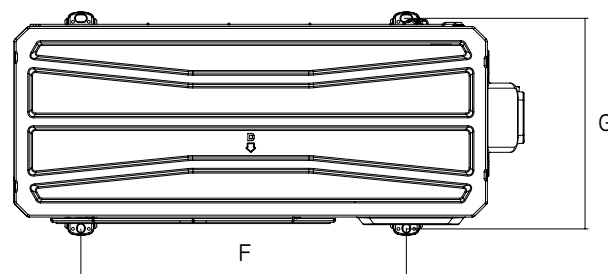
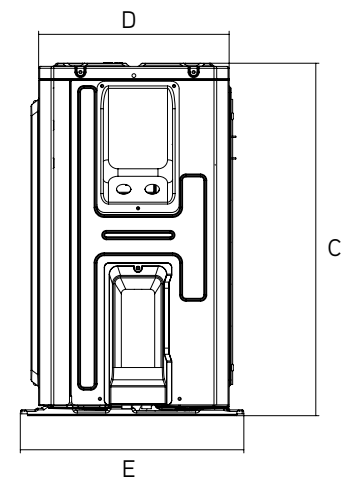
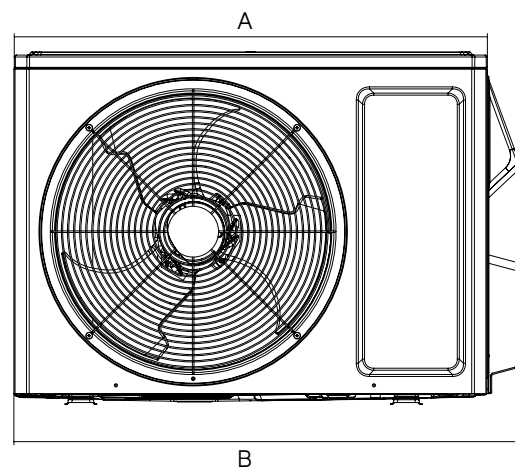
FLR24HP230V1BF	
DIMENSIONS	
A	47-1/4
B	9-1/4
C	45
D	12-1/2
H	26-1/4



OUTDOOR UNIT

Unit: inch

3VIR24HP230V1B0	
DIMENSIONS	
A	36-11/32
B	39-3/8
C	29-3/8
D	14-17/32
E	16-13/16
F	24-1/64
G	15-35/64

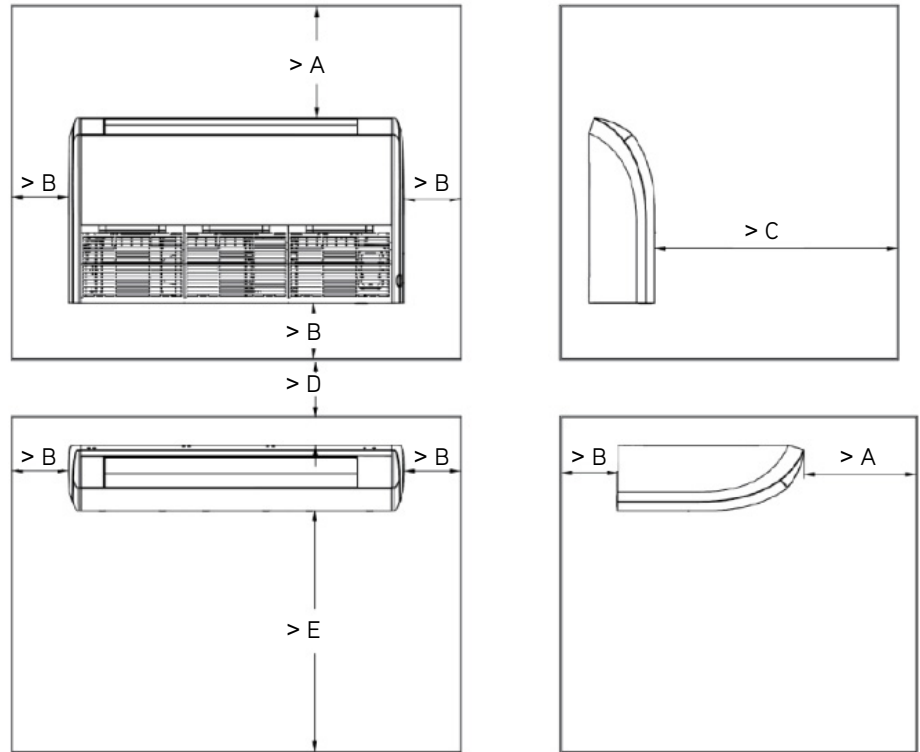


CLEARANCES

INDOOR UNIT

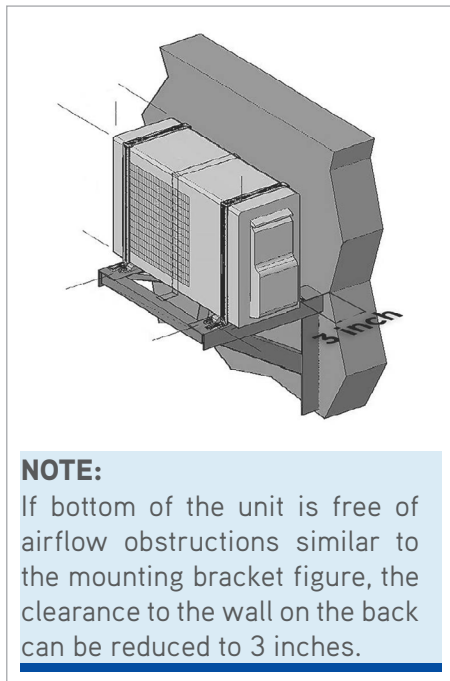
Minimum clearance

DIMENSIONS	
A	60
B	12
C	39
D	6
E	90



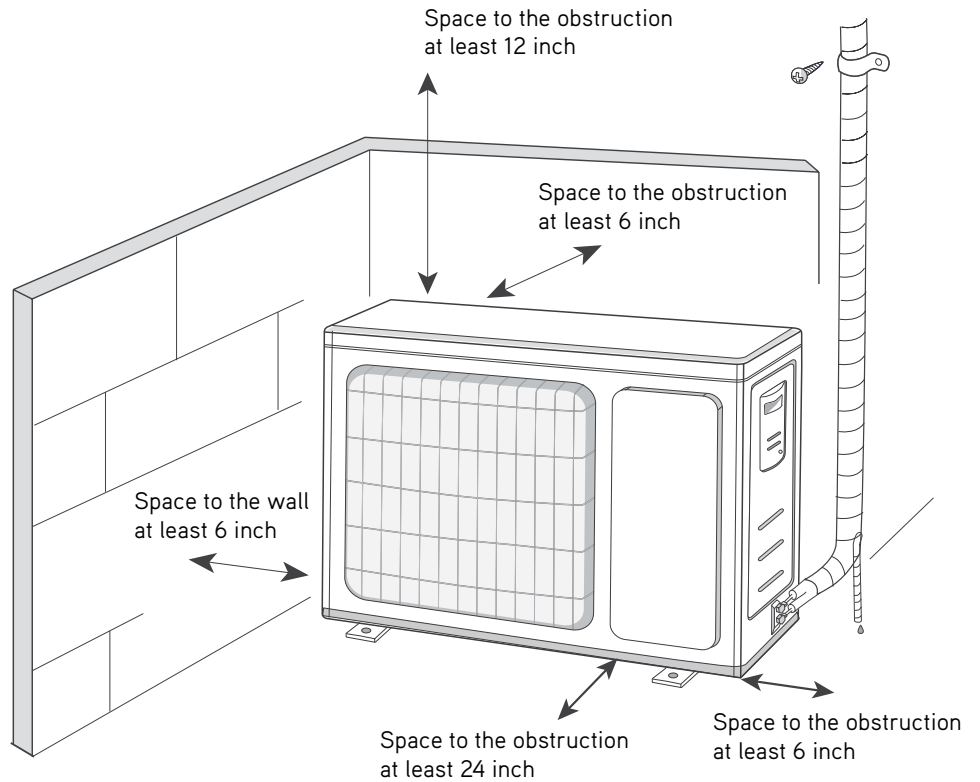
OUTDOOR UNIT

Minimum clearance



NOTE:

If bottom of the unit is free of airflow obstructions similar to the mounting bracket figure, the clearance to the wall on the back can be reduced to 3 inches.



Specifications are subject to change without notice. Manufacturer reserves the right to discontinue or modify specifications or designs without notice or without incurring obligations. All Rights reserved.