



SUBMITTAL DATA: 3VIR18HP230V1AH		18000 BTU/H Wall Mounted	
Job Name	Location	Date	
Purchaser	Engineer		
Submitted To	For		
Unit Designation	Schedule No.		

<b>YAP1F7F</b>	<b>3VIR18HP230V1AH</b>	<b>XE71</b>
----------------	------------------------	-------------



Optional

### GENERAL FEATURES

- AHRI Certificate: See Matching or Paired Outdoor Unit AHRI Certificate**
- High Efficiency DC Inverter Technology**
- Compact and Quiet Design**
- Auto-Clean Function**
- Wireless Remote with LCD Display**
- Wired Controller Options**
- Wi-Fi Included (Factory Installed)**
- Low Ambient Cooling Based on Outdoor Unit Performance**
- Low Ambient Heating Based on Outdoor Unit Performance**

**Coil (Indoor and Outdoor) Copper Tube / Aluminum Fin\*<sup>☒</sup>**

**\* (Blue Fin) 500 Hrs Salt Spray Tested**

**Limited Warranty: 5 Year Parts, 7 Years Compressor - Residential & Commercial**



# SPECIFICATIONS

# 3VIR18HP230V1AH

System Type **HEAT PUMP**

## SYSTEM PERFORMANCE

Cooling	Rated Capacity @ 95°F	Btu/h	See Outdoor Unit Submittals -Connected Unit Capacities
	Min-Max Capacity	Btu/h	5118 - 23202
Heating	Rated Capacity @ 47°F	Btu/h	See Outdoor Unit Submittals -Connected Unit Capacities
	Min-Max Capacity	Btu/h	5800 - 23543
SEER / EER			Based on Outdoor Unit Performance
HSPF / COP			Based on Outdoor Unit Performance
Energy Star®			Based on Outdoor Unit Performance
Cooling Temperature Range		°F	Based on Outdoor Unit Performance
Heating Temperature Range		°F	Based on Outdoor Unit Performance

## INDOOR UNIT **3VIR18HP230V1AH**

Fan Motor Output Power	W	60
Fan Motor FLA	amps	0.25
Air Flow (Min - Max)	CFM	353 - 618
Sound Pressure Level (Cooling / Heating)	dB(A)	31 - 46
Dehumidification	pt/hr	3.8
Condensate Drain Size (OD)	in	5 / 8
Unit Dimension (WxHxD)	in	38 5/8 X 12 1/4 X 8 3/4
Package Dimension (WxHxD)	in	44 7/16 X 16 X 12 3/4
Weight (Net / Gross)	lbs	30 / 35.3

## REFRIGERANT PIPING

Line Set Size (Liquid - Gas)	in	1/4 - 5/8
------------------------------	----	-----------

## ELECTRICAL

Power Supply (Voltage Operating Range)	Powered by Outdoor Unit	
Rated Current (Cooling / Heating)	amps	6 / 12
MCA / MOCP	amps	15 / 20
Main Power Wire Size	AWG	Size Per Local Code
Interconnecting Wire Size	AWG	14 / 4

## LIMITED WARRANTY **5 Years Parts, 7 Years Compressor - Residential & Commercial**

## FEATURES & FUNCTIONS SUMMARY

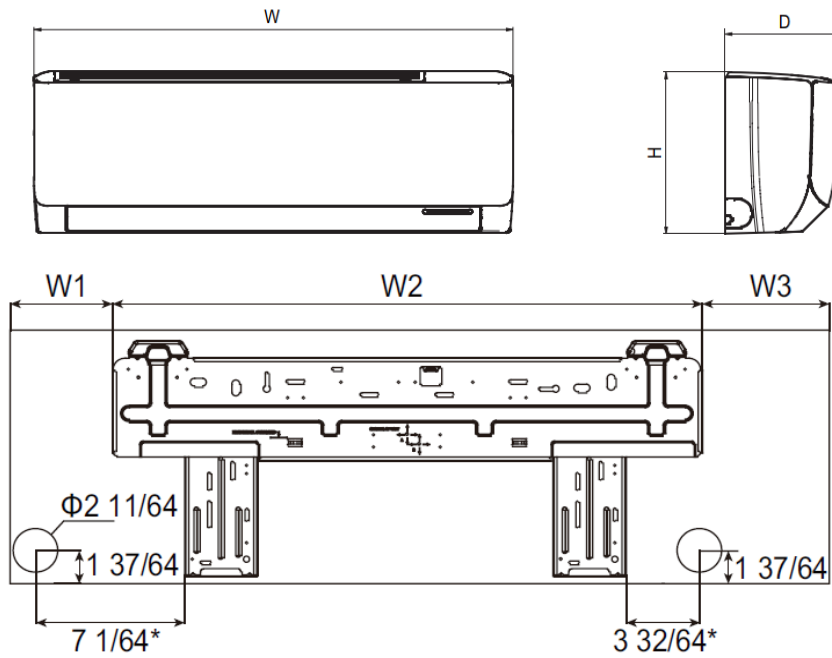
3VIR18HP230V1AH

### SYSTEM FEATURES

Wired Controller Interface (XE71 or XK76 optional)	Yes
WiFi Included	Yes
<b>NEW! Easy Service Access</b>	Yes
Indoor Fan Type	Crossflow
Multi Fan Speeds	7 Speeds
Indoor Unit Display	Yes
Auxiliary Electrical Heater	No
Ventilation (Outdoor Air)	No

### REMOTE CONTROLLER FUNCTIONS

<b>NEW! Auto Clean</b>	Yes
Auto Mode	Yes
Auto Fan	Yes
Auto Swing (Horizontal Auto Swing)	Yes
Auto Swing - 180° (Vertical Auto Swing)	Yes
Clock	Yes
Dry Mode	Yes
Dry Anti-Mildew (X-Fan) Mode	Yes
Energy Saving Mode	Yes
Dirty Filter Alert	No
Fan Speed Control (7 Speeds)	Yes
I Feel Function	Yes
Privacy Lock	Yes
Quiet Mode	Yes
Room Temperature Display	No
Sleep Mode	Yes
3 Sleep Mode Options	Yes
Timer Mode	Yes
Turbo Mode	Yes
Display On/Off Control	Yes
Freeze Guard Mode	Yes
Power Failure Mode	Yes



Dimensions	
W	38 5/8
D	8 3/4
H	12 1/4
W1	4 7/8
W2	27 7/8
W3	6

