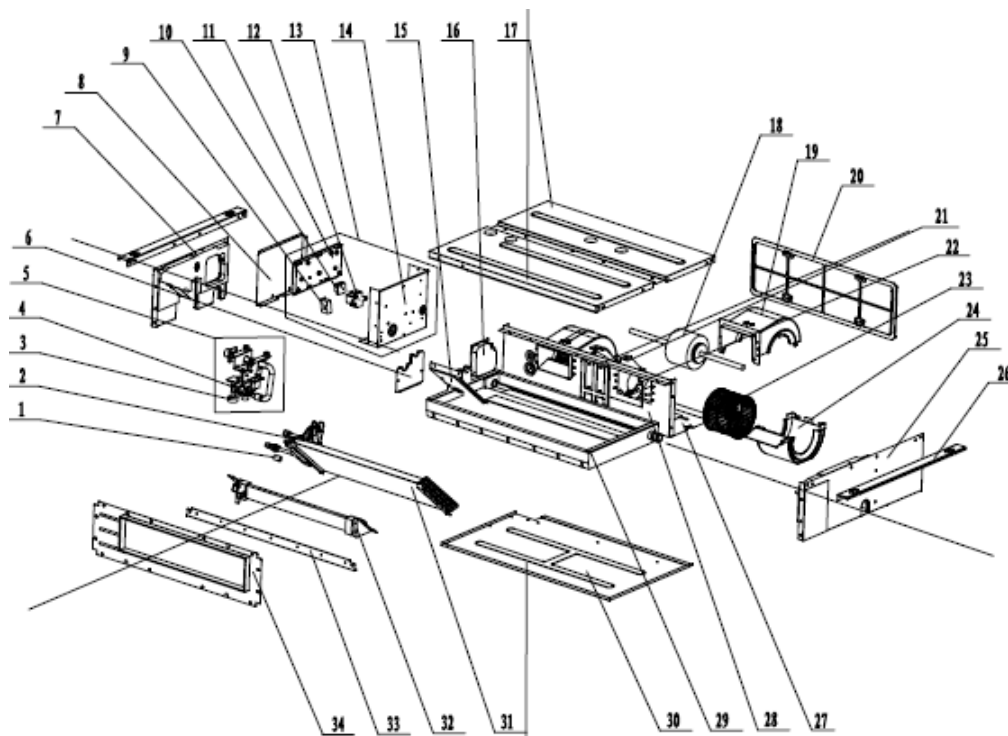


Slim Duct Replacement Parts Catalog



Models:

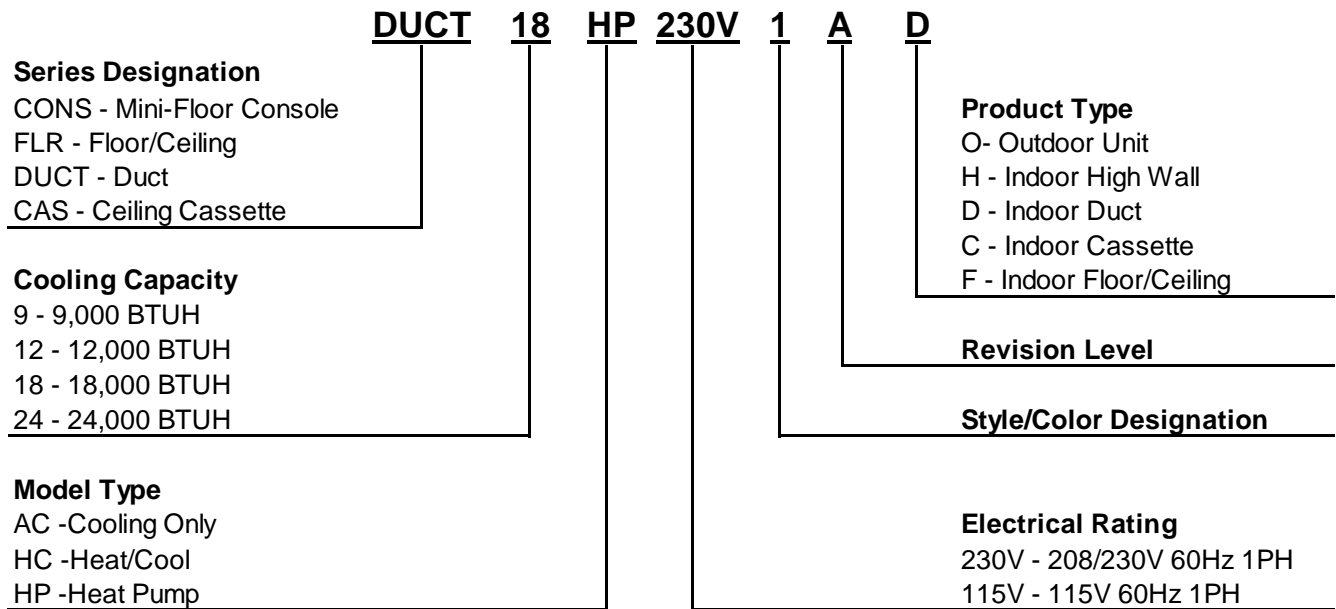
DUCT09HP230V1AD
DUCT12HP230V1AD
DUCT18HP230V1AD
DUCT24HP230V1AD

Table of Contents

Model Number	Description	Page
Nomenclature	Part Number Nomenclature Chart	2
DUCT09HP230V1AD	9,000 BTUH 230v Slim Duct Unit	3
DUCT12HP230V1AD	12,000 BTUH 230v Slim Duct Unit	5
DUCT18HP230V1AD	18,000 BTUH 230v Slim Duct Unit	7
DUCT24HP230V1AD	24,000 BTUH 230v Slim Duct Unit	9

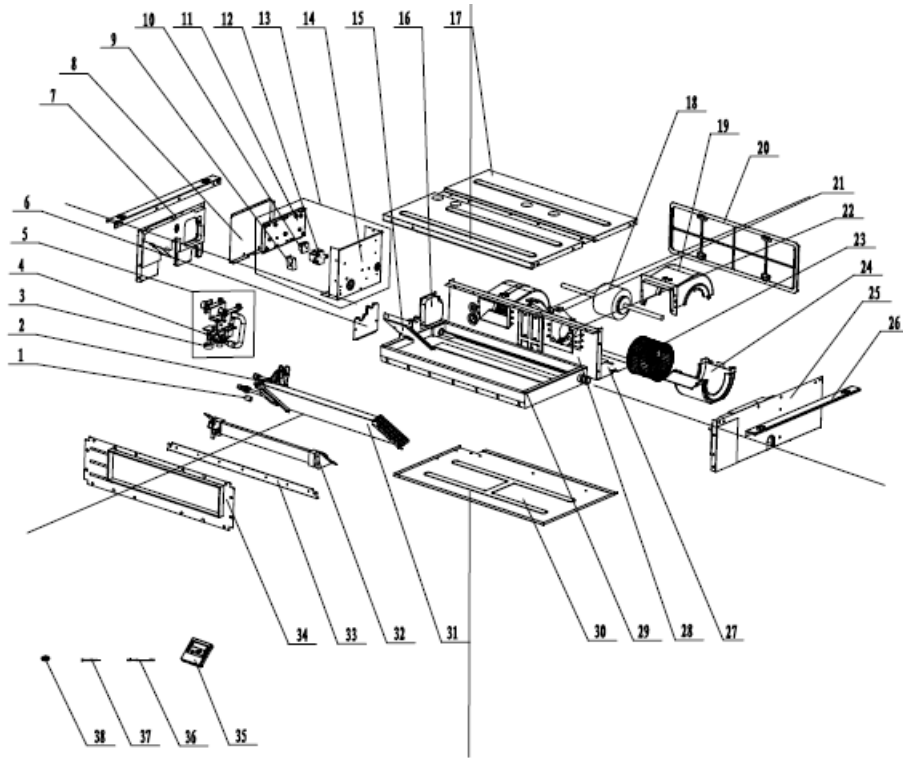
Product Catalog Number-Nomenclature

Example: DUCT18HP230V1AD



DUCT09HP230V1AD

9,000 BTUH 230v Duct



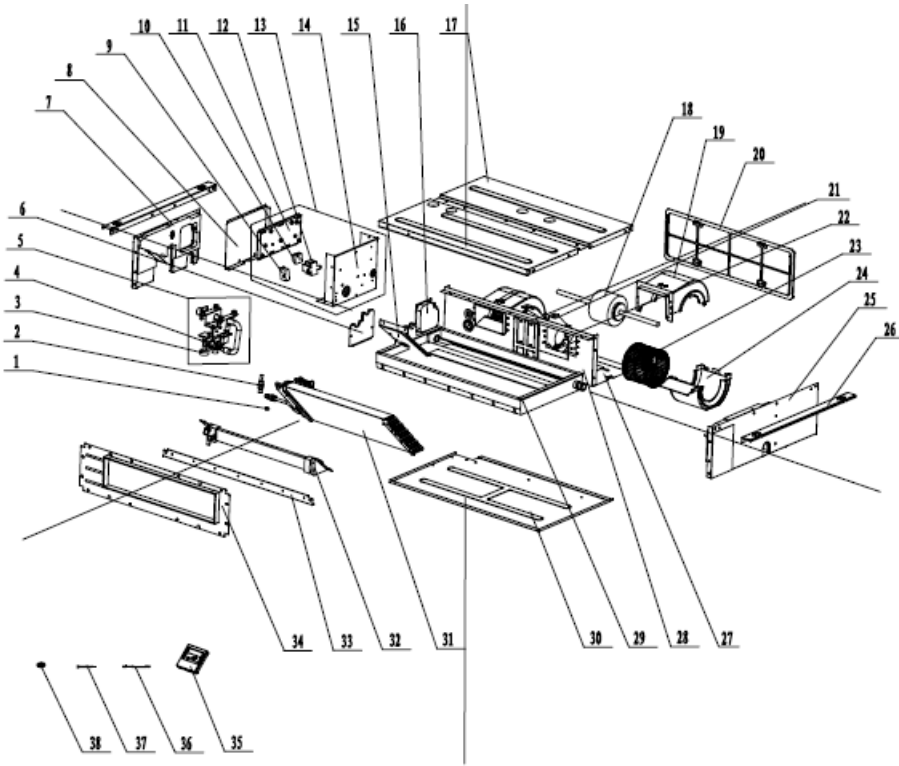
DUCT09HP230V1AD

9,000 BTUH 230v Duct

NO.	Part Code	Part Description	Qty
1	11120012	Ref Filter Sub-Assy	1
2	07212001	Strainer	1
3	45020216	Water Level Switch	1
4	43130324	Water Pump	1
5	15405200082	Water Pump Assy	1
6	01495316	Seal Plate Sub-Assy (Outlet)	1
7	01315334	Left Side Plate Assy	1
8	01424253	Electric Box Cover	1
9	33010020	Capacitor CBB61	1
10	420111041	Terminal Board	1
11	30226338	Main Control Board	1
12	4311023303	Transformer	1
13	01395200034	Electric Box Assy	1
14	01395200071	Electric Box Sub-Assy	1
15	01495317	Seal Plate Sub-Assy (Evaporator)	1
16	01495315	Seal Plate Sub-Assy (Drainage)	1
17	01265200099	Top Cover Board Assy	1
18	1570520102	Fan Motor	1
19	26905205	Front Blower Housing	2
20	11725209	Air Filter	1
21	01804348	Motor Support	1
22	70819522	Bar Clasp	4
23	10425200	Centrifugal Fan	2
24	26905206	Rear Blower Housing	2
25	01315335	Right Side Plate Assy	1
26	01895225	Support	2
27	01265300	Cover board (Fan motor)	1
28	01325200007	Fan Motor Mounting Plate Sub-Assy	1
29	01285332	Condensate Water Tray Assy	1
30	01265299	Bottom Cover Plate	1
31	01025200024	Evaporator Coil Assy	1
32	none	Electric Heater	0
33	01265298	Air Outlet Cover	1
34	01865216	Air Outlet Frame Assy	1
35	MC20700140	Wired Tether Controller	1
36	39000206	Ambient Temperature Sensor	1
37	390001982G	Temperature Sensor	1
38	76815214	Drain Plug	2

DUCT12HP230V1AD

12,000 BTUH 230v Duct



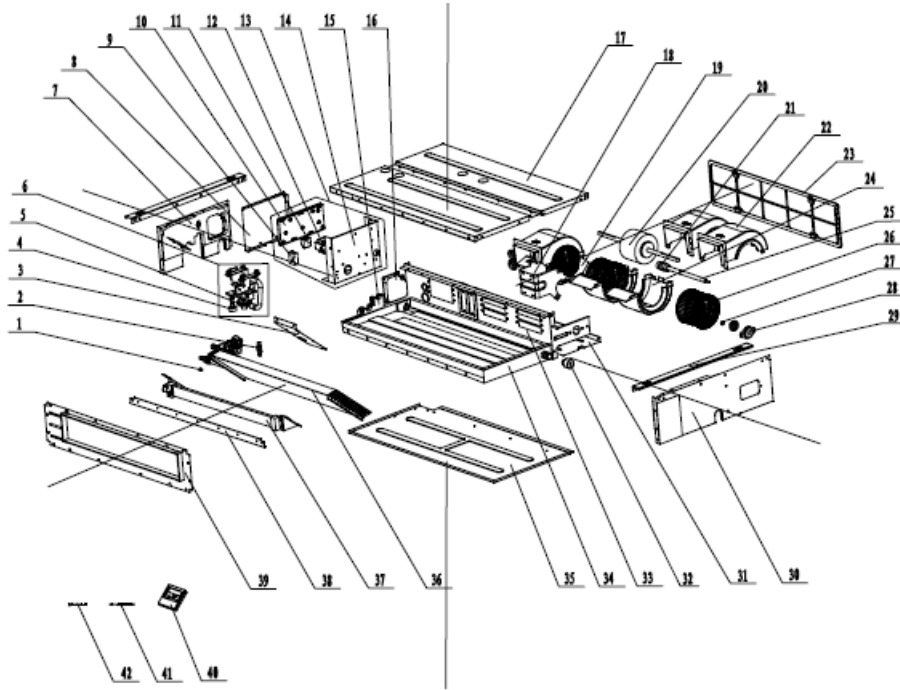
DUCT12HP230V1AD

12,000 BTUH 230v Duct

NO.	Part Code	Part Description	Qty
1	11120012	Ref Filter Sub-Assy	1
2	07212001	Strainer	1
3	45020216	Water Level Switch	1
4	43130324	Water Pump	1
5	15405200082	Water Pump Assy	1
6	01495316	Seal Plate sub-Assy (Outlet)	1
7	01315334	Left Side Plate Assy	1
8	01424253	Electric Box Cover	1
9	33010027	Capacitor CBB61	1
10	420111041	Terminal Board	1
11	30226338	Main Control Board	1
12	4311023303	Transformer	1
13	01395000001	Electric Box Assy	1
14	01395200071	Electric Box Sub-Assy	1
15	01495317	Seal Plate Sub-Assy (Evaporator)	1
16	01495315	Seal Plate Sub-Assy (Drainage)	1
17	01265325	Top Cover Board Assy	1
18	1570520104	Fan Motor	1
19	26905205	Front Blower Housing	2
20	11725209	Air Filter	1
21	01804348	Motor Support	1
22	70819522	Bar Clasp	4
23	10425200	Centrifugal Fan	2
24	26905206	Rear Blower Housing	2
25	01315335	Right Side Plate Assy	1
26	01895225	Support	2
27	01265300	Cover Board (Fan motor)	1
28	01325200007	Fan Motor Mounting Plate Sub-Assy	1
29	01285332	Condensate Water Tray Assy	1
30	01265299	Bottom Cover Plate	1
31	01024905	Evaporator Coil Assy	1
32	none	Electric Heater	0
33	01265298	Air Outlet Cover	1
34	01865216	Air Outlet Frame Assy	1
35	MC20700140	Wired Tether Controller	1
36	39000206	Ambient Temperature Sensor	1
37	390001982G	Temperature Sensor	1
38	76815214	Drain Plug	2

DUCT18HP230V1AD

18,000 BTUH 230v Duct



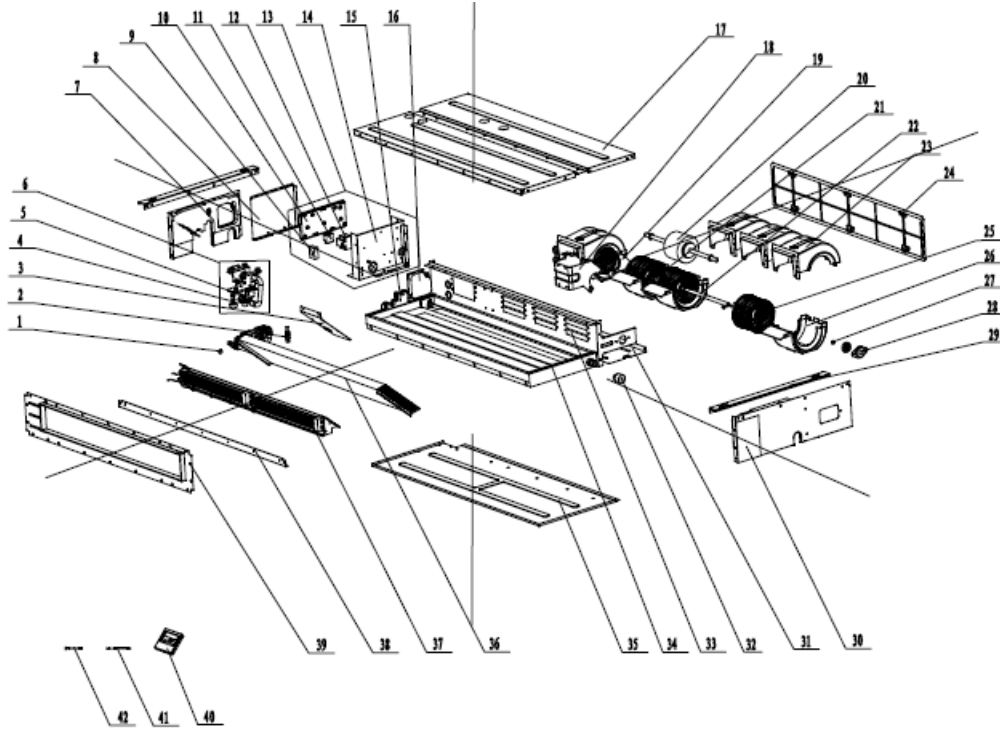
DUCT18HP230V1AD

18,000 BTUH 230v Duct

NO.	Part Code	Part Description	Qty
1	11725210	Ref Filter Sub-Assy	1
2	07414133	Strainer	1
3	01495317	Seal Plate sub-Assy (Evaporator)	1
4	45020216	Water Level Switch	1
5	43130324	Water Pump	1
6	15405200082	Water Pump Assy	1
7	01315334	Left Side Plate Assy	1
8	01424253	Electric Box Cover	1
9	33010027	Capacitor CBB61	1
10	30226338	Main Control Board	1
11	420111041	Terminal Board	1
12	4311023303	Transformer	1
13	01395000001	Electric Box Assy	1
14	01395200071	Electric Box Sub-Assy	1
15	01495316	Seal Plate Sub-Assy (Outlet)	1
16	01495315	Seal Plate Sub-Assy (Drainage)	1
17	01265328	Top Cover Board Assy	1
18	01804348	Motor Support	1
19	70819522	Bar Clasp	4
20	15705218	Fan Motor	1
21	73018731	Joint Slack	1
22	26905205	Front Blower Housing	3
23	11128633	Air Filter	1
24	26905206	Rear Blower Housing	3
25	73018020	Rotary Axis Sub-Assy	1
26	10425200	Centrifugal Fan	3
27	76512210	Fan Bearing	1
28	01792408	Motor Bearing Support	1
29	01895225	Support	2
30	01305263	Right Side Plate Assy	1
31	01265333	Cover Board (Fan motor)	1
32	76815214	Drain Plug	2
33	01325200006	Fan Motor Mounting Plate Sub-Assy	1
34	01285333	Condensate Water Tray Assy	1
35	01265332	Bottom Cover Plate	1
36	01024268	Evaporator Coil Assy	1
37	none	Electric Heater	0
38	01265331	Air Outlet Cover	1
39	01865217	Air Outlet Frame Assy	1
40	MC20700140	Wired Tether Controller	1
41	39000206	Ambient Temperature Sensor	1
42	390001982G	Temperature Sensor	1

DUCT24HP230V1AD

24,000 BTUH 230v Duct



DUCT24HP230V1AD

24,000 BTUH 230v Duct

NO.	Part Code	Part Description	Qty
1	07210028	Ref Filter Sub-Assy	1
2	07212001	Strainer	1
3	01495317	Seal Plate Sub-Assy (Evaporator)	1
4	45020216	Water Level Switch	1
5	43130324	Water Pump	1
6	15405200082	Water Pump Assy	1
7	01315334	Left Side Plate Assy	1
8	01424253	Electric Box Cover	1
9	33010027	Capacitor CBB61	1
10	30226338	Main Control Board	1
11	420111041	Terminal Board	1
12	4311023303	Transformer	1
13	01395000001	Electric Box Assy	1
14	01395200071	Electric Box Sub-Assy	1
15	01495316	Seal Plate Sub-Assy (Outlet)	1
16	01495315	Seal Plate Sub-Assy (Drainage)	1
17	01265339	Lower Cover Plate Sub-Assy	1
18	01804348	Motor Support	1
19	70819522	Bar Clasp	4
20	1570411102	Fan Motor	1
21	73018731	Joint Slack	1
22	73018000013	Rotary Axis Sub-Assy	1
23	26905205	Front Blower Housing	4
24	11725208	Air Filter	1
25	10425200	Centrifugal Fan	4
26	26905206	Rear Blower Housing	4
27	76512210	Fan Bearing	1
28	02285200001	Motor Bearing Support	1
29	01895225	Support	2
30	01305263	Right Side Plate Assy	1
31	01265338	Cover Board (Fan motor)	1
32	76815214	Drain Plug	2
33	01325200005	Fan Motor Mounting Plate Sub-Assy	1
34	01285334	Condensate Water Tray Assy	1
35	01265337	Bottom Cover Plate	1
36	01025200025	Evaporator Coil Assy	1
38	01265335	Air Outlet Cover	1
39	01375224	Air Outlet Frame Assy	1
40	MC20700140	Wired Tether Controller	1
41	39000206	Ambient Temperature Sensor	1
42	390001982G	Temperature Sensor	1

