

SUBMITTAL DATA

FLR18HP230V1BF for Use with Multi GEN2 and Multi+ Ultra
18000 BTU/H Floor/Ceiling Unit

Job Name <input type="text"/>	Location <input type="text"/>	Date <input type="text"/>
Purchaser <input type="text"/>	Engineer <input type="text"/>	
Submitted to <input type="text"/>	For <input type="text"/>	
Unit Designation <input type="text"/>	Schedule No. <input type="text"/>	



YAP1FB2F



FLR18HP230V1BF



XE72

GENERAL FEATURES

- Quiet Operation and Multi-Speed Fan
- Floor Stand or Ceiling Mount
- Multi-Directional Air Flow
- Wireless Remote with LCD Display Included
- XE72 Wi-Fi Wired Controller Included
- Low Ambient Cooling Based on Outdoor Unit Performance
- Low Ambient Heating Based on Outdoor Unit Performance
- Coil (Indoor and Outdoor) Copper Tube / Aluminum Fin
- Blue Colored Fin - 500 Hrs Salt Spray Tested

SPECIFICATIONS, FEATURES & FUNCTION SUMMARY

SPECIFICATIONS FLR18HP230V1BF

System Type HEAT PUMP

SYSTEM PERFORMANCE

Cooling	Nominal	Btu/h	18000
	Capacity @95°F	Btu/h	
Heating	Nominal	Btu/h	18200
	Capacity @5°F	Btu/h	
	Capacity @17°F	Btu/h	
	Capacity @47°F	W	

SEER2

EER2

HSPF2

COP @5°F

COP @47°F

Cooling Temperature Range

°F

Heating Temperature Range

°F

Refrigerant Type

R410A

System Performance Based on the Connected Outdoor Unit Performance

INDOOR UNIT

FLR18HP230V1BF

Air flow (Min-Max)	CFM	241 - 400
Sound Pressure Level (Min - Max)	dB(A)	27 - 38
Dehumidification	pt/hr	3.8
External Dimensions (W x H x D)	in	34-1/4 x 26-1/4 x 9-1/4
Package Dimension (W x H x D)	in	40-1/2 x 30-1/4 x 11-1/4
Net Weight	lbs	66.3
Gross Weight	lbs	67.3

REFRIGERANT PIPING

Line Set Size by Indoor Unit (Liquid - Gas) in 1/4 - 1/2

ELECTRICAL

Power Supply 208-230V / 1Ph / 60Hz (Powered by the Outdoor Unit)

FEATURES & FUNCTIONS SUMMARY FLR18HP230V1BF

SYSTEM FEATURES

Wired Controller Interface	Yes
WiFi Included	No
Indoor Fan Type	Centrifugal
Multi Fan Speeds	4 Speeds
Indoor Unit Display	Yes
Auxiliary Electrical Heater	No
Ventilation (Outdoor Air)	No

REMOTE CONTROLLER FUNCTIONS

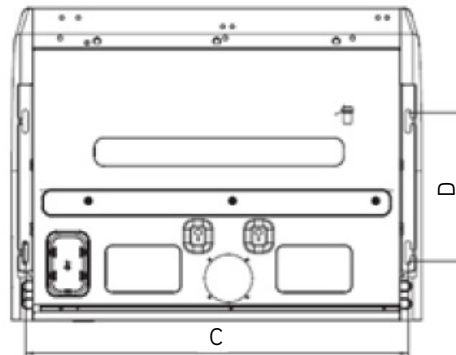
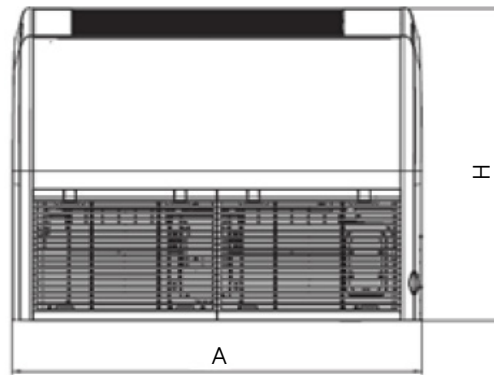
Auto Mode	Yes
Auto Fan	Yes
Auto Swing (Horizontal Auto Swing)	No
Auto Swing (Vertical Auto Swing)	Yes
Clock	Yes
Dry Mode	Yes
Dry Anti-Mildew (X-Fan) Mode	Yes
Energy Saving Mode	Yes
Dirty Filter Alert	No
Fan Speed Control (4 Speeds)	Yes
I Feel Function	Yes
Privacy Lock	Yes
Quiet Mode	Yes
Room Temperature Display	No
Sleep Mode (Normal Sleep)	Yes
4 Sleep Mode Options	No
Timer Mode	Yes
Turbo Mode	Yes
Display On/Off Control	Yes
Freeze Guard Mode	Yes
Power Failure Mode	Yes

DIMENSIONS & CLEARANCES

INDOOR UNIT

Unit: inch

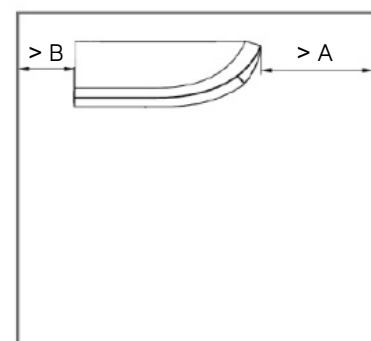
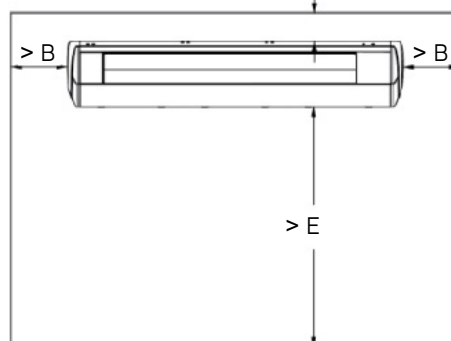
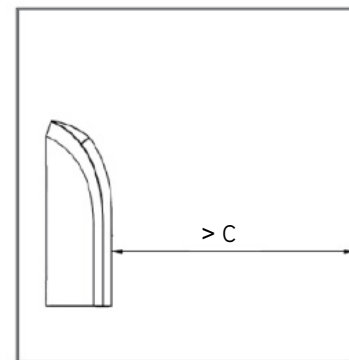
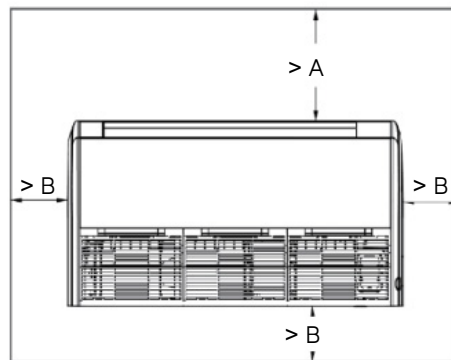
FLR18HP230V1BF	
DIMENSIONS	
A	34-1/4
B	9-1/4
C	32
D	12-1/2
H	26-1/4



INDOOR UNIT

Minimum clearance

DIMENSIONS	
A	60
B	12
C	39
D	6
E	90



Specifications are subject to change without notice. Manufacturer reserves the right to discontinue or modify specifications or designs without notice or without incurring obligations. All Rights reserved.

GREECOMFORT.COM/SYSTEM-DOCUMENTATION