

SUBMITTAL DATA

DUCT12HP230V1BD for Use with Multi GEN2 and Multi+ Ultra
12000 BTU/H Slim Duct (HS) Unit

Job Name

Location

Date

Purchaser

Engineer

Submitted to

For

Unit Designation

Schedule No.



YAP1FB2F



DUCT12HP230V1BD



XE72

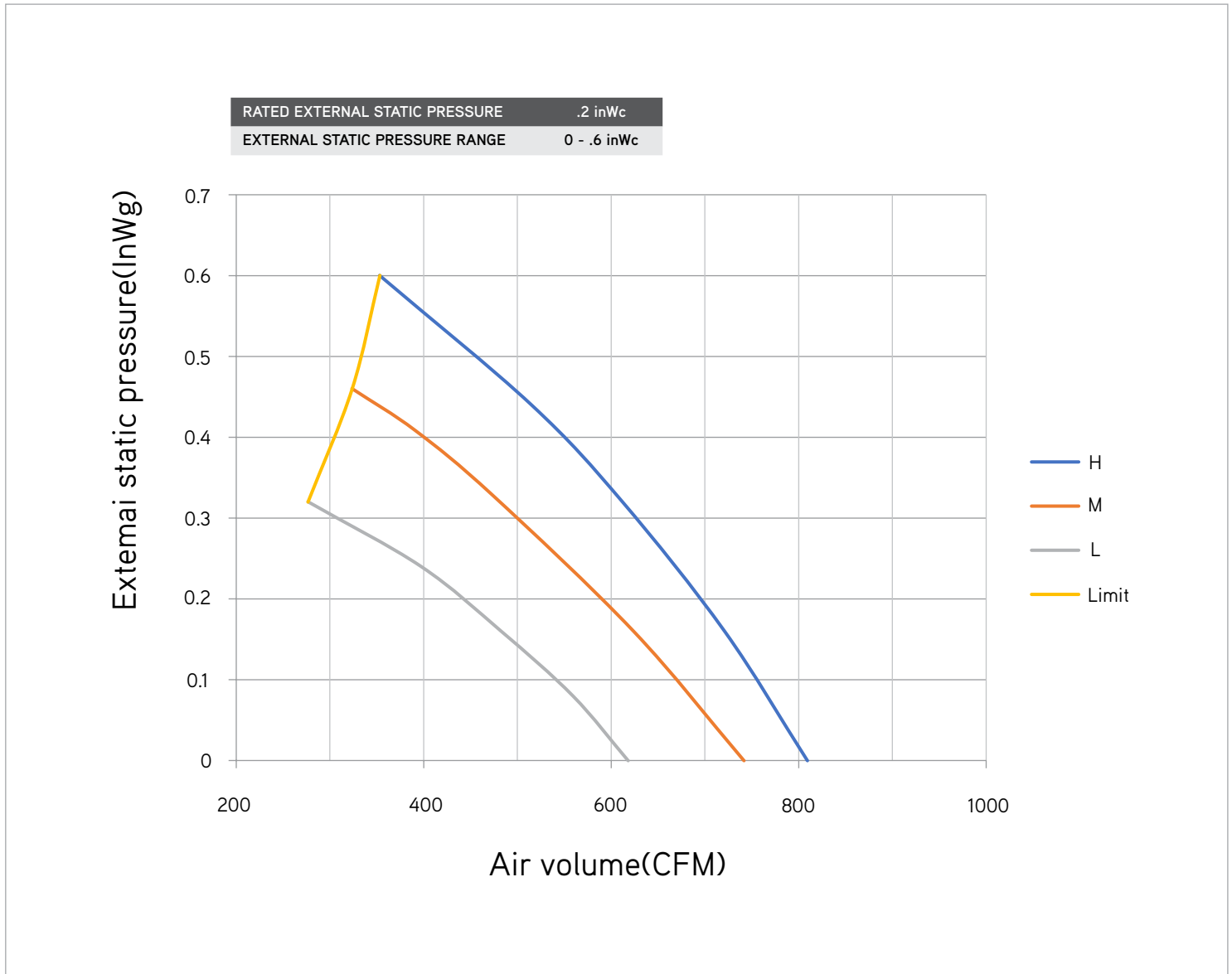
GENERAL FEATURES

- High Efficiency DC Inverter Technology
- Compact and Quiet Design
- Slim Line Construction 11 7/8" high
- High Static E.S.P Capability -Adjustible
- Internal Condensate Drain Pump
- Flexible Return Air From Bottom Or Rear
- Wireless Remote with LCD Display Included
- XE72 Wi-Fi Wired Controller Included
- Low Ambient Cooling Based on Outdoor Unit Performance
- Low Ambient Heating Based on Outdoor Unit Performance
- Coil (Indoor and Outdoor) Copper Tube / Aluminum Fin
- Blue Colored Fin - 500 Hrs Salt Spray Tested

SPECIFICATIONS, FEATURES & FUNCTION SUMMARY

| SPECIFICATIONS | | DUCT12HP230V1BD | | FEATURES & FUNCTIONS SUMMARY | | DUCT12HP230V1BD | |
|---|---|------------------------------|-------|------------------------------------|-------------|-----------------|--|
| System Type | | HEAT PUMP | | | | | |
| SYSTEM PERFORMANCE | | | | SYSTEM FEATURES | | | |
| Cooling | Nominal | Btu/h | 12000 | Wired Controller Interface | Yes | | |
| | Capacity @95°F | Btu/h | | WiFi Included | No | | |
| Heating | Nominal | Btu/h | 13000 | Indoor Fan Type | Centrifugal | | |
| | Capacity @5°F | Btu/h | | Multi Fan Speeds | 4 Speeds | | |
| | Capacity @17°F | Btu/h | | Indoor Unit Display | Yes | | |
| | Capacity @47°F | W | | Auxiliary Electrical Heater | No | | |
| SEER2 | | | | Ventilation (Outdoor Air) | Yes | | |
| EER2 | | | | REMOTE CONTROLLER FUNCTIONS | | | |
| HSPF2 | | | | Auto Mode | Yes | | |
| COP @5°F | | | | Auto Fan | Yes | | |
| COP @47°F | | | | Auto Swing (Horizontal Auto Swing) | No | | |
| Cooling Temperature Range | °F | | | Auto Swing (Vertical Auto Swing) | No | | |
| Heating Temperature Range | °F | | | Clock | Yes | | |
| Refrigerant Type | | | R410A | Dry Mode | Yes | | |
| INDOOR UNIT | | DUCT12HP230V1BD | | Dry Anti-Mildew (X-Fan) Mode | Yes | | |
| Air flow (Min-Max) | CFM | 212 - 353 | | Energy Saving Mode | Yes | | |
| External Static Pressure | In W.c. | 0.6 | | Dirty Filter Alert | No | | |
| Sound Pressure Level (Min - Max) | dB(A) | 26 - 38 | | Fan Speed Control (4 Speeds) | Yes | | |
| Dehumidification | pt/hr | 3.0 | | I Feel Function | Yes | | |
| External Dimensions (W x H x D) | in | 32-11/16 x 11-7/8 x 29-11/16 | | Privacy Lock | Yes | | |
| Package Dimension (W x H x D) | in | 35-1/4 x 13-5/8 x 31 -/4 | | Quiet Mode | Yes | | |
| Net Weight | lbs | 71 | | Room Temperature Display | No | | |
| Gross Weight | lbs | 84 | | Sleep Mode (Normal Sleep) | Yes | | |
| REFRIGERANT PIPING | | | | 4 Sleep Mode Options | No | | |
| Line Set Size by Indoor Unit (Liquid - Gas) | in | 1/4 - 1/2 | | Timer Mode | Yes | | |
| ELECTRICAL | | | | Turbo Mode | Yes | | |
| Power Supply | 208-230V / 1Ph / 60Hz (Powered by the Outdoor Unit) | | | Display On/Off Control | No | | |
| | | | | Freeze Guard Mode | Yes | | |
| | | | | Power Failure Mode | Yes | | |

FAN PERFORMANCE



NOTE:

During installation there are 9 dip switches in the control box used set static pressure from 0" to .6". You can select P01, P02, P03, P04, P05, P06, P07, P08, P09 in fan mode of indoor fan motor, which means different fan mode combinations are corresponding to different static pressure.

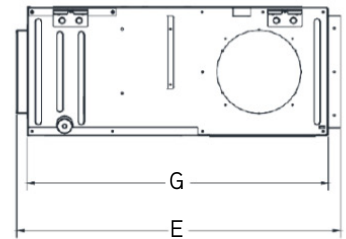
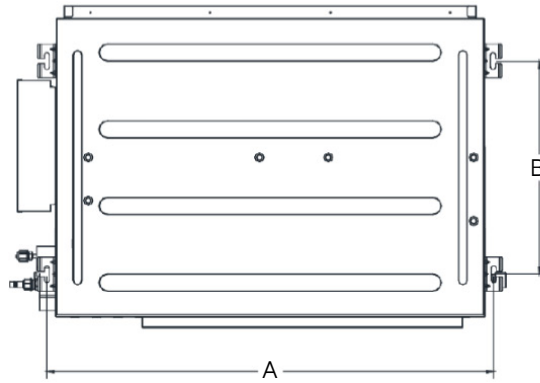
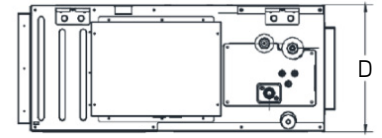
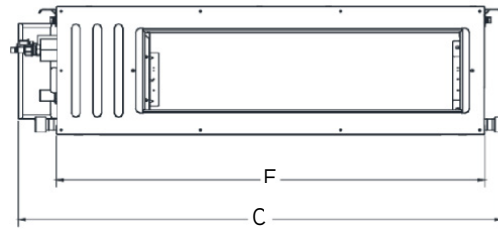
Ex-factory defaulted mode is P05. You can set the mode through wired controller. S01, S02, S03.....S12, S13 means the rotation speed of indoor unit is from low to high.

DIMENSIONS & CLEARANCES

INDOOR UNIT

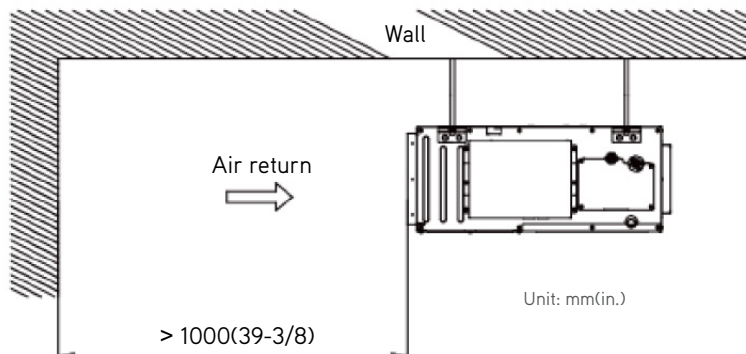
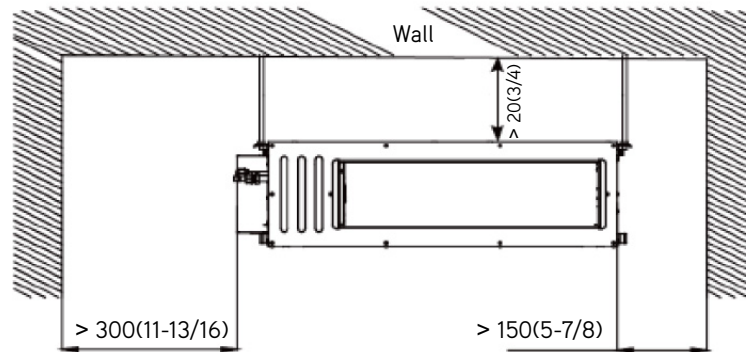
Unit: inch

| DUCT12HP230V1BD | |
|-----------------|----------|
| DIMENSIONS | |
| A | 29-18 |
| B | 19-3/4 |
| C | 32-11/16 |
| D | 11-7/8 |
| E | 29-11/16 |
| F | 27-5/8 |
| G | 28-5/8 |



INDOOR UNIT

Minimum clearance



Specifications are subject to change without notice. Manufacturer reserves the right to discontinue or modify specifications or designs without notice or without incurring obligations. All Rights reserved.

GREECOMFORT.COM/SYSTEM-DOCUMENTATION