

**Submittal Data: MULTI56HP230V1AO** 56,000 BTUH Super +Multi-port Heat Pump System

Job Name	Location	Date
----------	----------	------

Purchaser	Engineer
-----------	----------

Submitted To	For	<input type="checkbox"/> Reference	<input type="checkbox"/> Approval	<input type="checkbox"/> Construction
--------------	-----	------------------------------------	-----------------------------------	---------------------------------------

Unit Designation	Schedule No.
------------------	--------------

- GENERAL FEATURES**
- Operates up to 9 Indoor Units
  - G10 DC Inverter Technology
  - 2-Way & 3-Way Branch Units (Sold Sepatarely)
  - Acrylic Resin / Anti-Corrosion Coil Protection
  - Intelligent Defrost
  - Auto Restart on Power Outages
  - 5 yr. Limited Parts Warranty
  - 7 year Limited Compressor Warranty


**System Ratings**

<b>Cooling</b>	
Rated Capacity	53,000 BTU/H
Capacity Range	3,412-61,416 BTU/H
Power Input (Max)	5,600 W
SEER	16.0
EER	9.5

<b>Heating at 47° F</b>	
Rated Capacity	61,500 BTU/H
Capacity Range	4,094-63,122 BTU/H
Input Power (Max)	5,200 W
HSPF	8.2
COP	3.5

<b>Heating at 17° F</b>	
Rated Capacity	43,500 BTU/H
Capacity (Max)	51,901 BTU/H

<b>Operating Range</b>		
Cooling	(Max)	118°F(48°C)
	(Min)	5°F (-15°C)
Heating	(Max)	75°F (24°C)
	(Min)	-4°F (-20°C)

<b>Power Supply</b>	
Normal Operational Voltage	208/230 V, 1 Phase, 60 Hz
Voltage Range	187 - 253 V
Main Power Wire Size	8 AWG
Interconnecting Wire Size (Min.)	18 AWG
MCA	30.0 A
MOCP/Breaker Size	50 A

**Outdoor Unit Data**

<b>Compressor</b>	Type	DC Inverter Driven Rotary
	RLA	23.0 A
<b>Fan Motor</b>	Output Power	2 x 1/6HP
	FLA	2 x 1.0 A
	Air Flow (Max)	4,120 CFM
<b>Sound Level</b>		
Cooling		57 db(A)
Heating		57 db(A)

**Refrigerant Piping Data**

Max. Number of Indoor Units	9
Connection Method	Flared
Refrigerant Type	R410A
Refrigerant Charge	174.6 oz
Additional Charge Per Line Length	0.54-oz/ft
Factory Charge for Total Line Length	98-ft
Max. Number of BU Boxes	3
Total Refrigerant Pipe Length	476-ft
Max Refrigerant Piping Length to any Indoor Unit	230-ft
Min Refrigerant Piping Length to any Indoor Unit	10-ft
Max Elevation between Indoor Units	50-ft
Max Lift from Outdoor to Indoor Unit	98-ft
Max Drop from Outdoor to Indoor Unit	98-ft

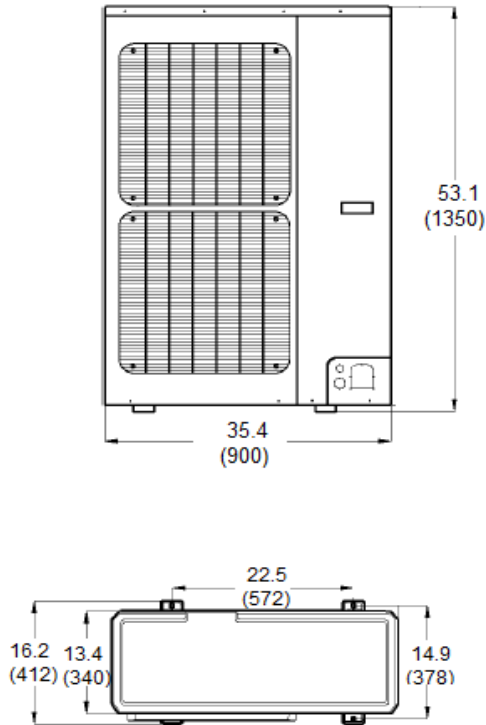


Units: inch (mm)



**56,000 BTUH MODEL**

Model # MULTI56HP230V1AO 56,000 BTUH 230V

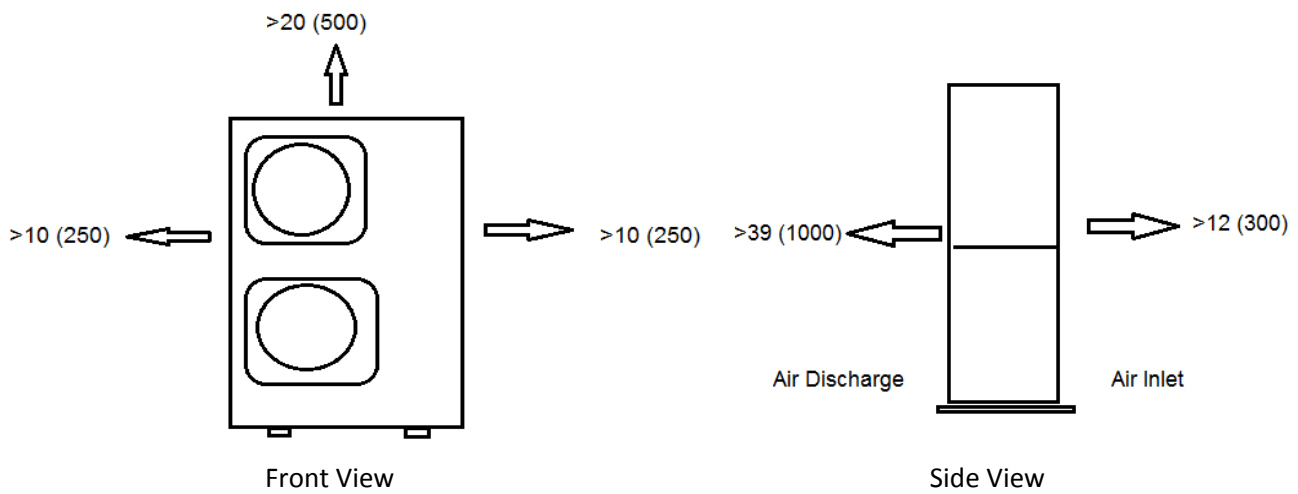


Net Weight	256 lbs
Shipping Weight	276 lbs

Liquid Line Port Size	3/8-in OD Flared
Suction/Gas Line Port Size	5/8-in OD Flared

**MINIMUM SPACING REQUIREMENTS**

Units: inch (mm)



**Notes:**

1. Communication Cable minimum 18 AWG Type Stranded Copper Conductors THHN 600V Unshielded Wire
2. Power wiring cable size must comply with applicable national and local codes.



## COOLING PERFORMANCE

Outdoor Ambient Temperature (DB)	Indoor Entering Air Temperatures (DB) 50% RH					
	62 F		67 F		72 F	
	TC	SHC	TC	SHC	TC	SHC
25 F	55,212	46,540	58,192	48,511	59,860	49,939
35 F	54,292	45,497	57,216	47,388	58,704	48,828
45 F	53,716	43,810	56,888	46,275	57,980	47,276
55 F	53,010	43,065	56,550	45,199	57,310	46,728
65 F	55,525	44,035	58,780	47,503	59,600	49,258
75 F	54,840	43,937	57,120	45,836	58,824	48,325
85 F	53,200	42,125	55,786	43,424	57,600	47,063
95 F	51,200	41,723	52,000	43,960	53,760	44,865
105 F	46,290	38,582	47,912	41,254	48,600	42,642
115 F	40,200	36,357	41,200	37,512	41,900	38,441

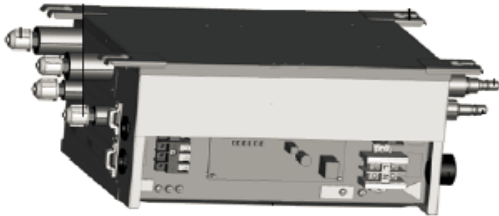
## HEATING PERFORMANCE

Outdoor Ambient Temperature (DB) (80% RH)	Indoor Entering Air Temperatures (DB)					
	65 F		70 F		75 F	
	TC	SHC	TC	SHC	TC	SHC
5 F	33,429	33,429	32,776	32,776	31,973	31,973
15 F	43,422	43,422	42,867	42,867	42,164	42,164
25 F	47,988	47,988	47,384	47,384	46,857	46,857
35 F	55,286	55,286	54,491	54,491	53,876	53,876
45 F	60,759	60,759	59,710	59,710	58,913	58,913
55 F	62,118	62,118	61,235	61,235	60,690	60,690
65 F	62,611	62,611	62,173	62,173	61,749	61,749

TC- Total Capacity ( BtuH)

SHC- Sensible Capacity (BtuH)

## BRANCH (BU) SPECIFICATIONS



1-Port In/2-Ports Out  
Model no: FXA2A-D (RFX12A)



1-Port In/3-Ports Out  
Model no: FXA3A-D (RFX13A)

### Electrical

		FXA2A-D	FXA3A-D
		RFX12A	RFX13A
No. of Indoor Units		2	3
Power Supply	volts	208/230v	208/230v
Rated Current	amps	3.15	3.15
MOCP	amps	15	15

### Piping

		FXA2A-D	FXA3A-D
		RFX12A	RFX13A
Max Equivalent Length (BU to last Indoor Unit)	ft	60	60

Notes:

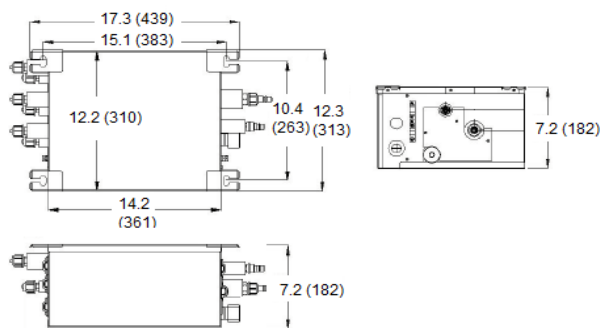
1. Communication Cable minimum 18 AWG Type Stranded Copper Conductors THHN 600V Unshielded Wire
2. Power wiring cable size must comply with applicable national and local codes.

## BRANCH (BU) BOX DIMENSIONAL SPECIFICATIONS

Units: inch (mm)



1-Port In/2-Ports Out  
Model no: FXA3A-D (RFX12A)

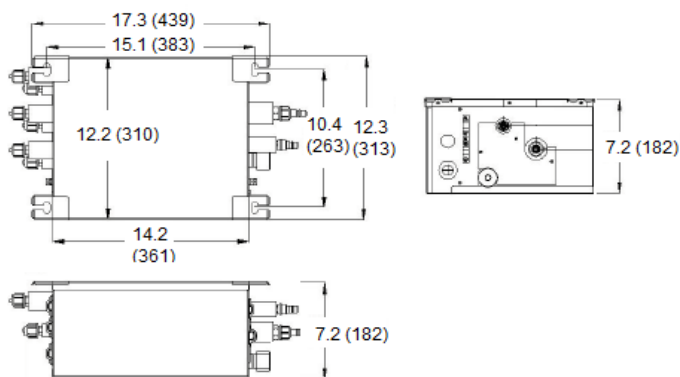


	Indoor Unit Side		Outdoor Unit
	Port A <sup>1</sup>	Port B <sup>1</sup>	Side <sup>1</sup>
Liquid Pipe	1/4	1/4	3/8
Gas Pipe	3/8	3/8	5/8

(1) Flare Fittings

Weight	
Net	Gross
12 lbs	16 lbs

1-Port In/3-Ports Out  
Model no: FXA3A-D (RFX13A)



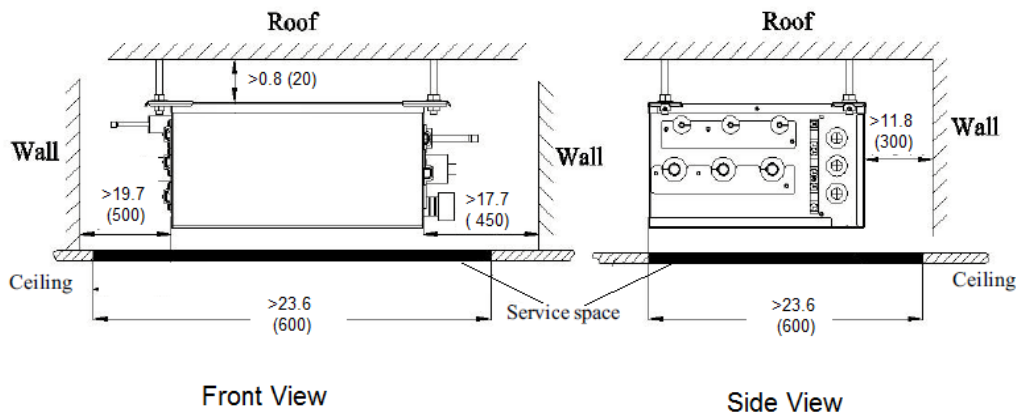
	Indoor Unit Side			Outdoor Unit
	Port A <sup>1</sup>	Port B <sup>1</sup>	Port C <sup>1</sup>	Side <sup>1</sup>
Liquid Pipe	1/4	1/4	1/4	3/8
Gas Pipe	3/8	3/8	3/8	5/8

(1) Flare Fittings

Weight	
Net	Gross
13 lbs	17 lbs

## MINIMUM SPACING REQUIREMENTS

Units: inch (mm)



Notes:

1. Recommended Interconnecting Cable Type Stranded Copper Conductors THHN 600V Unshielded Wire
2. Power wiring cable size must comply with applicable national and local codes.



Model Number & Description

Ceiling Cassette      CAS12HP230V1AC      12,000 BtuH  
                                  CAS18HP230V1AC      18,000 BtuH  
                                  CAS24HP230V1AC      24,000 BtuH



Universal Floor/Ceiling      FLR09HP230V1AF      9,000 BtuH  
                                  FLR12HP230V1AF      12,000 BtuH  
                                  FLR18HP230V1AF      18,000 BtuH  
                                  FLR24HP230V1AF      24,000 BtuH



Vireo High Wall\*      VIR09HP230VI\*H      9,000 BtuH  
 \* A & B Revisions      VIR12HP230VI\*H      12,000 BtuH  
 (Other High Wall Units available      VIR18HP230VI\*H      18,000 BtuH  
   see sales literature)      VIR24HP230VI\*H      24,000 BtuH



Slim Duct      DUCT09HP230V1AD      9,000 BtuH  
                                  DUCT12HP230V1AD      12,000 BtuH  
                                  DUCT18HP230V1AD      18,000 BtuH  
                                  DUCT21HP230V1AD      24,000 BtuH



Mini -Console      CONS09HP230V1AF      9,000 BtuH  
                                  CONS12HP230V1AF      12,000 BtuH  
                                  CONS18HP230V1AF      18,000 BtuH



Branch (BU) Boxes      FXA2A-D (RFX12A)      1-Port In/2-Ports Out  
                                  FXA3A-D (RFX13A)      1-Port In/3-Ports Out



Copper Y-Branch      LN01300110      Liquid & Gas  
 Connectors      (FQ01A/A)      Connectors



Specifications are subject to change without notice. Manufacturer reserves the right to discontinue or modify specifications or designs without notice or without incurring obligations. All rights reserved.