



Parts Manual

Cassette B Series

MODELS:

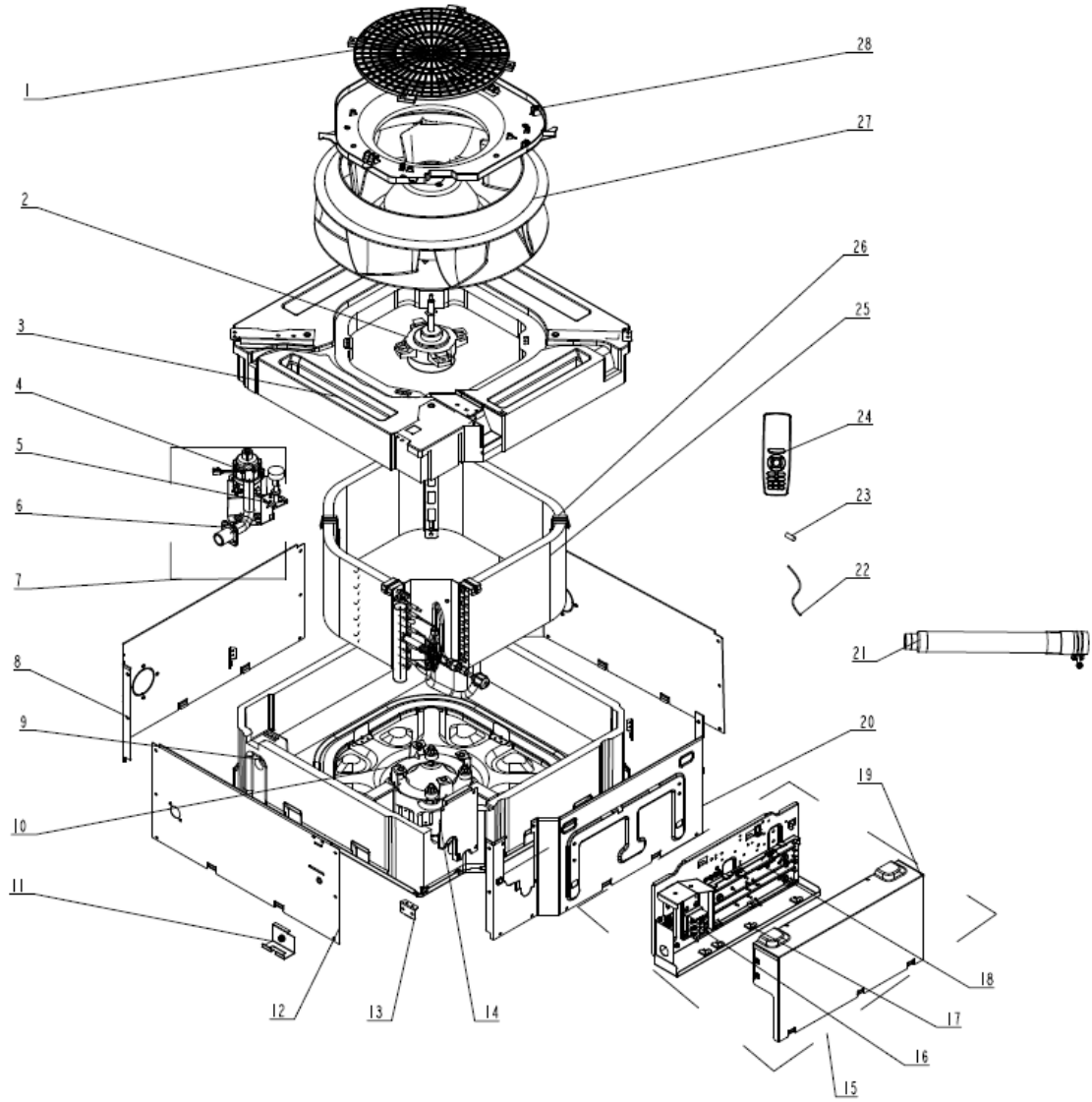
CAS12HP230V1BC
CAS18HP230V1BC
CAS24HP230V1BC

Thank you for choosing our product.
Please read this Installation & Owner's Manual carefully before
operation and retain it for future reference.

If you lose this Manual, please contact your local distributor
visit www.greecomcomfort.com/resources now to download an
file the electronic version.

CAS12HP230V1BC

EXPLODED VIEW



CAS12HP230V1BC

NO.	Part Description	Qty	Part Code
1	Rear Grill	1	26909400007
2	Fan Motor -FN35B-ZL	1	1570940000401
3	Water Tray Assy	1	01289400004
4	Water Pump DC	1	4313800005801
5	Liquid Level Switch	1	450102013
6	Pump Drainpipe	1	26909400069
7	Water Pump Assy	1	15409400008
8	Right Side Plate Sub-Assy	2	01319400013
9	Bottom Foam Assy	1	12509400004
10	Base Plate Assy	1	02229400007
11	Body Installing Support	4	01332705
12	Left Side Plate Sub-Assy	1	01319400012
13	Connected Board(Front Panel)	4	01349400006
14	Cover Plate Sub-Assy	1	01269400006
15	Electric Box Assy	1	100002066221
16	Terminal Board (3 Post)	1	420001000002
17	Clamp	8	0220410000501
18	Main Board	1	300002060012
19	Electric Box Cover	1	014294000030
20	Front Side Plate Sub-Assy	1	01319400014
21	Drain Hose Sub-Assy	1	007008000001
22	Room Sensor	1	39000191
23	Tube sensor	1	3900012128
24	Remote Controller YAP1FFB	1	30510599
25	Evaporator Assy	1	01029400058
26	Supporter	3	01809400007
27	Centrifugal Fan	1	10429400001
28	Diverson Circle	1	10479400001

ASSEMBLIES

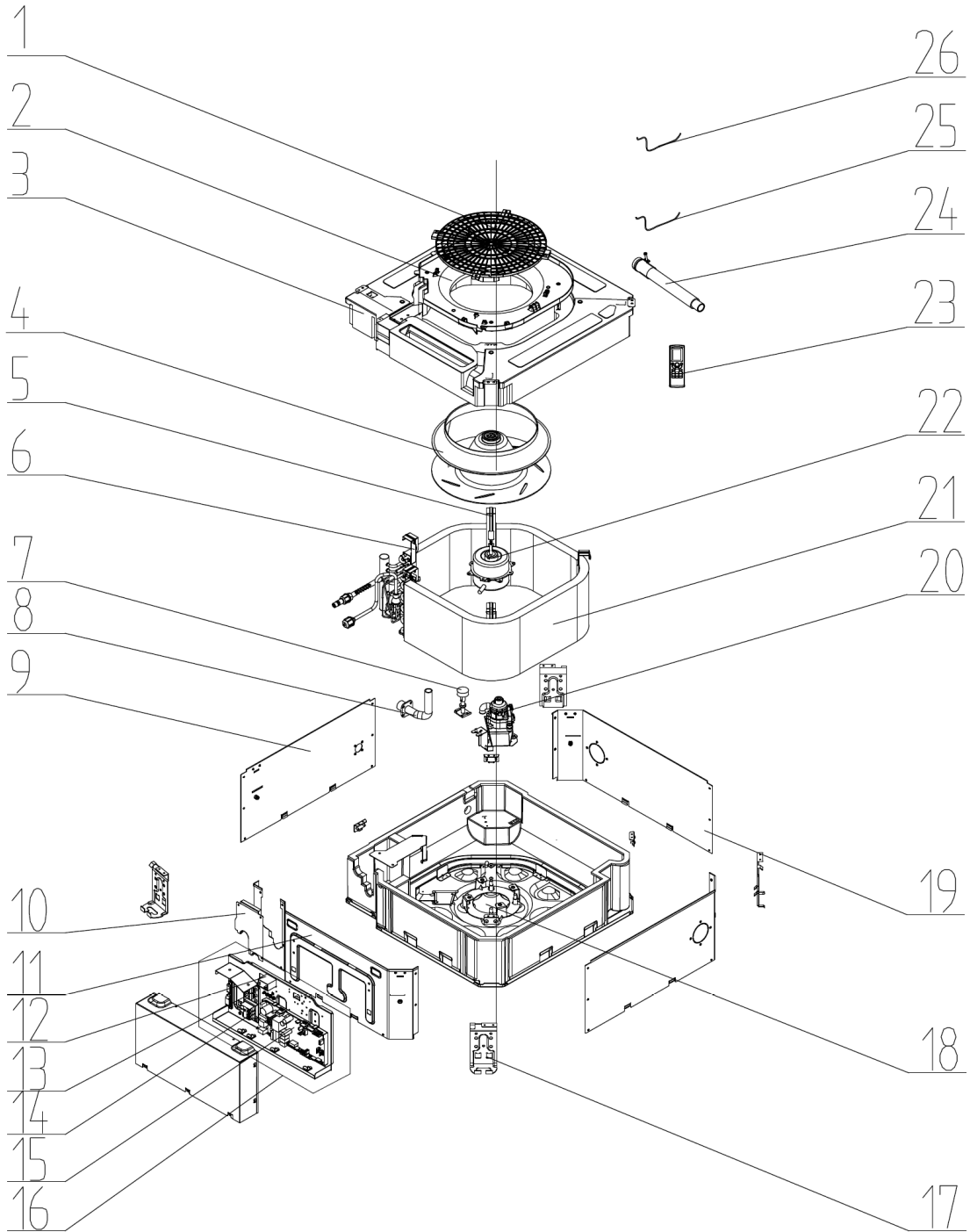
7	Water Pump Assy	1	15409400008
4	Water Pump DC	1	4313800005801
5	Liquid Level Switch	1	450102013
6	Pump Drainpipe	1	26909400069
7	Water Pump Assy	1	15409400008

CAS12HP230V1BC

15	Electric Box Assy	1	100002066221
16	Terminal Board (3 Post)	1	420001000002
17	Clamp	8	0220410000501
18	Main Board	1	300002060012
19	Electric Box Cover	1	142940000301

CAS18HP230V1BC

EXPLODED VIEW

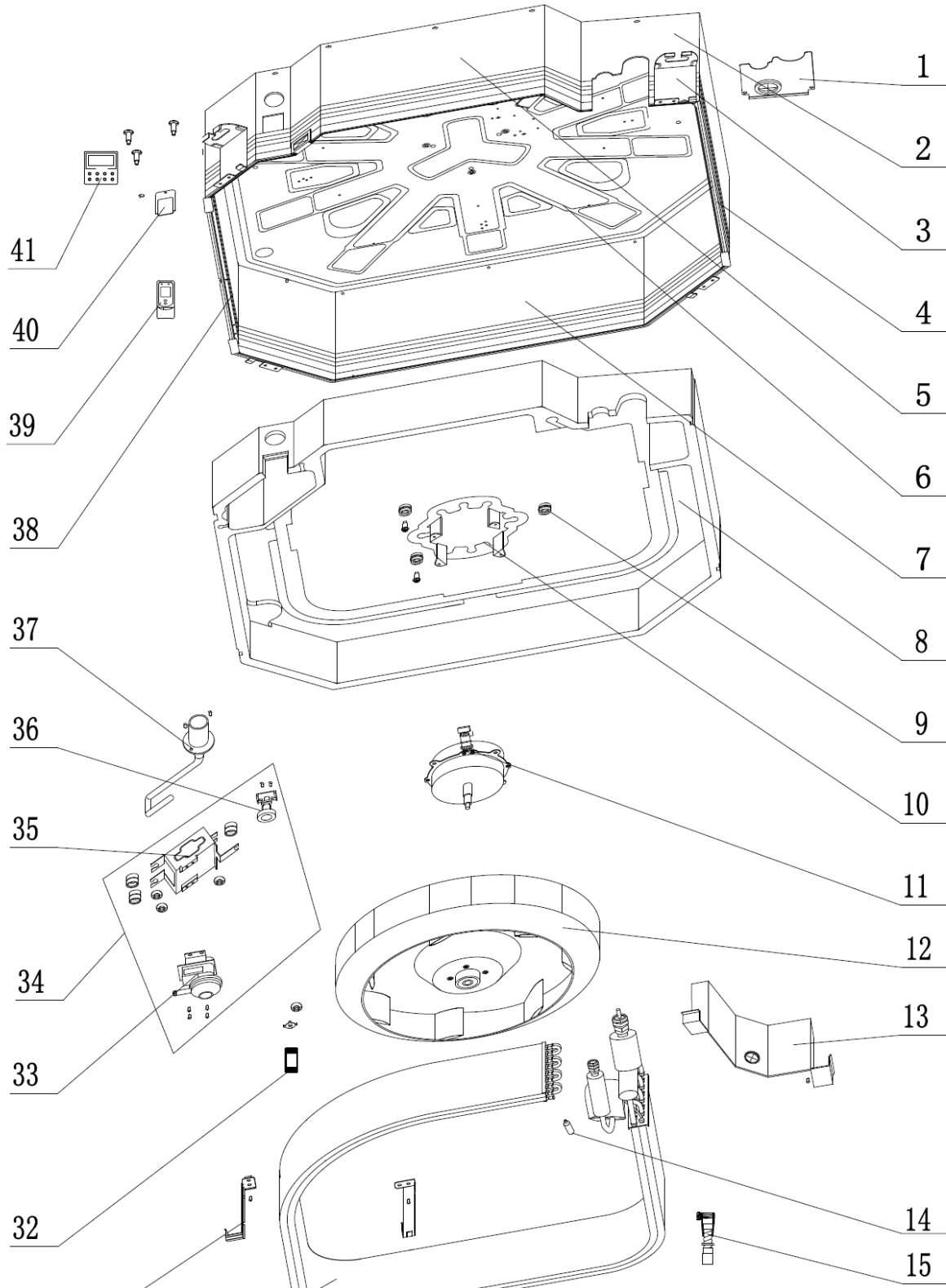


CAS18HP230V1BC

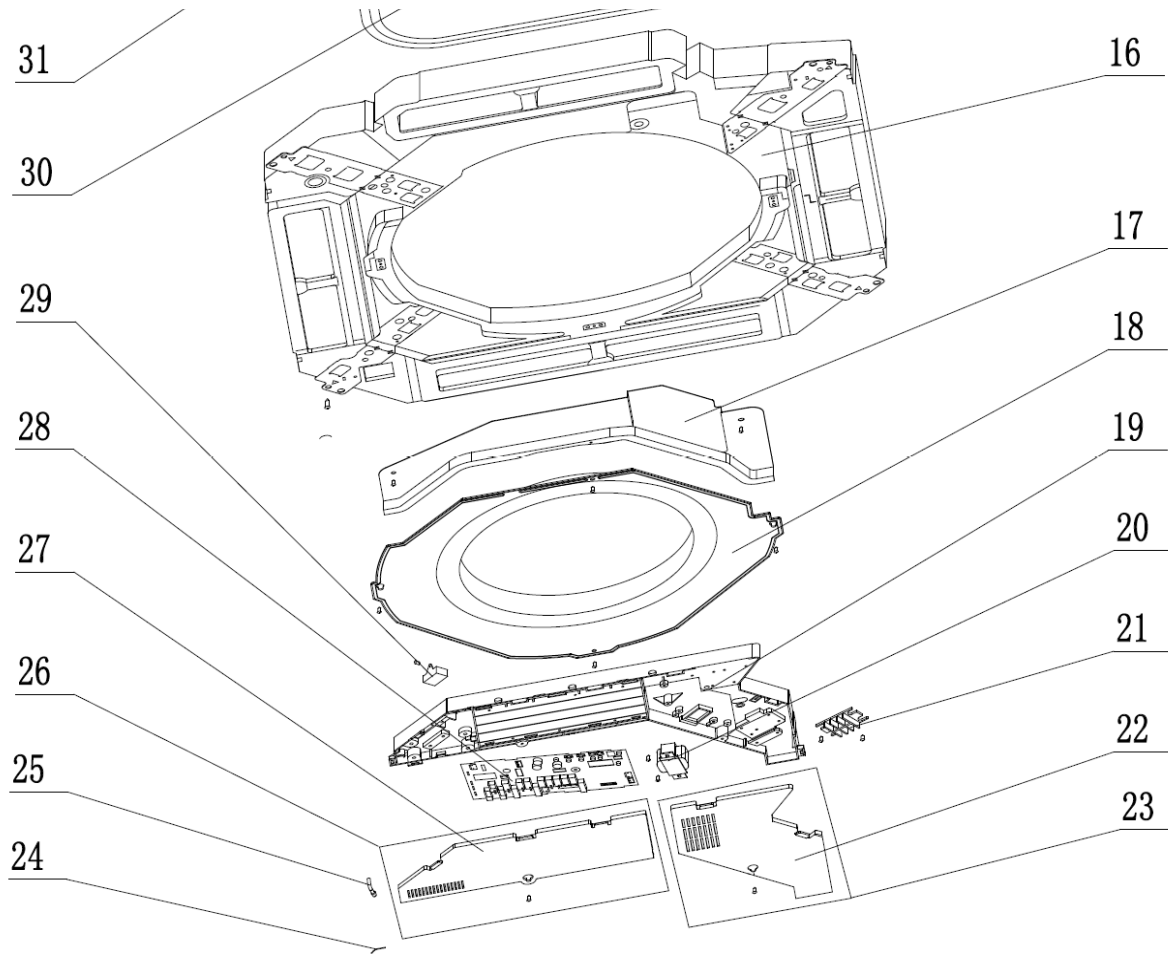
NO.	Part Description	Qty	Part Code
1	Rear Grill	1	26909400007
2	Diversion Circle	1	10479400001
3	Water Tray Assy	1	01289400004
4	Centrifugal Fan	1	10429400001
5	Supporter	3	01809400007
6	Baffle Plate Sub-assy	1	01359400002
7	Liquid Level Switch	1	450102013
8	Pump Drainpipe	1	26909400069
9	Left Side Plate Sub-Assy	1	01319400012
10	Press Plate (Outlet Pipe)	1	01349400004
11	Front Side Plate Sub-Assy	1	01319400014
12	Capacitor CBB61	0	none
13	Terminal Board (4 Post)	0	none
14	Terminal Board (3 Post)	1	420001000002
15	Main Board	1	300002060012
16	Electric Box Assy	1	100002066222
17	Body Installing Support	4	01332705
18	Base Plate Assy	1	02229400007
19	Right Side Plate Sub-Assy	2	01319400013
20	Water Pump DC	1	4313800005801
21	Evaporator Assy	1	01029400013
22	Fan Motor FN35B-ZL	1	1570940000401
23	Remote Controller YAP1FFB	1	30510599
24	Drain Hose Sub-Assy	1	007008000001
25	Tube sensor	1	3900012128
26	Room Sensor	1	39000191

CAS24HP230V1BC

EXPLODED VIEW



CAS24HP230V1BC



EXPLODED VIEW

CAS24HP230V1BC

NO.	Part Description	Qty	Part Code
1	Tube Exit Plate Assy	1	0138271503
2	Shell Assy	1	01432703
3	Body Installing Plate	4	01332701
4	Front Side Plate assy	1	01302718
5	Left Side Plate Assy	1	01302715
6	Base Plate Assy	1	01222701
7	Rear Side Plate Assy	1	01302714
8	Bottom Foam Assy	1	52012722
9	Motor Gasket	4	76712711
10	Motor Support	0	none
11	Fan Motor FN35B-ZL	1	1570940000401
12	Centrifugal Fan	1	10312705
13	Connected Board Assy of Evaporator	1	01074042
14	Filter Sub-Assy (Mesh)	0	none
15	Drain Hose Sub-Assy	1	05339400001
16	Water Tray Assy	1	000069000104
17	Electric Base Plate	1	01412721
18	Diversion Circle	1	10372701
19	Electric Box Assy	1	100002066223
20	Transformer	0	none
21	Terminal Board	1	420001000002
22	Electric Box Cover	1	0142410004801A
23	Electric Box Cover Sub-Assy1	0	none
24	Temperature Sensor	1	390001921
25	Temperature Sensor	1	390000457
26	Electric Box Cover Sub-Assy2	0	none
27	Cover of Electric Box II	0	none
28	Main Board	1	300002060012
29	Capacitor CBB61	0	none
30	Evaporator Assy	1	011001060292
31	Evaporator Support Assy	2	01072703
32	Magnetic Ring	1	49010104
33	Water Pump DC	1	43138000058
34	Water Pump Assy	1	15409400009
35	Pump Support	0	none
36	Water Level Switch	1	45020216
37	Pump Drainpipe	1	26909400068
38	Right Side Plate Assy	1	01302716
39	Remote Controller YAP1FFB	1	30510599

CAS24HP230V1BC

40	Pump Cover Board Assy	1	01252713
41	Display Board	0	none



U.S. CONTACT INFORMATION TRADEWINDS, LLC

E-mail: info@twclimate.com

Contractor Support: 888-850-7928 | Mon-Fri 8 AM - 5 PM EDT

www.greecomfort.com/system-documentation/

GREE ELECTRIC APPLIANCES, INC. OF ZHUHAI

Add: West Jinji RD, Qianshan, Zhuhai, Guangdong, China, 519070

Tel: (+86-756) 8522218

Fax: (+86-756) 8669426

E-mail: gree@gree.com.cn

www.gree.com