

SUBMITTAL DATA

CAS24HP230V1BC / 3VIR24HP230V1BO
24000 BTU/H Cassette Heat Pump System

Job Name

Location

Date

Purchaser

Engineer

Submitted to

For

Unit Designation

Schedule No.



YAP1FB2F



CAS24HP230V1BC



3VIR24HP230V1BO



XE72

GENERAL FEATURES

- AHRI Certificate: [211726659](#)
- High Efficiency DC Inverter Technology
- Compact and Quiet Design
- 4 - Way Discharge Air
- Internal Condensate Drain Pump
- Wireless Remote with LCD Display Included
- XE72 Wi-Fi Wired Controller Included
- Low Ambient Cooling down to -20°F (Range -20°F to 122°F)
- Low Ambient Heating down to -22°F (Range -22°F to 86°F)
- (Indoor and Outdoor) Copper Tube / Aluminum Fin
- Blue Colored Fin - 500 Hrs Salt Spray Tested

SPECIFICATIONS, FEATURES & FUNCTION SUMMARY

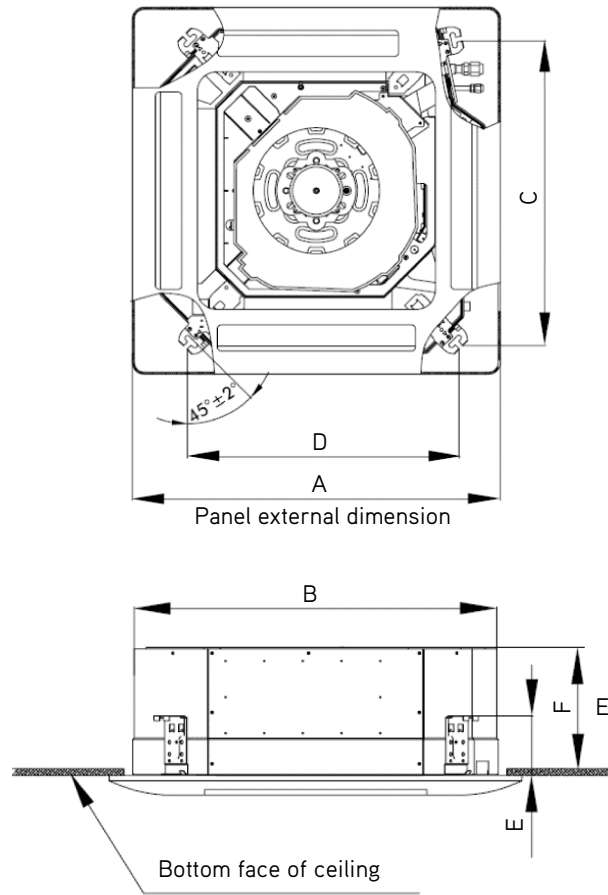
SPECIFICATIONS		CAS24HP230V1BC / 3VIR24HP230V1BO		FEATURES & FUNCTIONS SUMMARY		CAS24HP230V1BC / 3VIR24HP230V1BO		
System Type		HEAT PUMP						
SYSTEM PERFORMANCE				SYSTEM FEATURES				
Cooling	Min - Max	Btu/h	3600 - 26500	Inverter Type	G10			
	Capacity @95°F	Btu/h	22800	Ultra Low Frequency Torque Control	Yes			
Heating	Min - Max	Btu/h	4000 - 33000	Power Factor Correction	Yes			
	Capacity @5°F	Btu/h		Compressor Type - Inverter	High Efficiency Rotary			
	Capacity @17°F	Btu/h		Basepan With Electric Heater	Yes			
	Capacity @47°F	W	27400	Indoor & Outdoor Fin Coating (Blue Fin)	Yes			
SEER2			21.0	Intelligent Defrosting	Yes			
EER2			13.1	Intelligent Preheating	Yes			
HSPF2			9.5	Low Voltage Startup	Yes			
COP @5°F				Memory/Power Failure Recovery	Yes			
COP @47°F			3.6	Self Diagnosis	Yes			
Cooling Temperature Range	°F			-20 - 122	Wired Controller Interface	Yes		
Heating Temperature Range	°F			-22 - 86	WiFi Included	No		
Refrigerant Type			R410A		Indoor Fan Type	Centrifugal		
INDOOR UNIT		CAS24HP230V1BC		Multi Fan Speeds	4 Speeds			
Air flow (Min-Max)	CFM			518 - 753	Indoor Unit Display	Yes		
Sound Pressure Level (Min - Max)	dB(A)			36 - 47	Auxiliary Electrical Heater	No		
Dehumidification	pt/hr			5.3	Ventilation (Outdoor Air)	No		
External Dimensions (W x H x D)	in			33 x 9-1/2 x 33	REMOTE CONTROLLER FUNCTIONS			
Package Dimension (W x H x D)	in			37-1/2 x 12-1/8 x 37-1/2	Auto Mode	Yes		
Net Weight	lbs			72.8	Auto Fan	Yes		
Gross Weight	lbs			88.2	Auto Swing (Horizontal Auto Swing)	No		
CASSETTE GRILLE		CASGRILLEBLG		Auto Swing (Vertical Auto Swing)	Yes			
Grille Dimension (W x H x D)	in			37-7/16 x 2-3/8 x 37-7/16	Clock	Yes		
Package Dimension (W x H x D)	in			40 1/2 x 4 5/8 x 40 3/4	Dry Mode	Yes		
Weight (Net/Gross)	lbs			15.4/24.3	Dry Anti-Mildew (X-Fan) Mode	Yes		
OUTDOOR UNIT		3VIR24HP230V1BO		Energy Saving Mode	Yes			
Compressor Type			GREE G-10 / 2 - STAGE INVERTER		Dirty Filter Alert	No		
Sound Pressure Level	dB(A)			62	Fan Speed Control (7 Speeds)	Yes		
External Dimensions (W x H x D)	in			39-3/8 x 29-3/8 x 16-13/16	I Feel Function	Yes		
Package Dimension (W x H x D)	in			42-9/16 x 31-15/16 x 19-1/16	Privacy Lock	Yes		
Net Weight	lbs			125.7	Quiet Mode	No		
Gross Weight	lbs			136.7	Room Temperature Display	No		
REFRIGERANT PIPING				Sleep Mode	Yes			
Refrigerant Charge - R410A	oz			60	Normal Sleep Mode Options	Yes		
Additional Charge	oz/ft			0.5	Timer Mode	Yes		
Line Set Sized by Indoor Unit (Liquid - Gas)	in			3/8 - 5/8	Turbo Mode	Yes		
Outdoor Service Valve Size (Liquid - Gas)	in			1/4 - 5/8	Display On/Off Control	Yes		
Pre-Charge Length	ft			25	Freeze Guard Mode	Yes		
Pipe Length (Min - Max)	ft			10 - 131	Power Failure Mode	Yes		
Max. Pipe Elevation	ft			82				
ELECTRICAL								
Power Supply	208-230V / 1Ph / 60Hz (Powered by the Outdoor Unit)							
Voltage Range (Min - Max)	VAC			187 - 253				
Rated Current - Cooling	A			15.3				
Rated Current - Heating	A			13.5				
MCA	A			16				
MOCP	A			25				
Suggested Breaker Size	A			20				
Main Power Wire Size	AWG			Per Local Code				
Interconnecting Wire Size	AWG			14 / 4				

DIMENSIONS

INDOOR UNIT

Unit: inch

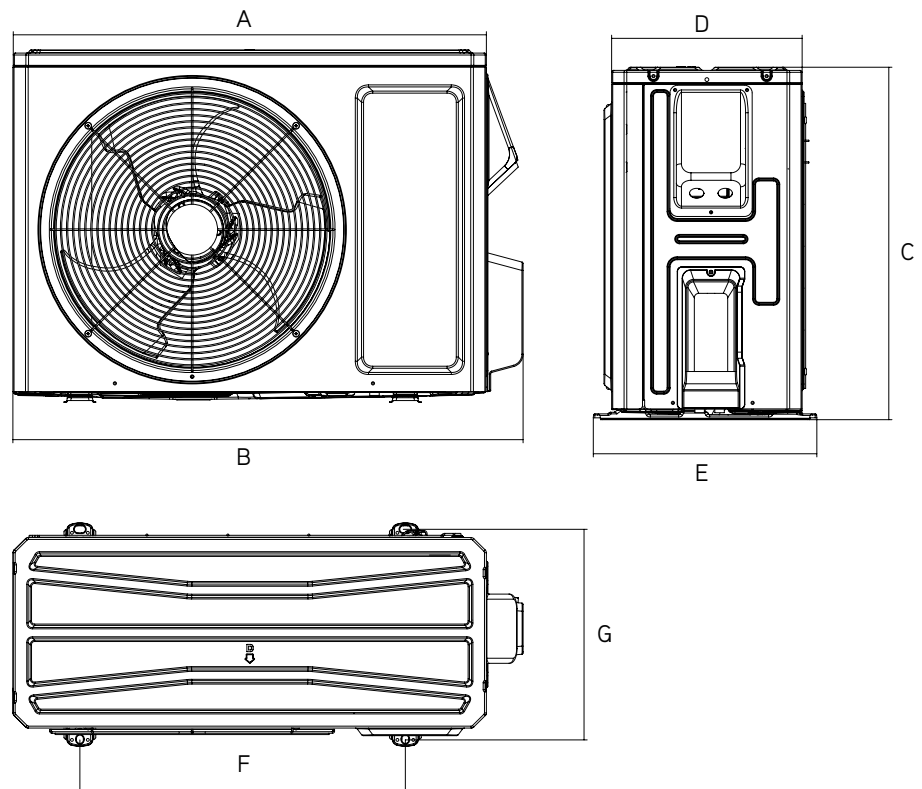
CAS24HP230V1BC	
DIMENSIONS	
A	37-1/2
B	33
C	30-3/4
D	26-3/4
E	5-3/4
F	9-1/2



OUTDOOR UNIT

Unit: inch

3VIR24HP230V1B0	
DIMENSIONS	
A	36-11/32
B	39-3/8
C	29-3/8
D	14-17/32
E	16-13/16
F	24-1/64
G	15-35/64

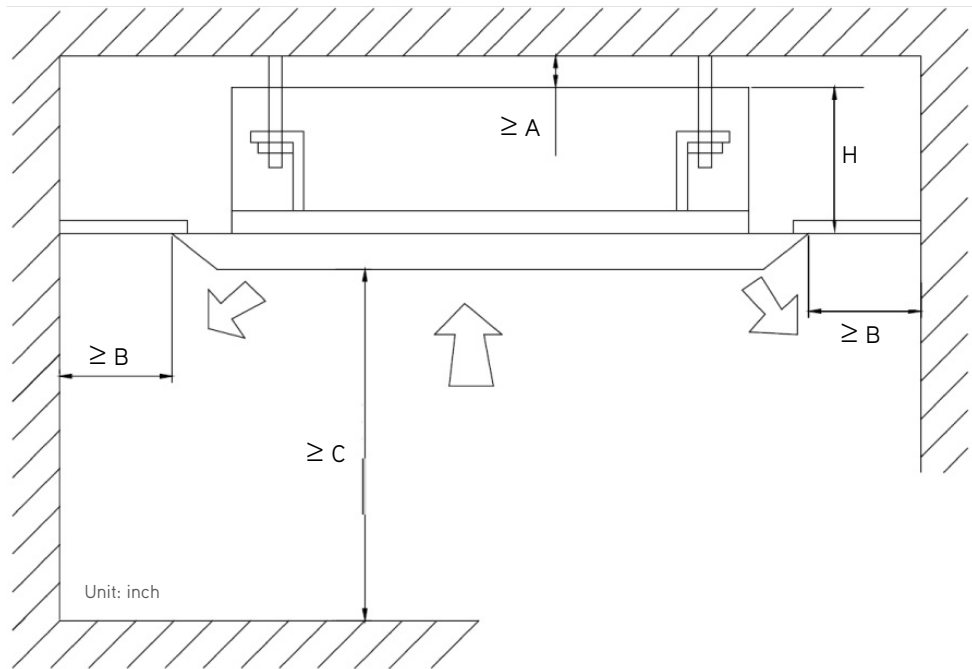


CLEARANCES

INDOOR UNIT

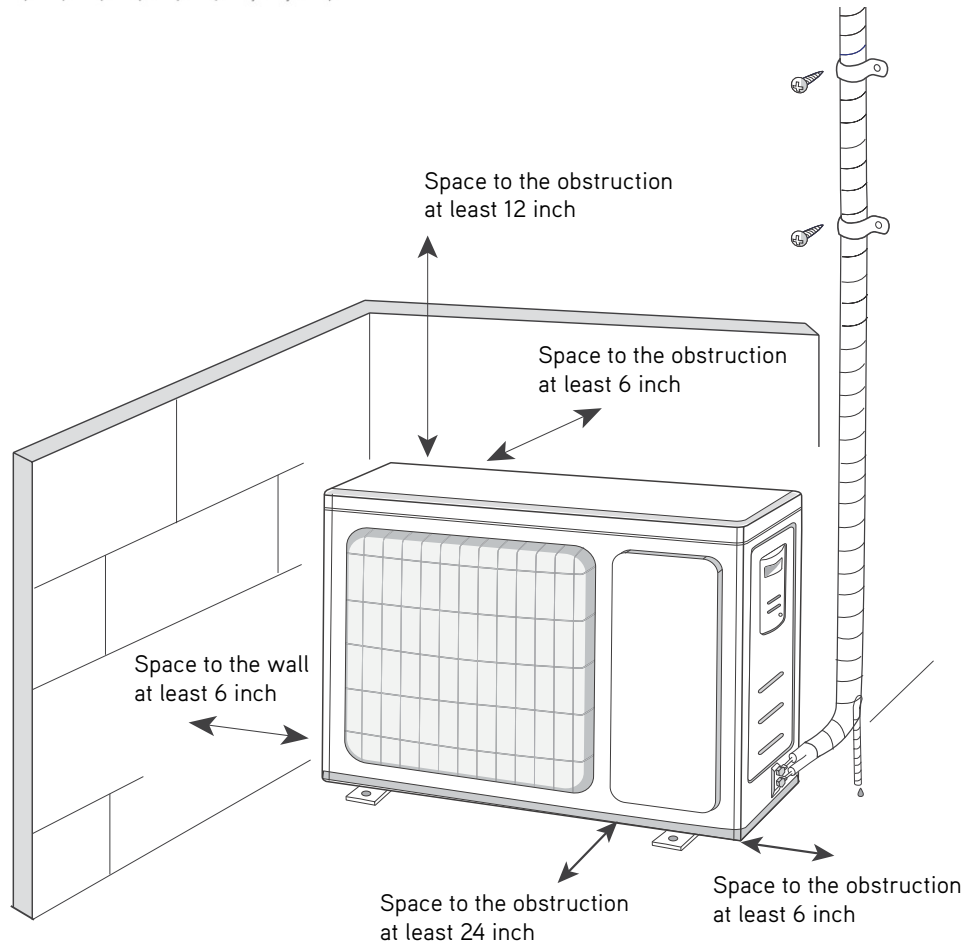
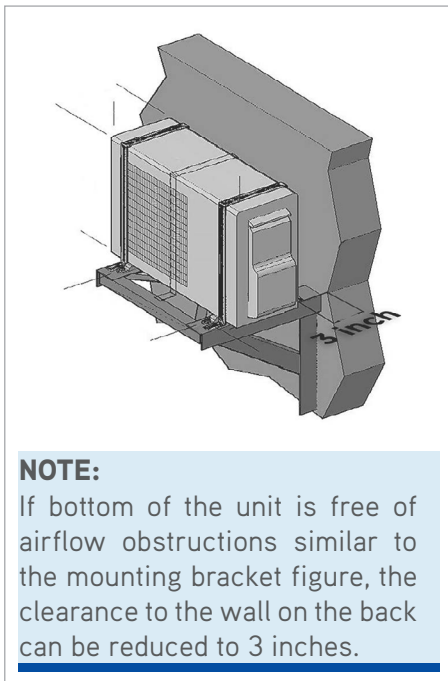
Minimum clearance

CLEARANCES	
A	7/8
B	60
C	98
H	10



OUTDOOR UNIT

Minimum clearance



Specifications are subject to change without notice. Manufacturer reserves the right to discontinue or modify specifications or designs without notice or without incurring obligations. All Rights reserved.