



SUBMITTAL DATA: 3VIR18HP230V1A

18000 BTU/H Floor/Ceiling Heat Pump System

Job Name	Location	Date
Purchaser	Engineer	
Submitted To	For	
Unit Designation	Schedule No.	

YT1F / XK19

FLR18HP230V1BF

3VIR18HP230V1AO



(Optional)



GENERAL FEATURES

AHRI Certificate: [207201632](#)

High Efficiency DC Inverter Technology

Quiet Operation and Multi-Speed Fan

Floor Stand or Ceiling Mount

Multi-Directional Air Flow

Wireless Remote with LCD Display Included

XK19 Wired Controller Included

Low Ambient Cooling down to -20°F (Range -20°F to 122°F)

Low Ambient Heating down to -22°F (Range -22°F to 86°F)

Coil (Indoor and Outdoor) Copper Tube / Aluminum Fin*

*** (Blue Fin) 500 Hrs Salt Spray Tested**

5 Year Limited Compressor & Parts Warranty (Residential Only)

SPECIFICATIONS

3VIR18HP230V1AO / FLR18HP230V1BF

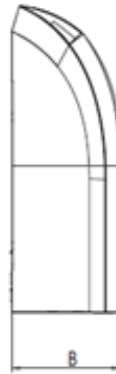
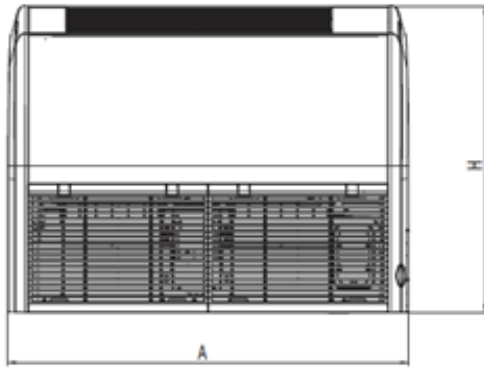
System Type		HEAT PUMP	
SYSTEM PERFORMANCE			
Cooling	Rated Capacity @ 95°F	Btu/h	18000
	Min-Max Capacity	Btu/h	5100 - 21154
Heating	Rated Capacity @ 47°F	Btu/h	18200
	Rated Capacity @ 17°F	Btu/h	12700
	Min-Max Capacity	Btu/h	5800 - 21495
SEER / EER		15 / 10.25	
HSPF / COP		8.5 / 2.6	
Energy Star®		NO	
Cooling Temperature Range		°F	-20 - 122
Heating Temperature Range		°F	-22 - 86
INDOOR UNIT		FLR18HP230V1BF	
Fan Motor Output Power		W	15
Fan Motor FLA		amps	0.9
Air Flow (Min - Max)		CFM	241 - 400
Sound Pressure Level (Cooling / Heating)		dB(A)	27 - 38
Dehumidification		pt/hr	3.8
Condensate Drain Size (OD)		in	1 1/16
Unit Dimension (WxHxD)		in	34 1/4 X 26 1/4 X 9 1/4
Package Dimension (WxHxD)		in	40 1/2 X 30 1/4 X 11 1/4
Weight (Net / Gross)		lbs	66.3 / 67.3
OUTDOOR UNIT		3VIR18HP230V1AO	
Compressor Type		G-10 / 1-Stage Inverter	
Compressor RLA		amps	10.4
Fan Motor Output Power		W	60
Fan Motor RLA		amps	0.45
Sound Pressure Level (Cooling / Heating)		dB(A)	57
Unit Dimension (WxHxD)		in	38 X 27 5/8 X 15 5/8
Package Dimension (WxHxD)		in	40 1/2 X 29 X 18
Weight (Net / Gross)		lbs	103.6 / 113.6
Refrigerant Charge - R410A		oz	56.4
Coil Type		Aluminum Fin / Copper Tube	
REFRIGERANT PIPING			
Line Set Size (Liquid - Gas)		in	1/4 - 5/8
Pre-Charge Length		ft	25
Pipe Length (Min - Max)		ft	10 / 98
Max. Pipe Elevation		ft	66
ELECTRICAL			
Power Supply (Voltage Operating Range)		208-230V / 1Ph / 60Hz	
Rated Current (Cooling / Heating)		amps	6 / 12
MCA / MOCP		amps	15 / 20
Main Power Wire Size		AWG	Size Per Local Code
Interconnecting Wire Size		AWG	14 / 4
LIMITED WARRANTY			

FEATURES & FUNCTIONS SUMMARY**3VIR18HP230V1AO / FLR18HP230V1BF****SYSTEM FEATURES**

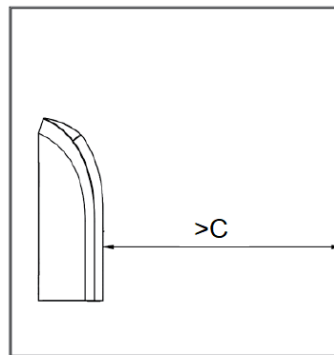
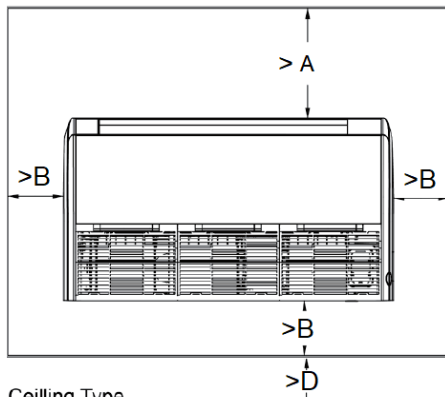
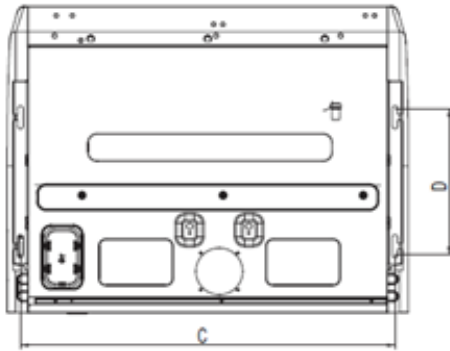
Inverter Type	G10
Ultra Low Frequency Torque Control	Yes
Power Factor Correction	Yes
Compressor Type - Inverter	High Efficiency Rotary
Basepan With Electric Heater	Yes
Indoor & Outdoor Fin Coating (Blue Fin)	Yes
Intelligent Defrosting	Yes
Intelligent Preheating	Yes
Low Voltage Startup	Yes
Memory/Power Failure Recovery	Yes
Self Diagnosis	Yes
Wired Controller Interface	Yes
WiFi Included	No
Indoor Fan Type	Centrifugal
Multi Fan Speeds	4 Speeds
Indoor Unit Display	Yes
Auxiliary Electrical Heater	No
Ventilation (Outdoor Air)	No

REMOTE CONTROLLER FUNCTIONS

Auto Mode	Yes
Auto Fan	Yes
Auto Swing - (Horizontal Auto Swing)	Yes
Auto Swing - (Vertical Auto Swing)	Yes
Clock	Yes
Dry Mode	Yes
Dry Anti-Mildew (X-Fan) Mode	Yes
Energy Saving Mode	Yes
Dirty Filter Alert	No
Fan Speed Control (4 Speeds)	Yes
I Feel Function	Yes
Privacy Lock	Yes
Quiet Mode	Yes
Room Temperature Display	No
Sleep Mode (Normal Sleep)	Yes
4 Sleep Mode Options	No
Timer Mode	Yes
Turbo Mode	Yes
Display On/Off Control	Yes
Freeze Guard Mode	Yes
Power Failure Mode	Yes

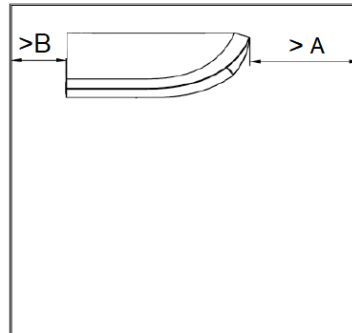
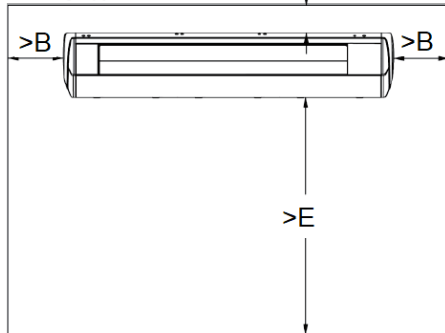


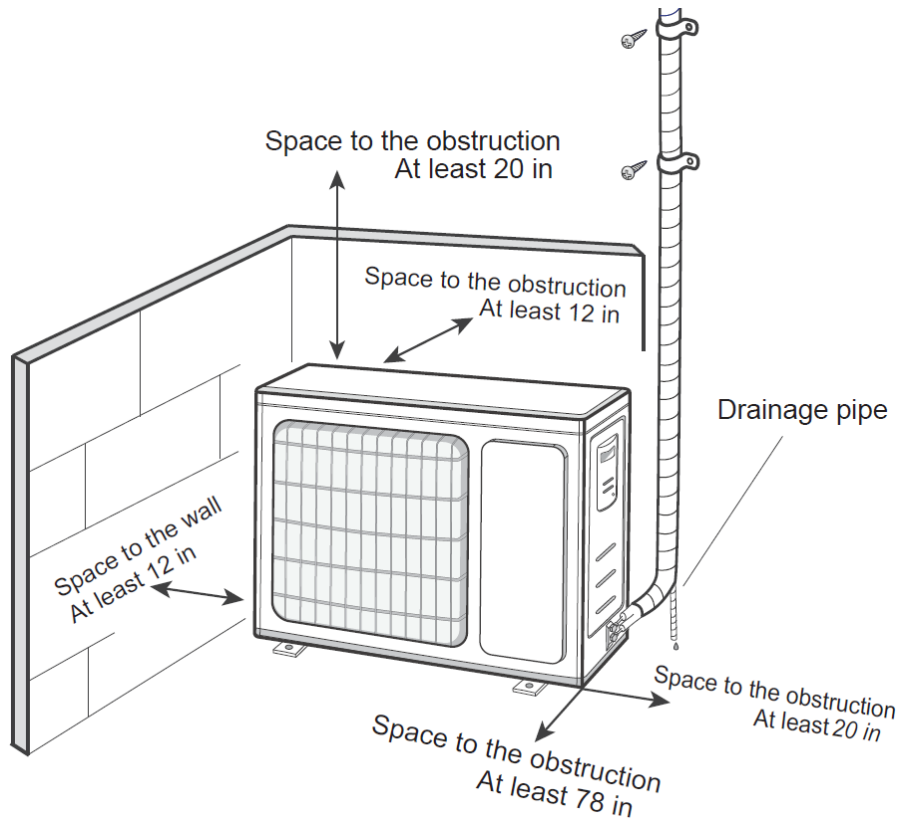
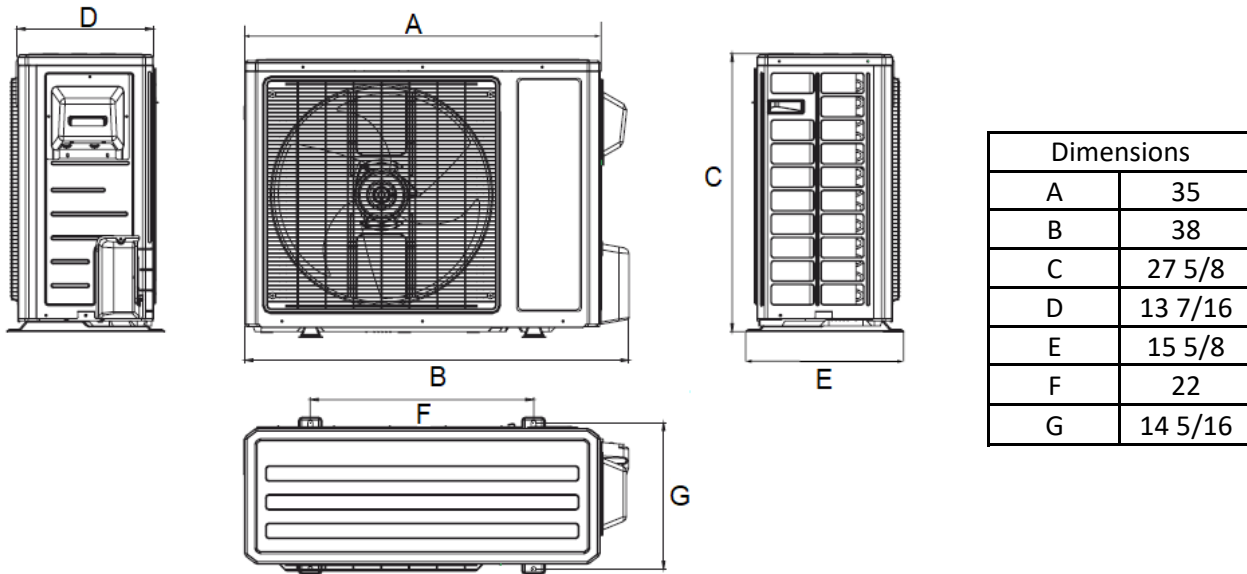
Dimensions	
A	34 1/4
B	9 1/4
C	32
D	12 1/2
H	26 1/4



Dimensions	
A	60
B	12
C	39
D	6
E	90

Ceiling Type





Specifications are subject to change without notice. Manufacturer reserves the right to discontinue or modify specifications or designs without notice or without incurring obligations. All Rights reserved.