

Submittal Data: NEO24HP230V1A 24,000 BTU/H Wall Mounted Heat- Pump System

Job Name Location Date

Purchaser Engineer

Submitted To For Reference Approval Construction

Unit Designation Schedule No.

- GENERAL FEATURES**
- Compact and Quiet Design
 - Energy Star Qualified
 - High Efficiency DC Inverter Technology
 - Wireless Remote with LCD Display
 - Low Ambient Cool to 5 deg F
 - Intelligent Defrost
 - Acrylic Resin/Anti-Corrosion Coil Protection Inside & Out
 - 5 year Limited Parts Warranty
 - 7 year Limited Compressor Warranty



System Ratings

Indoor Unit Data

Cooling	
Rated Capacity	21,400 BTU/H
Capacity Range	9,600-25,000 BTU/H
Power Input (Max)	2,650 W
SEER	18
EER	12.0

Fan Motor	Output Power	60 W
	FLA	0.2 A
Airflow		
Cooling	Wet (Lo/Hi)	353/589 CFM
Heating	Dry (Lo/Hi)	373/630 CFM

Heating at 47° F	
Rated Capacity	23,000 BTU/H
Capacity Range	4,300-26,000 BTU/H
Power Input (Max)	2,750 W
HSPF	10.0
COP	3.2

Sound Pressure Level		
Cooling	(Lo/Hi)	37/53 db(A)
Heating	(Lo/Hi)	37/53 db(A)
Dimensions & Weights		
Unit Dimensions (LxHxD)	39.7 x 12.4 x 8.6-in	
Weight (Net/Shipping)	30/38 LBS	

Heating at 17° F	
Rated Capacity	15,000 BTU/H
Capacity Range	20,085 BTU/H
Power Input (Max)	2,401 W
COP	2.6

Outdoor Unit Data

Compressor	DC Inverter Driven Rotary	
Refrigerant Type	R410A	
Fan Motor	Output Power	90 W
	FLA	1.1 A
Sound Pressure		
Cooling	58 db(A)	
Heating	58 db(A)	

Operating Range		
Cooling	(Max)	109°F (43 C)
	(Min)	5°F (-15 C)
Heating	(Max)	75°F (24 C)
	(Min)	5°F (-15 C)

Dimensions & Weights		
Unit Dimensions (LxHxD)	38.6 x 31.1 x 16.8 -in	
Weight (Net/Shipping)	132/146 LBS	

Power Supply	
Normal Operational Voltage	208/230 V, 1 Phase, 60 Hz
Voltage Range	187 - 253 V
Main Power Wire Size	10-2 AWG
Interconnecting Cable Wire Size	14-4 AWG
MCA	16.0 A
MOCP/Breaker Size	25 A

Refrigerant Piping Data	
Gas Pipe Size (OD)	5/8-in
Liquid Pipe Size (OD)	1/4-in
Connection Method	Flared
MAX Refrigerant Pipe Length	82-ft
MIN Refrigerant Pipe Length	10-ft
MAX Refrigerant Pipe Height Difference	33-ft



EXTENDED RATINGS

COOLING PERFORMANCE

Outdoor Ambient Temperature (DB)	Indoor Entering Air Temperatures (DB) 50% RH					
	62 F		67 F		72 F	
	TC	SHC	TC	SHC	TC	SHC
25 F	28,180	20,924	30,426	22,029	32,525	23,418
35 F	27,276	20,699	29,017	21,183	30,426	21,998
45 F	25,711	19,746	27,436	20,358	29,396	21,312
55 F	24,517	18,976	26,088	19,566	27,967	20,416
65 F	23,449	18,220	25,745	19,540	27,299	19,955
75 F	22,316	17,451	23,991	18,449	26,043	19,220
85 F	21,217	16,846	22,684	17,512	24,855	18,567
95 F	19,945	15,936	21,400	17,099	23,626	17,743
105 F	18,892	15,341	20,304	16,203	22,268	17,102
115 F	17,836	14,697	18,871	15,285	20,346	15,931

HEATING PERFORMANCE

Outdoor Ambient Temperature (DB) (80% RH)	Indoor Entering Air Temperatures (DB)					
	65 F		70 F		75 F	
	TC	SHC	TC	SHC	TC	SHC
5 F	20,177	20,177	19,042	19,042	18,576	18,576
15 F	21,567	21,567	19,676	19,676	19,558	19,558
25 F	22,883	22,883	21,720	21,720	20,484	20,484
35 F	24,161	24,161	22,363	22,363	21,425	21,425
45 F	25,423	25,423	24,561	24,561	23,073	23,073
55 F	25,457	25,457	24,721	24,721	23,640	23,640
65 F	25,337	25,337	24,966	24,966	24,197	24,197

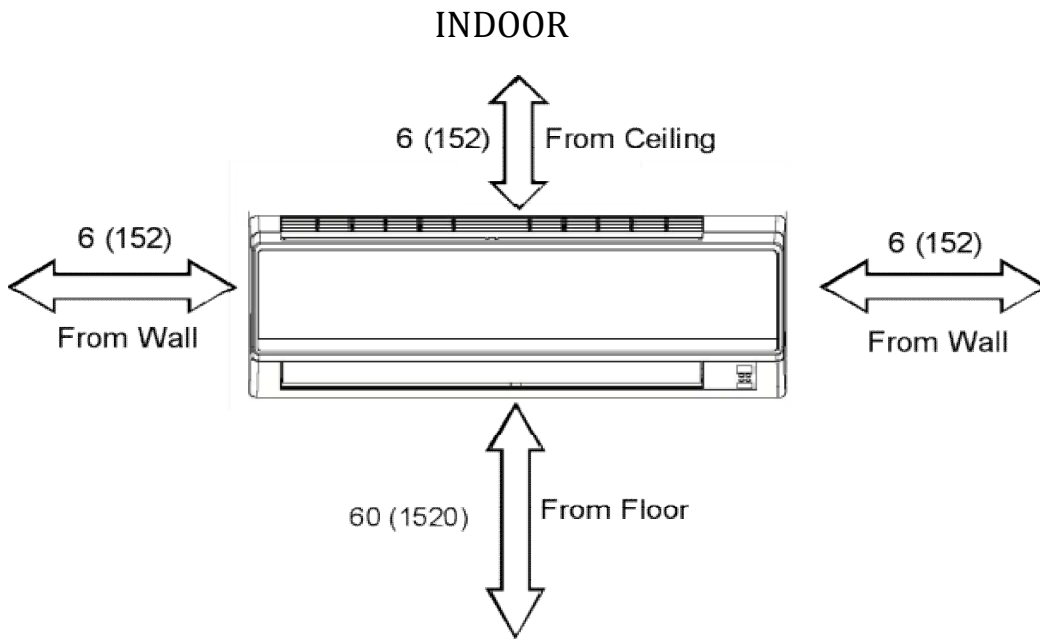
TC- Total Capacity (BtuH)

SHC- Sensible Capacity (BtuH)

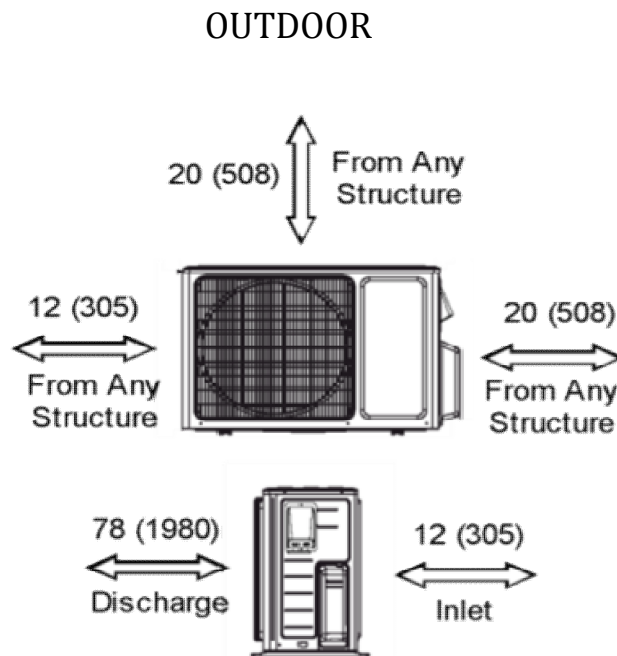


MINIMUM SPACING REQUIREMENTS

Units: inch (mm)



Units: inch (mm)

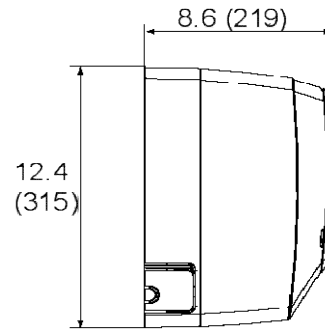
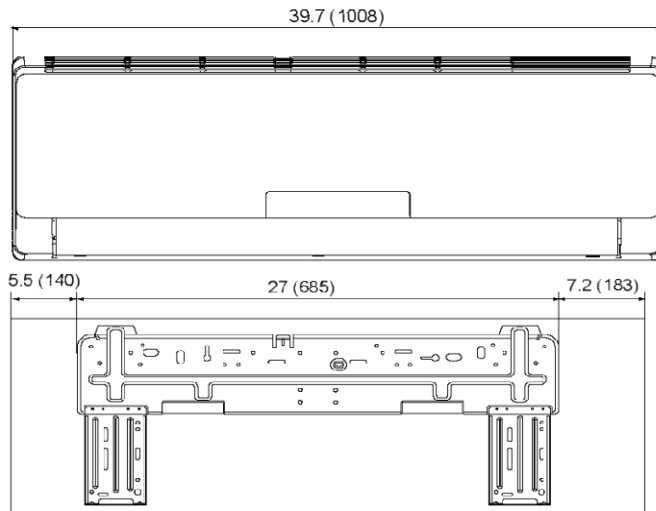


DIMENSIONAL SPECIFICATIONS

NEO24HP230V1A

INDOOR UNIT DIMENSIONS

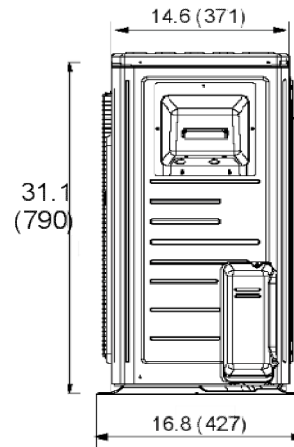
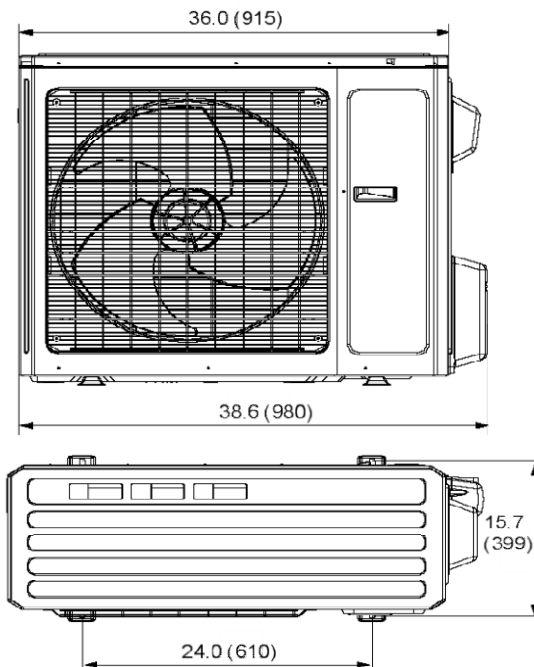
Units: inch (mm)



Liquid Line Valve	1/4-in OD Flared
Gas Line Valve	5/8-in OD Flared
Drain Connector	5/8-in OD

OUTDOOR UNIT DIMENSIONS

Units: inch (mm)



Liquid Line Valve	1/4-in OD Flared
Gas Line Valve	5/8-in OD Flared

Notes:

1. Recommended Interconnecting Cable Type Stranded Bare Copper Conductors THHN 600V Wire
2. Power wiring cable size must comply with applicable national and local codes.
3. Test conditions are based on AHRI 210/240.



www.greecomfort.com

Specifications are subject to change without notice. Manufacturer reserves the right to discontinue or modify specifications or designs without notice or without incurring obligations. All rights reserved.