



**SUBMITTAL DATA: 3VIR12HP230V1A**

**12000 BTU/H Floor/Ceiling Heat Pump System**

Job Name	Location	Date
Purchaser	Engineer	
Submitted To	For	
Unit Designation	Schedule No.	

**YT1F / XK19**

**FLR12HP230V1BF**

**3VIR12HP230V1AO**



(Optional)



## GENERAL FEATURES

**AHRI Certificate: [207201629](#)**

**High Efficiency DC Inverter Technology**

**Quiet Operation and Multi-Speed Fan**

**Floor Stand or Ceiling Mount**

**Multi-Directional Air Flow**

**Wireless Remote with LCD Display Included**

**XK19 Wired Controller Included**

**Low Ambient Cooling down to -20°F (Range -20°F to 122°F)**

**Low Ambient Heating down to -22°F (Range -22°F to 86°F)**

**Coil (Indoor and Outdoor) Copper Tube / Aluminum Fin\***

**\* (Blue Fin) 500 Hrs Salt Spray Tested**

**5 Year Limited Compressor & Parts Warranty (Residential Only)**

## SPECIFICATIONS

## 3VIR12HP230V1AO / FLR12HP230V1BF

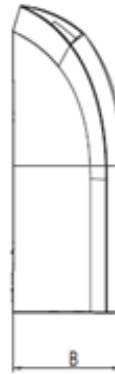
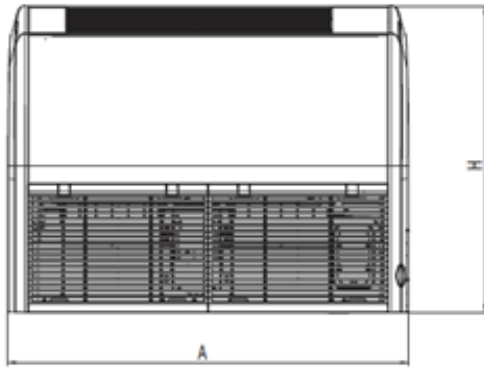
System Type		<b>HEAT PUMP</b>	
<b>SYSTEM PERFORMANCE</b>			
Cooling	Rated Capacity @ 95°F	Btu/h	12000
	Min-Max Capacity	Btu/h	900 - 14100
Heating	Rated Capacity @ 47°F	Btu/h	12000
	Rated Capacity @ 17°F	Btu/h	7200
	Min-Max Capacity	Btu/h	900 - 15500
SEER / EER		19.6 / 12.5	
HSPF / COP		10.5 / 3.5	
Energy Star®		YES	
Cooling Temperature Range		°F	-20 - 122
Heating Temperature Range		°F	-22 - 86
<b>INDOOR UNIT</b>		<b>FLR12HP230V1BF</b>	
Fan Motor Output Power		W	15
Fan Motor FLA		amps	0.9
Air Flow (Min - Max)		CFM	257 - 412
Sound Pressure Level (Cooling / Heating)		dB(A)	26 - 38
Dehumidification		pt/hr	3
Condensate Drain Size (OD)		in	1 1/16
Unit Dimension (WxHxD)		in	34 1/4 X 26 1/4 X 9 1/4
Package Dimension (WxHxD)		in	40 1/2 X 30 1/4 X 11 1/4
Weight (Net / Gross)		lbs	55 / 66.2
<b>OUTDOOR UNIT</b>		<b>3VIR12HP230V1AO</b>	
Compressor Type		G-10 / 1-Stage Inverter	
Compressor RLA		amps	6.6
Fan Motor Output Power		W	30
Fan Motor RLA		amps	0.37
Sound Pressure Level (Cooling / Heating)		dB(A)	52
Unit Dimension (WxHxD)		in	35 3/8 X 23 1/2 X 14 7/8
Package Dimension (WxHxD)		in	37 3/16 X 24 7/8 X 16 1/2
Weight (Net / Gross)		lbs	83.8/90.4
Refrigerant Charge - R410A		oz	47.3
Coil Type		Aluminum Fin / Copper Tube	
<b>REFRIGERANT PIPING</b>			
Line Set Size (Liquid - Gas)		in	1/4 - 1/2
Pre-Charge Length		ft	25
Pipe Length (Min - Max)		ft	10 / 66
Max. Pipe Elevation		ft	33
<b>ELECTRICAL</b>			
Power Supply (Voltage Operating Range)		208-230V / 1Ph / 60Hz	
Rated Current (Cooling / Heating)		amps	4 / 7.5
MCA / MOCP		amps	10 / 15
Main Power Wire Size		AWG	Size Per Local Code
Interconnecting Wire Size		AWG	14 / 4
<b>LIMITED WARRANTY</b>			

**FEATURES & FUNCTIONS SUMMARY****3VIR12HP230V1AO / FLR12HP230V1BF****SYSTEM FEATURES**

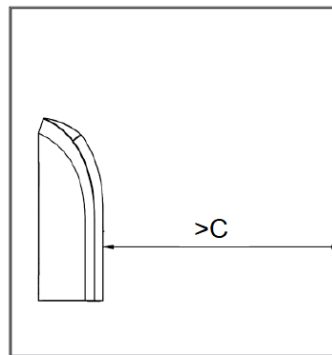
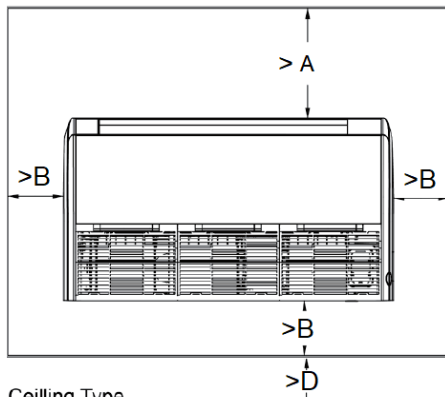
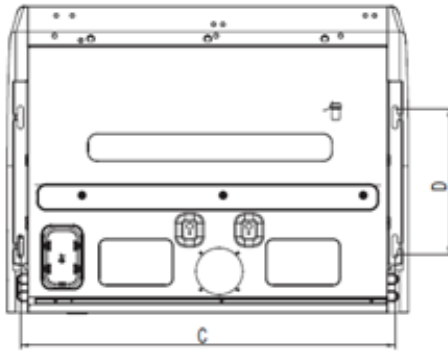
Inverter Type	G10
Ultra Low Frequency Torque Control	Yes
Power Factor Correction	Yes
Compressor Type - Inverter	High Efficiency Rotary
Basepan With Electric Heater	Yes
Indoor & Outdoor Fin Coating (Blue Fin)	Yes
Intelligent Defrosting	Yes
Intelligent Preheating	Yes
Low Voltage Startup	Yes
Memory/Power Failure Recovery	Yes
Self Diagnosis	Yes
Wired Controller Interface	Yes
WiFi Included	No
Indoor Fan Type	Centrifugal
Multi Fan Speeds	4 Speeds
Indoor Unit Display	Yes
Auxiliary Electrical Heater	No
Ventilation (Outdoor Air)	No

**REMOTE CONTROLLER FUNCTIONS**

Auto Mode	Yes
Auto Fan	Yes
Auto Swing - (Horizontal Auto Swing)	Yes
Auto Swing - (Vertical Auto Swing)	Yes
Clock	Yes
Dry Mode	Yes
Dry Anti-Mildew (X-Fan) Mode	Yes
Energy Saving Mode	Yes
Dirty Filter Alert	No
Fan Speed Control (4 Speeds)	Yes
I Feel Function	Yes
Privacy Lock	Yes
Quiet Mode	Yes
Room Temperature Display	No
Sleep Mode (Normal Sleep)	Yes
4 Sleep Mode Options	No
Timer Mode	Yes
Turbo Mode	Yes
Display On/Off Control	Yes
Freeze Guard Mode	Yes
Power Failure Mode	Yes

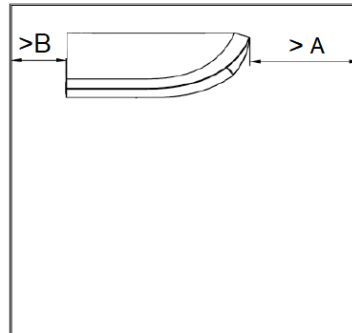
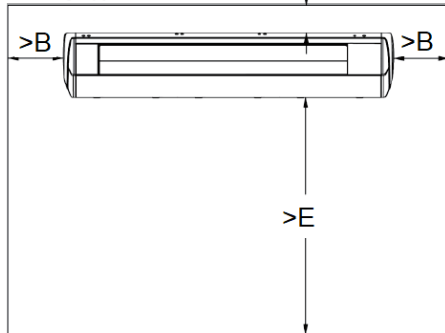


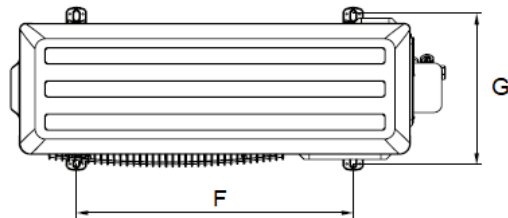
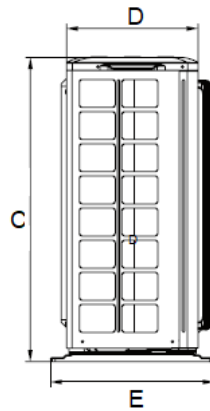
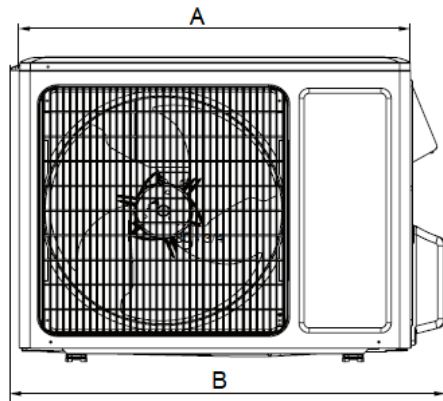
Dimensions	
A	34 1/4
B	9 1/4
C	32
D	12 1/2
H	26 1/4



Dimensions	
A	60
B	12
C	39
D	6
E	90

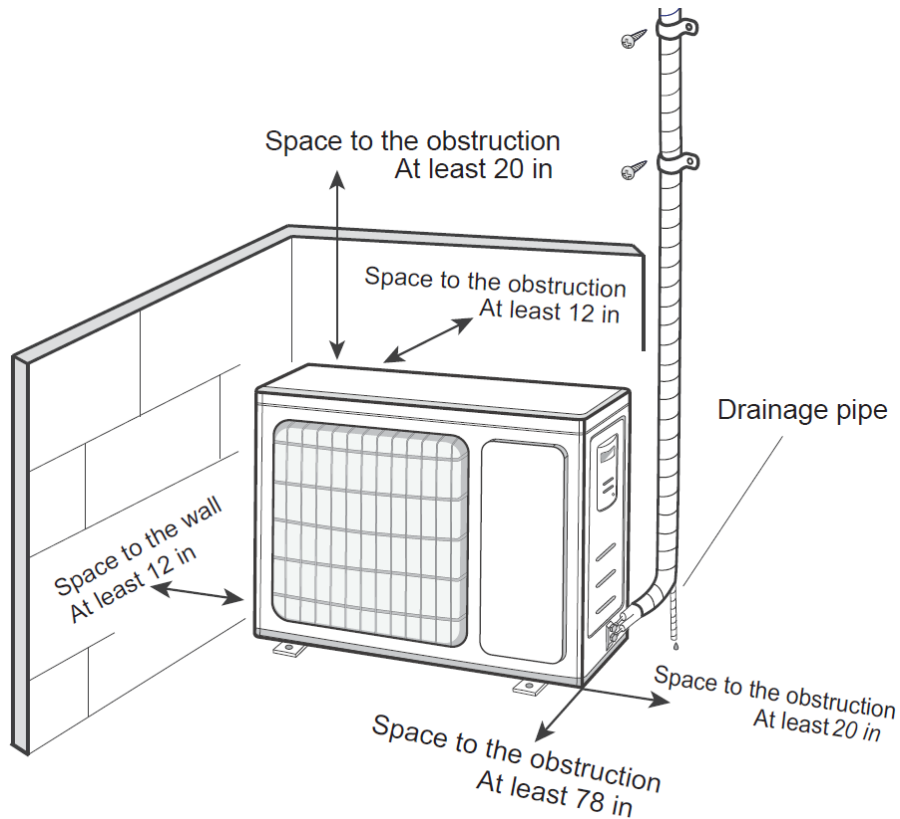
Ceiling Type





Dimensions	
A	30 3/4
B	33 3/8
C	23 1/2
D	10 1/8
E	12 5/8
F	21 5/16
G	11 5/16

Unit: inch



Specifications are subject to change without notice. Manufacturer reserves the right to discontinue or modify specifications or designs without notice or without incurring obligations. All Rights reserved.