



SUBMITTAL DATA: 3VIR12HP230V1AH		12000 BTU/H Wall Mounted
Job Name	Location	Date
Purchaser	Engineer	
Submitted To	For	
Unit Designation	Schedule No.	

YAP1F7F 3VIR12HP230V1AH XE71



Optional

GENERAL FEATURES

- AHRI Certificate: See Matching or Paired Outdoor Unit AHRI Certificate**
- High Efficiency DC Inverter Technology**
- Compact and Quiet Design**
- Auto-Clean Function**
- Wireless Remote with LCD Display**
- Wired Controller Options**
- Wi-Fi Included (Factory Installed)**
- Low Ambient Cooling Based on Outdoor Unit Performance**
- Low Ambient Heating Based on Outdoor Unit Performance**

Coil (Indoor and Outdoor) Copper Tube / Aluminum Fin*
***(Blue Fin) 500 Hrs Salt Spray Tested**

Limited Warranty: 5 Year Parts, 7 Years Compressor - Residential & Commercial

SPECIFICATIONS

3VIR12HP230V1AH

System Type **HEAT PUMP**

SYSTEM PERFORMANCE

Cooling	Rated Capacity @ 95°F	Btu/h	See Outdoor Unit Submittals -Connected Unit Capacities
	Min-Max Capacity	Btu/h	3071 - 14100
Heating	Rated Capacity @ 47°F	Btu/h	See Outdoor Unit Submittals -Connected Unit Capacities
	Min-Max Capacity	Btu/h	3071 - 15500
SEER / EER			Based on Outdoor Unit Performance
HSPF / COP			Based on Outdoor Unit Performance
Energy Star®			Based on Outdoor Unit Performance
Cooling Temperature Range		°F	Based on Outdoor Unit Performance
Heating Temperature Range		°F	Based on Outdoor Unit Performance

INDOOR UNIT **3VIR12HP230V1AH**

Fan Motor Output Power	W	15
Fan Motor FLA	amps	0.2
Air Flow (Min - Max)	CFM	230 - 400
Sound Pressure Level (Cooling / Heating)	dB(A)	27 - 43
Dehumidification	pt/hr	3
Condensate Drain Size (OD)	in	5 / 8
Unit Dimension (WxHxD)	in	32 1/2 X 11 1/2 X 7 3/4
Package Dimension (WxHxD)	in	34 1/4 X 13 3/4 X 10 1/8
Weight (Net / Gross)	lbs	21 /25.4

REFRIGERANT PIPING

Line Set Size (Liquid - Gas)	in	1/4 - 1/2
------------------------------	----	-----------

ELECTRICAL

Power Supply (Voltage Operating Range)	Powered by Outdoor Unit	
Rated Current (Cooling / Heating)	amps	4 / 7.5
MCA / MOCP	amps	10 / 15
Main Power Wire Size	AWG	Size Per Local Code
Interconnecting Wire Size	AWG	14 / 4

LIMITED WARRANTY **5 Years Parts, 7 Years Compressor - Residential & Commercial**

FEATURES & FUNCTIONS SUMMARY

3VIR12HP230V1AH

SYSTEM FEATURES

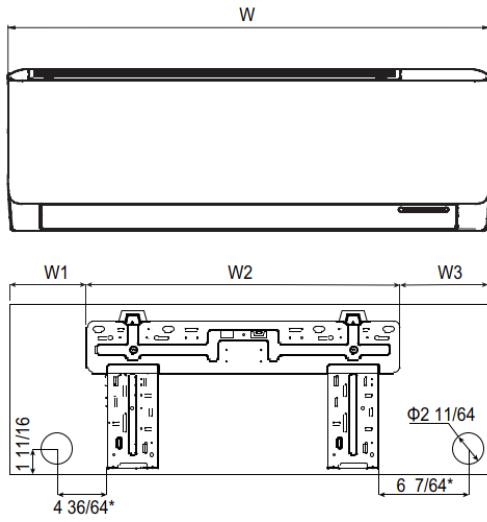
Wired Controller Interface (XE71 or XK76 optional)	Yes
WiFi Included	Yes
NEW! Easy Service Access	Yes
Indoor Fan Type	Crossflow
Multi Fan Speeds	7 Speeds
Indoor Unit Display	Yes
Auxiliary Electrical Heater	No
Ventilation (Outdoor Air)	No

REMOTE CONTROLLER FUNCTIONS

NEW! Auto Clean	Yes
Auto Mode	Yes
Auto Fan	Yes
Auto Swing (Horizontal Auto Swing)	Yes
Auto Swing - 180° (Vertical Auto Swing)	Yes
Clock	Yes
Dry Mode	Yes
Dry Anti-Mildew (X-Fan) Mode	Yes
Energy Saving Mode	Yes
Dirty Filter Alert	No
Fan Speed Control (7 Speeds)	Yes
I Feel Function	Yes
Privacy Lock	Yes
Quiet Mode	Yes
Room Temperature Display	No
Sleep Mode	Yes
3 Sleep Mode Options	Yes
Timer Mode	Yes
Turbo Mode	Yes
Display On/Off Control	Yes
Freeze Guard Mode	Yes
Power Failure Mode	Yes

DIMENSIONS & CLEARANCES

3VIR12HP230V1AH



Dimensions	
W	32 1/2
D	7 3/4
H	11 1/2
W1	4 7/16
W2	21 3/8
W3	6 11/16

