





| SUBMITTAL DATA: FLEXX24C | | |
|--------------------------|--------------|---------------------------------------|
| FLEXX36HP230V1AO | | 24000 BTU/H A-Coil for HP / AC System |
| FLEXX36AC230V1AO | | |
| Job Name | Location | Date |
| Purchaser | Engineer | |
| Submitted To | For | |
| Unit Designation | Schedule No. | |

| FLEXX24C | FLEXX36HP230V1AO / FLEXX36AC230V1AO |
|--|--|
|  |  |
| GENERAL FEATURES | |

High Efficiency DC Inverter Technology
Compact and Quiet 55 dB(A) Side Discharge Outdoor Unit
Zero Lot Line Design
Match with Gree or Competitive Indoor Unit
Designed for New Construction or Replacement Market
24VAC Thermostat Compatible

Low Ambient Cooling down to 5°F

Low Ambient Heating down to -22°F

Acrylic Resin/Anti-Corrosion Fin Coating (Blue - 500 Hr Salt Spray Rating)

5 Year Limited Compressor & Parts Warranty (Residential Only)

| SPECIFICATIONS | | FLEXX24C / FLEXX36HP230V1AO | |
|--|-----------------------------------|---|-----------------------------|
| System Type | | HEAT PUMP | |
| SYSTEM PERFORMANCE | | | |
| Cooling | Rated Capacity @ 95°F | Btu/h | 24000 |
| | Min-Max Capacity | Btu/h | 12000 - 24000 |
| Heating | Rated Capacity @ 47°F | Btu/h | 24000 |
| | Rated Capacity @ 17°F | Btu/h | 16300 |
| | Min-Max Capacity | Btu/h | 12000 - 30000 |
| SEER / EER | | 20 / 12.5 | |
| HSPF / COP | | 10.5 / 4.2 | |
| Energy Star® | | YES | |
| Cooling Temperature Range | | °F | 5 - 129 |
| Heating Temperature Range | | °F | -22 - 75 |
| INDOOR UNIT | | FLEXX24C | |
| Dehumidification | | pt/hr | 6.03 |
| Condensate Drain Size (OD) | | in | 3 / 4 |
| Unit Dimension (WxHxD) | | in | 17 1/2 × 23 × 21 1/4 |
| Package Dimension (WxHxD) | | in | 21 × 25 13/16 × 27 1/8 |
| Refrigerant Charge - R410A | | lbs | 88 |
| Weight (Net / Gross) | | kW | 64 / 75 |
| OUTDOOR UNIT | | FLEXX36HP230V1AO | |
| Compressor Type | | Inverter Rotary | |
| Compressor RLA | | amps | 16 |
| Fan Motor Output Power | | W | 149 |
| Fan Motor | | amps | 1.5 |
| Sound Pressure Level (Cooling / Heating) | | dB(A) | 55 |
| Unit Dimension (WxHxD) | | in | 32 1/4 x 37 x 18 1/8 |
| Package Dimension (WxHxD) | | in | 38 3/8 × 42 11/16 × 22 9/16 |
| Weight (Net / Gross) | | lbs | 217 / 240 |
| Refrigerant Charge - R410A | | oz | 148 |
| Coil Type (Blue Fin) | | Copper Tube / Aluminum Fin | |
| REFRIGERANT PIPING | | | |
| Line Set Size (Liquid - Gas) | | in | 3/8 - 3/4 |
| Pre-Charge Length | | ft | 31 |
| Additional Charge | | oz/ft | 0.32 |
| Pipe Length (Min - Max) | | ft | 10 - 100 |
| Max. Pipe Elevation | | ft | 50 |
| ELECTRICAL | | | |
| Power Supply (Voltage Operating Range) | | 208/230V / 1Ph / 60 Hz | |
| Outdoor Unit | Rated Current (Cooling / Heating) | amps | 21 / 25 |
| | MCA / MOCP | amps | 24 / 35 |
| Main Power Wire Size | | AWG | Size Per Local Code |
| LIMITED WARRANTY | | 5 Years Parts and Compressor - Residential | |

| COOLING PERFORMANCE | | | | | | HEATING PERFORMANCE | | | | |
|----------------------------------|-------|------------------------|-------|------|-----------------|----------------------------------|-------|------------------------|------|-----------------|
| Outdoor Ambient Temperature (DB) | | Return Air Temperature | | | | Outdoor Ambient Temperature (DB) | | Return Air Temperature | | |
| | | 80°F (DB) | | | | | | 70°F (DB) | | |
| | | TC (Btu/h) | SHR | EER | Power Input (W) | | | TC (Btu/h) | COP | Power Input (W) |
| MAX OUTPUT | 5°F | 24000 | 78.5% | 20.7 | 1160 | MAX OUTPUT | -22°F | 18700 | 1.40 | 3920 |
| | 10°F | 24000 | 78.8% | 20.5 | 1170 | | -20°F | 19500 | 1.45 | 3950 |
| | 15°F | 24000 | 80.0% | 20.2 | 1190 | | -15°F | 22000 | 1.61 | 4000 |
| | 20°F | 24000 | 79.0% | 20.0 | 1200 | | -10°F | 23000 | 1.65 | 4100 |
| | 25°F | 24000 | 79.6% | 19.8 | 1210 | | -5°F | 24000 | 1.68 | 4200 |
| | 30°F | 24000 | 79.8% | 19.7 | 1220 | | 0°F | 24000 | 1.85 | 3800 |
| | 35°F | 24000 | 78.9% | 19.2 | 1250 | | 5°F | 24000 | 2.10 | 3350 |
| | 40°F | 24000 | 79.5% | 18.9 | 1270 | | 10°F | 24000 | 2.23 | 3150 |
| | 45°F | 24000 | 79.2% | 18.2 | 1320 | | 15°F | 24000 | 2.35 | 3000 |
| | 50°F | 24000 | 78.5% | 17.5 | 1370 | | 17°F | 24000 | 2.43 | 2900 |
| | 55°F | 24000 | 78.8% | 17.2 | 1395 | | 20°F | 24000 | 2.61 | 2700 |
| | 60°F | 24000 | 79.0% | 16.9 | 1420 | | 25°F | 24000 | 2.82 | 2500 |
| | 65°F | 24000 | 80.0% | 16.6 | 1450 | | 30°F | 24000 | 2.99 | 2350 |
| | 70°F | 24000 | 79.5% | 16.1 | 1490 | | 35°F | 24000 | 3.09 | 2280 |
| | 75°F | 24000 | 79.8% | 15.7 | 1530 | | 40°F | 25000 | 3.46 | 2120 |
| | 80°F | 25000 | 78.4% | 14.7 | 1700 | | 45°F | 25000 | 3.58 | 2050 |
| | 85°F | 25000 | 79.5% | 13.4 | 1870 | | 47°F | 26000 | 3.85 | 1980 |
| | 90°F | 25000 | 79.7% | 12.5 | 2000 | | 50°F | 26000 | 3.91 | 1950 |
| | 95°F | 25000 | 80.0% | 11.6 | 2150 | | 55°F | 27000 | 3.96 | 2000 |
| | 100°F | 24000 | 78.8% | 10.9 | 2210 | | 60°F | 28000 | 3.91 | 2100 |
| | 105°F | 24000 | 79.0% | 10.3 | 2340 | | 65°F | 28000 | 4.01 | 2050 |
| | 110°F | 24000 | 79.0% | 9.6 | 2500 | | 70°F | 28000 | 4.11 | 2000 |
| | 115°F | 24000 | 81.0% | 8.9 | 2700 | | 75°F | 24000 | 4.14 | 1700 |
| | 120°F | 23000 | 76.6% | 8.2 | 2800 | | | | | |
| 125°F | 22000 | 75.5% | 7.7 | 2870 | | | | | | |
| 129°F | 22000 | 71.0% | 7.6 | 2900 | | | | | | |

LEGEND: W - Watts
 DB - Dry Bulb
 TC - Total Capacity
 SHR - Sensible Heat Ratio
 COP - Coefficient of Performance

| SPECIFICATIONS | | FLEXX24C / FLEXX36AC230V1AO | |
|--|-----------------------|--|-----------------------------|
| System Type | | AIR CONDITIONER | |
| SYSTEM PERFORMANCE | | | |
| Cooling | Rated Capacity @ 95°F | Btu/h | 24000 |
| | Min-Max Capacity | Btu/h | 12000 - 24000 |
| SEER / EER | | 20 / 12.5 | |
| Energy Star® | | NO | |
| Cooling Temperature Range | | °F | 40 - 118 |
| INDOOR COIL | | FLEXX24C | |
| Dehumidification | | pt/hr | 6.03 |
| Condensate Drain Size (OD) | | in | 3 / 4 |
| Unit Dimension (WxHxD) | | in | 17 1/2 × 23 × 21 1/4 |
| Package Dimension (WxHxD) | | in | 21 × 25 13/16 × 27 1/8 |
| Refrigerant Charge - R410A | | oz | 88 |
| Weight (Net / Gross) | | lbs | 64 / 75 |
| OUTDOOR UNIT | | FLEXX36AC230V1AO | |
| Compressor Type | | Inverter Rotary | |
| Compressor RLA | | amps | 16 |
| Fan Motor Output Power | | W | 149 |
| Fan Motor | | amps | 1.5 |
| Sound Pressure Level | | dB(A) | 55 |
| Unit Dimension (WxHxD) | | in | 32 1/4 x 37 x 18 1/8 |
| Package Dimension (WxHxD) | | in | 38 3/8 × 42 11/16 × 22 9/16 |
| Weight (Net / Gross) | | lbs | 217 / 240 |
| Refrigerant Charge - R410A | | oz | 118.2 |
| Coil Type (Blue Fin) | | Copper Tube / Aluminum Fin | |
| REFRIGERANT PIPING | | | |
| Line Set Size (Liquid - Gas) | | in | 3/8 - 3/4 |
| Pre-Charge Length | | ft | 31 |
| Additional Charge | | oz/ft | 0.32 |
| Pipe Length (Min - Max) | | ft | 10 - 100 |
| Max. Pipe Elevation | | ft | 50 |
| ELECTRICAL | | | |
| Power Supply (Voltage Operating Range) | | 208/230V / 1Ph / 60 Hz | |
| Outdoor Unit | Rated Current | amps | 21 |
| | MCA / MOCP | amps | 24 / 35 |
| Main Power Wire Size | | AWG | Size Per Local Code |
| LIMITED WARRANTY | | 5 Years Parts and Compressor - Residential | |

| COOLING PERFORMANCE | | | | | |
|----------------------------------|-------|------------------------|-------|------|-----------------|
| Outdoor Ambient Temperature (DB) | | Return Air Temperature | | | |
| | | 80°F (DB) | | | |
| | | TC (Btu/h) | SHR | EER | Power Input (W) |
| MAX OUTPUT | 40°F | 24000 | 79.5% | 19.2 | 1250 |
| | 45°F | 24000 | 79.2% | 18.5 | 1300 |
| | 50°F | 24000 | 78.5% | 17.8 | 1350 |
| | 55°F | 24000 | 78.8% | 17.5 | 1375 |
| | 60°F | 24000 | 79.0% | 17.1 | 1400 |
| | 65°F | 24000 | 80.0% | 16.8 | 1430 |
| | 70°F | 24000 | 79.5% | 16.3 | 1470 |
| | 75°F | 24000 | 79.8% | 15.9 | 1510 |
| | 80°F | 25000 | 78.4% | 14.9 | 1680 |
| | 85°F | 25000 | 79.5% | 13.5 | 1850 |
| | 90°F | 25000 | 79.7% | 12.6 | 1980 |
| | 95°F | 25000 | 80.0% | 11.7 | 2130 |
| | 100°F | 24000 | 78.8% | 11.0 | 2190 |
| | 105°F | 24000 | 79.0% | 10.3 | 2320 |
| | 110°F | 24000 | 79.0% | 9.7 | 2480 |
| 115°F | 24000 | 81.0% | 9.0 | 2680 | |
| 118°F | 23000 | 76.6% | 8.3 | 2780 | |

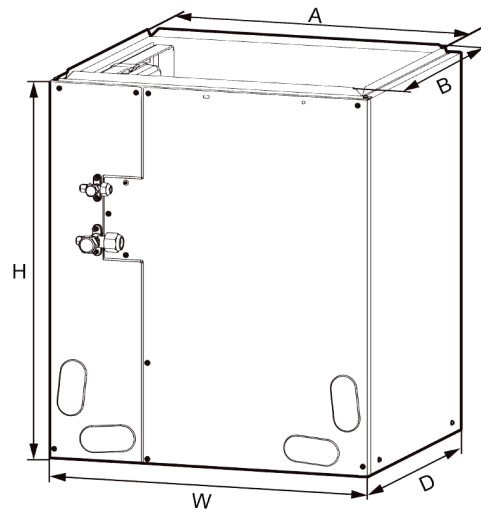
LEGEND: W - Watts
 DB - Dry Bulb
 TC - Total Capacity
 SHR - Sensible Heat Ratio

FEATURES SUMMARY**FLEXX24C / FLEXX36HP230V1AO****SYSTEM FEATURES**

| | |
|--|---------------|
| Compressor | Inverter |
| Ultra Low Frequency Torque Control | YES |
| Power Factor Correction | YES |
| Compressor Type | Rotary |
| Refrigerant Type | R410A |
| Outdoor Electronic Expansion Valve (EEV) | YES |
| Indoor TXV Control | YES |
| Basepan With Electric Heater | YES |
| Compressor With Electric Heater | YES |
| Fin Coating (Outdoor & Indoor) | Acrylic Resin |
| Intelligent Defrosting | YES |
| Intelligent Preheating | YES |
| Low Voltage Startup | YES |
| Memory/Power Failure Recovery | YES |
| Self Diagnosis | YES |

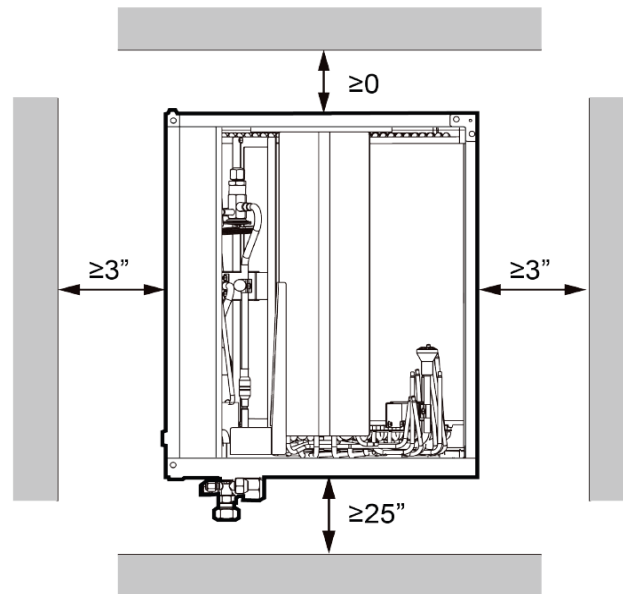
FEATURES SUMMARY**FLEXX24C / FLEXX36AC230V1AO****SYSTEM FEATURES**

| | |
|--|--------|
| Inverter Type | G10 |
| Ultra Low Frequency Torque Control | Yes |
| Power Factor Correction | Yes |
| Compressor Type | Rotary |
| Basepan With Electric Heater | No |
| Indoor & Outdoor Fin Coating | Yes |
| Low Voltage Startup | Yes |
| Memory/Power Failure Recovery | Yes |
| Self Diagnosis | Yes |
| Smart Thermostat / 24V Thermostat Compatible | Yes |



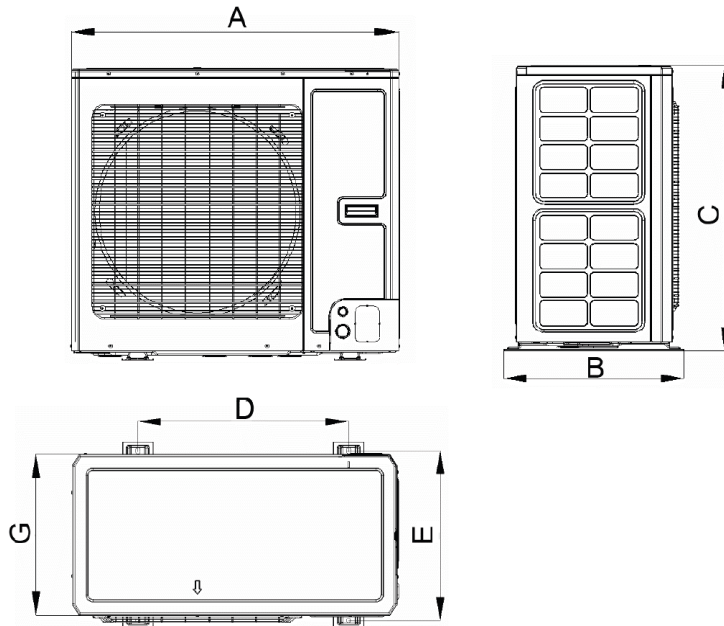
| Dimensions | |
|------------|--------|
| A | 15 7/8 |
| B | 19 3/8 |
| H | 23 |
| W | 17 1/2 |
| D | 21 1/4 |

Unit = inch

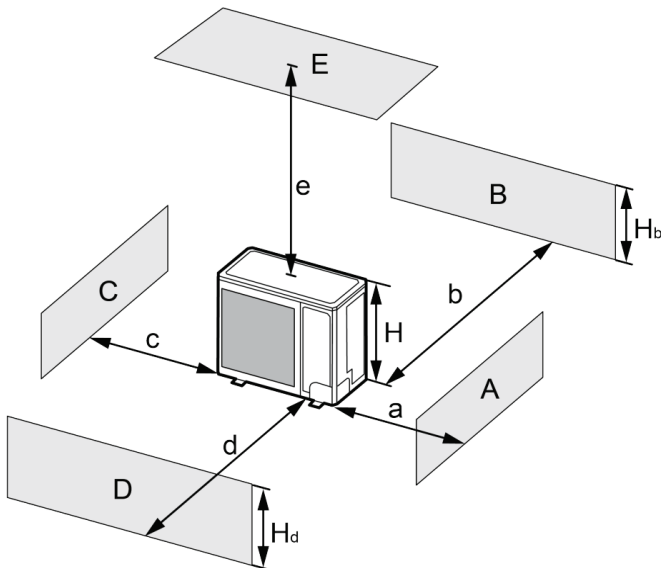


When installing the coil, take consideration to minimize the length of refrigerant tubing as much as possible. Do not install the air handler in a location either above or below the condenser that violates the instructions provided with the condenser. Service clearance is to take precedence. Allow a minimum of 25" in front of the unit for service clearance, as shown below.

The drain pan must be at least 2" away from a standard gas-fired furnace heat exchanger and at least 4"-6" away from any drum-type or oil-fired furnace heat exchanger, depending on furnace model. Closer spacing may damage the drain pan and cause a leak.

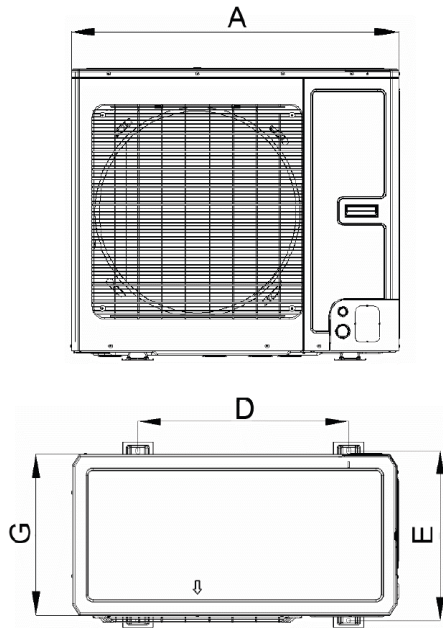


| Dimensions | |
|------------|--------|
| A | 37 |
| B | 20 1/8 |
| C | 32 1/4 |
| D | 24 |
| E | 19 1/8 |
| G | 18 1/8 |

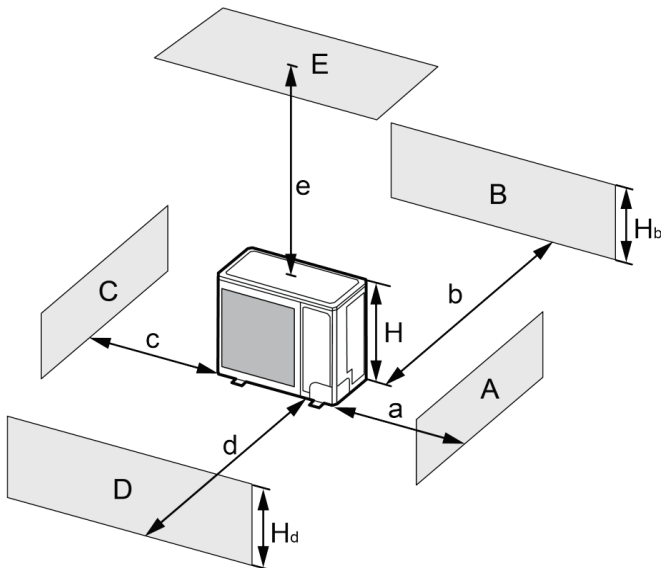


| A~E | H _b | H _d | H | (in) | | | | |
|---------|---------------------------------|---------------------------|------------|------|-----|-----|------|------|
| | | | | a | b | c | d | e |
| B | — | — | — | - | ≥ 4 | - | - | - |
| A,B,C, | — | — | — | ≥ 12 | ≥ 4 | ≥ 4 | - | - |
| B,E | — | — | — | - | ≥ 4 | - | - | ≥ 40 |
| A,B,C,E | — | — | — | ≥ 12 | ≥ 6 | ≥ 6 | - | ≥ 40 |
| D | — | — | — | - | - | - | ≥ 40 | - |
| D,E | — | — | — | - | - | - | ≥ 40 | ≥ 40 |
| B,D | H _b < H _d | H _d > H | — | ≥ 4 | - | - | ≥ 40 | - |
| | H _b > H _d | H _d < H | - | ≥ 4 | - | - | ≥ 40 | - |
| B,D,E | H _b < H _d | H _b ≤ 1/2H | - | ≥ 10 | - | - | ≥ 80 | ≥ 40 |
| | | 1/2H < H _b ≤ H | - | ≥ 10 | - | - | ≥ 80 | ≥ 40 |
| | | H _b > H | Prohibited | | | | | |
| | H _b > H _d | H _d ≤ 1/2H | - | ≥ 4 | - | - | ≥ 80 | ≥ 40 |
| | | 1/2H < H _d ≤ H | - | ≥ 8 | - | - | ≥ 80 | ≥ 40 |
| | H _d > H | Prohibited | | | | | | |

Specifications are subject to change without notice. Manufacturer reserves the right to discontinue or modify specifications or designs without notice or without incurring obligations. All Rights reserved.



| Dimensions | |
|------------|--------|
| A | 37 |
| B | 20 1/8 |
| C | 32 1/4 |
| D | 24 |
| E | 19 1/8 |
| G | 18 1/8 |



| A~E | H _b | H _d | H | (in) | | | | |
|---------|---------------------------------|---------------------------|------------|------|-----|------|------|------|
| | | | | a | b | c | d | e |
| B | — | — | — | - | ≥ 4 | - | - | - |
| A,B,C, | — | — | — | ≥ 12 | ≥ 4 | ≥ 4 | - | - |
| B,E | — | — | — | - | ≥ 4 | - | - | ≥ 40 |
| A,B,C,E | — | — | — | ≥ 12 | ≥ 6 | ≥ 6 | - | ≥ 40 |
| D | — | — | — | - | - | - | ≥ 40 | - |
| D,E | — | — | — | - | - | - | ≥ 40 | ≥ 40 |
| B,D | H _b < H _d | H _d > H | — | - | ≥ 4 | - | ≥ 40 | - |
| | H _b > H _d | H _d < H | — | - | ≥ 4 | - | ≥ 40 | - |
| B,D,E | H _b < H _d | H _b ≤ 1/2H | — | ≥ 10 | - | ≥ 80 | ≥ 40 | |
| | | 1/2H < H _b ≤ H | — | ≥ 10 | - | ≥ 80 | ≥ 40 | |
| | | H _b > H | Prohibited | | | | | |
| | H _b > H _d | H _d ≤ 1/2H | — | ≥ 4 | - | ≥ 80 | ≥ 40 | |
| | | 1/2H < H _d ≤ H | — | ≥ 8 | - | ≥ 80 | ≥ 40 | |
| | | H _d > H | Prohibited | | | | | |

Specifications are subject to change without notice. Manufacturer reserves the right to discontinue or modify specifications or designs without notice or without incurring obligations. All Rights reserved.