

SUBMITTAL DATA

CAS12HP230V1BC for Use with Multi GEN2 and Multi+ Ultra
12000 BTU/H Cassette Unit

| | | |
|--|--------------------------------------|------------------------------|
| Job Name <input type="text"/> | Location <input type="text"/> | Date <input type="text"/> |
| Purchaser <input type="text"/> | Engineer <input type="text"/> | |
| Submitted to <input type="text"/> | For <input type="text"/> | |
| Unit Designation <input type="text"/> | Schedule No. <input type="text"/> | |



YAP1FB2F



CAS12HP230V1BC



XE72

GENERAL FEATURES

- High Efficiency DC Inverter Technology
- Compact and Quiet Design
- 4 - Way Discharge Air
- Internal Condensate Drain Pump
- Wireless Remote with LCD Display Included
- XE72 Wi-Fi Wired Controller Included
- Low Ambient Cooling Based on Outdoor Unit Performance
- Low Ambient Heating Based on Outdoor Unit Performance
- (Indoor and Outdoor) Copper Tube / Aluminum Fin
- Blue Colored Fin - 500 Hrs Salt Spray Tested

SPECIFICATIONS, FEATURES & FUNCTION SUMMARY

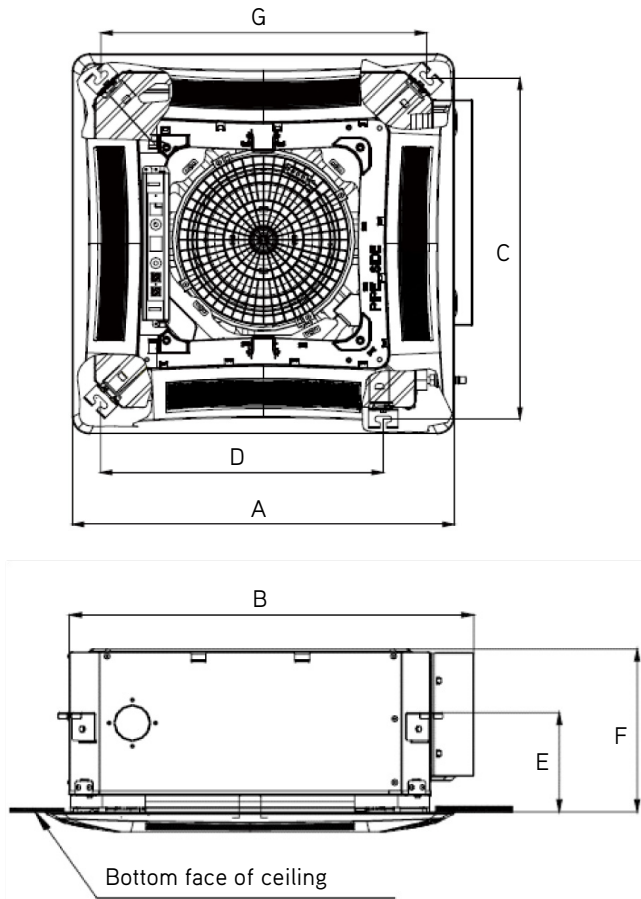
| SPECIFICATIONS | | CAS12HP230V1BC | | FEATURES & FUNCTIONS SUMMARY | | CAS12HP230V1BC | |
|--|---|-------------------------|-------|------------------------------------|-------------|----------------|--|
| System Type | | HEAT PUMP | | | | | |
| SYSTEM PERFORMANCE | | | | SYSTEM FEATURES | | | |
| Cooling | Nominal | Btu/h | 12000 | Wired Controller Interface | Yes | | |
| | Capacity @95°F | Btu/h | | WiFi Included | No | | |
| Heating | Nominal | Btu/h | 12000 | Indoor Fan Type | Centrifugal | | |
| | Capacity @5°F | Btu/h | | Multi Fan Speeds | 4 Speeds | | |
| | Capacity @17°F | Btu/h | | Indoor Unit Display | Yes | | |
| | Capacity @47°F | W | | Auxiliary Electrical Heater | No | | |
| SEER2 | | | | Ventilation (Outdoor Air) | No | | |
| EER2 | | | | REMOTE CONTROLLER FUNCTIONS | | | |
| HSPF2 | | | | Auto Mode | Yes | | |
| COP @5°F | | | | Auto Fan | Yes | | |
| COP @47°F | | | | Auto Swing (Horizontal Auto Swing) | No | | |
| Cooling Temperature Range | °F | | | Auto Swing (Vertical Auto Swing) | Yes | | |
| Heating Temperature Range | °F | | | Clock | Yes | | |
| Refrigerant Type | | | R410A | Dry Mode | Yes | | |
| INDOOR UNIT | | CAS12HP230V1BC | | Dry Anti-Mildew (X-Fan) Mode | Yes | | |
| Air flow (Min-Max) | CFM | 265 - 383 | | Energy Saving Mode | Yes | | |
| Sound Pressure Level (Min - Max) | dB(A) | 34 - 44 | | Dirty Filter Alert | No | | |
| Dehumidification | pt/hr | 3.0 | | Fan Speed Control (7 Speeds) | Yes | | |
| External Dimensions (W x H x D) | in | 23-1/2 x 9-1/2 x 23-1/2 | | I Feel Function | Yes | | |
| Package Dimension (W x H x D) | in | 30-1/2 x 11-1/4 x 29 | | Privacy Lock | Yes | | |
| Net Weight | lbs | 55.0 | | Quiet Mode | No | | |
| Gross Weight | lbs | 66.2 | | Room Temperature Display | No | | |
| CASSETTE GRILLE | | CASGRILLEBSM | | Sleep Mode | Yes | | |
| Grille Dimension (W x H x D) | in | 26-3/8 x 2 x 26-3/8 | | Normal Sleep Mode Options | Yes | | |
| Package Dimension (W x H x D) | in | 30 x 3-1/2 x 30 | | Timer Mode | Yes | | |
| Weight (Net/Gross) | lbs | 7.7/11.0 | | Turbo Mode | Yes | | |
| REFRIGERANT PIPING | | | | Display On/Off Control | Yes | | |
| Line Set Sized by Indoor Unit (Liquid - Gas) | in | 1/4 - 3/8 | | Freeze Guard Mode | Yes | | |
| ELECTRICAL | | | | Power Failure Mode | Yes | | |
| Power Supply | 208-230V / 1Ph / 60Hz (Powered by the Outdoor Unit) | | | | | | |

DIMENSIONS & CLEARANCES

INDOOR UNIT

Unit: inch

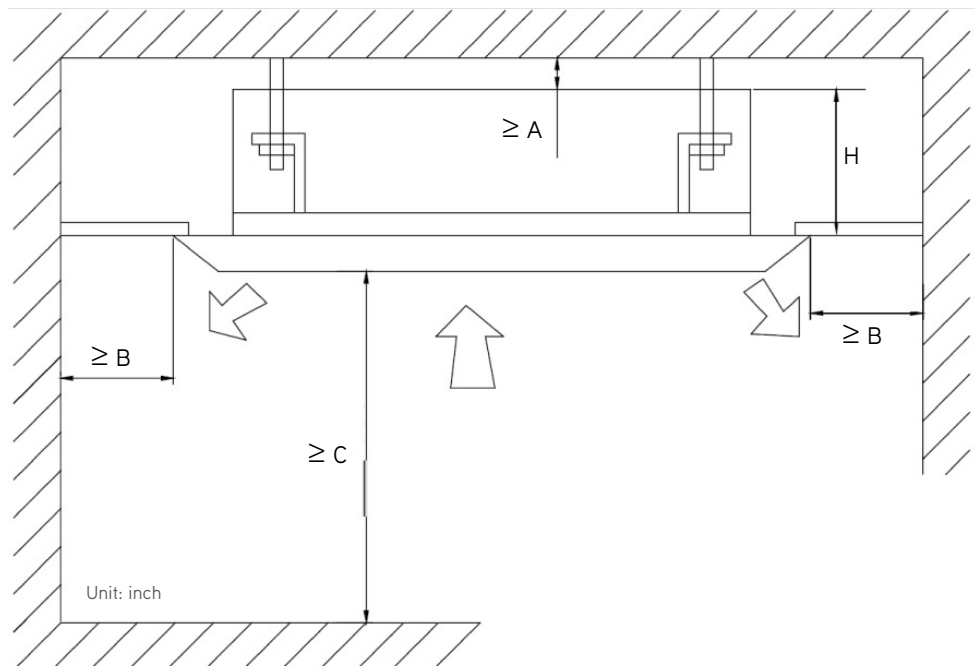
| CAS12HP230V1BC | |
|----------------|---------|
| DIMENSIONS | |
| A | 26-3/8 |
| B | 26-3/8 |
| C | 23-5/8 |
| D | 19-1/2 |
| E | 5-11/16 |
| F | 9-1/2 |
| G | 23-1/2 |



INDOOR UNIT

Minimum clearance

| CLEARANCES | |
|------------|-----|
| A | 7/8 |
| B | 60 |
| C | 98 |
| H | 10 |



Specifications are subject to change without notice. Manufacturer reserves the right to discontinue or modify specifications or designs without notice or without incurring obligations. All Rights reserved.

GREECOMFORT.COM/SYSTEM-DOCUMENTATION