



Cool Quiet Comfort & more

**Submittal Data: LIVV09HP230V1A** 9000 BTU/H (208/230V) Wall Mounted Heat Pump System

Job Name	Location	Date
Purchaser	Engineer	
Submitted To	For	<input type="checkbox"/> Reference <input type="checkbox"/> Approval <input type="checkbox"/> Construction
Unit Designation	Schedule No.	

- GENERAL FEATURES**
- High Efficiency DC Inverter Technology
  - Compact and Quiet Design
  - Wireless Remote with LCD Display
  - WiFi Included in some models
  - XE71 Wired Controller (Sold Separately)
  - Low Ambient Cool to 0° F - Heating down to -4°F
  - Blue Fin Condenser Coil
  - 5 year Limited Parts Warranty



**System Ratings**

<b>Cooling</b>			
Rated Capacity	Btu/hr		9100
Capacity Range	Btu/hr		2457 - 9600
Power Input (Max)	W		1100
SEER			17
EER			10.25
<b>Heating at 47° F</b>			
Rated Capacity	Btu/hr		9500 Btu/hr
Capacity Range	Btu/hr		2457 -11500
Power Input (Max)	W		1350
HSPF			9
COP			3.6
<b>Heating at 17° F</b>			
Rated Capacity			5600 BTU/H
<b>Operating Range</b>			
Cooling	(Max)		115°F (46 C)
	(Min)		0°F (-18 C)
Heating	(Max)		75°F (24 C)
	(Min)		-4°F (-20 C)

**Indoor Unit Data - LIVV09HP230V1AH(W)**

<b>Fan Motor</b>	Type	Cross-Flow	
	Output Power	W	20
	FLA	A	0.22
<b>Airflow</b>		CFM	294 / 271 / 235 /182
	Turbo / Hi / Med / Lo		
<b>Sound Pressure Level</b>		Clg dB(A)	39 / 37 / 33 / 26
	Turbo / Hi / Med / Lo	Htg dB(A)	41 / 38 / 34 / 29
<b>Dehumidification</b>		Pints/hr	1.69

**Outdoor Unit Data**

<b>Compresso</b>	Type	DC Inverter Driven Rotary	
	RLA	A	6.6
<b>Refrigerant Type</b>			R410A
<b>Fan Motor</b>	Output Power	W	30
	FLA	A	0.37
<b>Sound Pressure Level</b>			
	Cooling/Heating	dB(A)	50

**Refrigerant Piping Data**

Gas Pipe Size (OD) Flared	in	3/8
Liquid Pipe Size (OD) Flared	in	1/4
Connection Method		Flared
Factory Charge		24 oz
Additional Charge		0.2 oz
Pre-Charge Length		25 ft
MAX Refrigerant Pipe Length		49 ft
MIN Refrigerant Pipe Length		10 ft
MAX Refrigerant Pipe Elevation		33 ft

**Electrical Data**

<b>Power Supply</b>		
Normal Operational Voltage	208/230 V, 1 Ph, 60 Hz	
Voltage Range	V	187 - 253
MCA	A	10
MOCP/Breaker Size	A	15
Main Power Wire Size		14-2 AWG



SYSTEM FEATURES	
Inverter Type	G10
Ultra Low Frequency Torque Control	Yes
Power Factor Correction	Yes
Compressor Type	High Eff. Rotary
Refrigerant Type	R410A
Basepan With Electric Heater	YES
Compressor With Electric Heater	YES
Outdoor Fin Coating (Color: Blue)	Acrylic-Resin/Anti-Corrosive
Intelligent Defrosting	YES
Force Defrosting	YES
Intelligent Preheating	YES
Low Voltage Startup	YES
Memory/Power Failure Recovery	YES
Self Diagnosis	YES
Wired Controller Interface (XE71)	YES
WiFi Included (in some models)	YES
Indoor Fan Type	Crossflow
Multi Fan Speeds	4 Speeds
Indoor Unit Display	YES
Advance Filter	Optional
Auxiliary Electrical Heater	NO
Ventilation (Outdoor Air)	NO

REMOTE CONTROLLER FUNCTIONS	
Auto Mode	YES
Auto Fan	YES
Manual Horizontal Swing	YES
Auto Swing (Vertical Auto Swing)	YES
Clock on Remote Controller	YES
Dry Mode	YES
Dry Anti-Mildew (X-Fan) Mode	YES
Energy Saving Mode	YES
Dirty Filter Alert	NO
I Feel Function	YES
Lock on Remote Controller	YES
Quiet Mode	NO
Room Temperature Display	YES
Sleep Mode	YES
Timer Mode	YES
Turbo Mode	YES
Display On/Off Control	YES
Freeze Guard Mode (46 °F)	YES
Display On/Off Control	YES

**EXTENDED RATINGS**

**LIVV09HP230V1A**

**COOLING PERFORMANCE (BtuH)\***

Outdoor Ambient Temperature (DB)	Indoor Entering Air Temperatures					
	68°F DB		73°F DB		80°F DB	
	57°FFWB		61°FFWB		67°FFWB	
	TC	SHC	TC	SHC	TC	SHC
0°F	3094	2243	3822	2771	4550	3299
5°F	3549	2591	4277	3122	5005	3654
17°F	4004	2943	4732	3478	5460	4013
23°F	4186	3098	4914	3636	5642	4175
32°F	4368	3254	5096	3797	5824	4339
41°F	4914	3686	5642	4232	6370	4778
50°F	5460	4122	6188	4672	6916	5222
57°F	5824	4426	6552	4980	7280	5533
67°F	6097	4664	6825	5221	7553	5778
75°F	7644	5886	8372	6446	9100	7007
86°F	8463	6559	9191	7123	9919	7687
95°F	7644	5962	8372	6530	9100	7098
104°F	6734	5286	7462	5858	8190	6429
113°F	6188	4889	6916	5464	7644	6039
122°F	5278	4196	6006	4775	6734	5354

**HEATING PERFORMANCE (BtuH)\***

Outdoor Ambient Temperature (DB)	Indoor Entering Air Temperatures								
	68°F DB			70°F DB			80°F DB		
	57°FFWB			60°FFWB			67°FFWB		
	TC	Power Input (KW)	COP	TC	Power Input (KW)	COP	TC	Power Input (KW)	COP
-5°F	4370	620	2.1	4560	632	2.1	4750	645	2.2
0°F	5035	632	2.3	5225	645	2.4	5415	658	2.4
5°F	5320	645	2.4	5510	658	2.5	5700	672	2.5
10°F	5510	658	2.5	5700	672	2.5	5890	685	2.5
17°F	6143	672	2.7	6333	686	2.7	6523	699	2.7
19°F	6460	686	2.8	6650	700	2.8	6840	714	2.8
24°F	7410	700	3.1	7600	714	3.1	7790	728	3.1
32°F	8170	714	3.4	8360	728	3.4	8550	743	3.4
41°F	8835	728	3.6	9025	743	3.6	9215	758	3.6
43°F	9120	743	3.6	9310	759	3.6	9500	774	3.6
47°F	9310	759	3.6	9500	774	3.6	9690	789	3.6
53°F	9405	781	3.5	9595	797	3.5	9785	813	3.5
59°F	9500	805	3.5	9690	821	3.5	9880	838	3.5
64°F	9785	829	3.5	9975	846	3.5	10165	863	3.5
70°F	10070	854	3.5	10260	871	3.5	10450	889	3.5
75°F	10355	879	3.5	10545	897	3.4	10735	915	3.4
78°F	10735	906	3.5	10925	924	3.5	11115	943	3.5

**\* Maximum Output Values - Not at AHRI Test Conditions**

TC- Total Capacity ( BtuH)

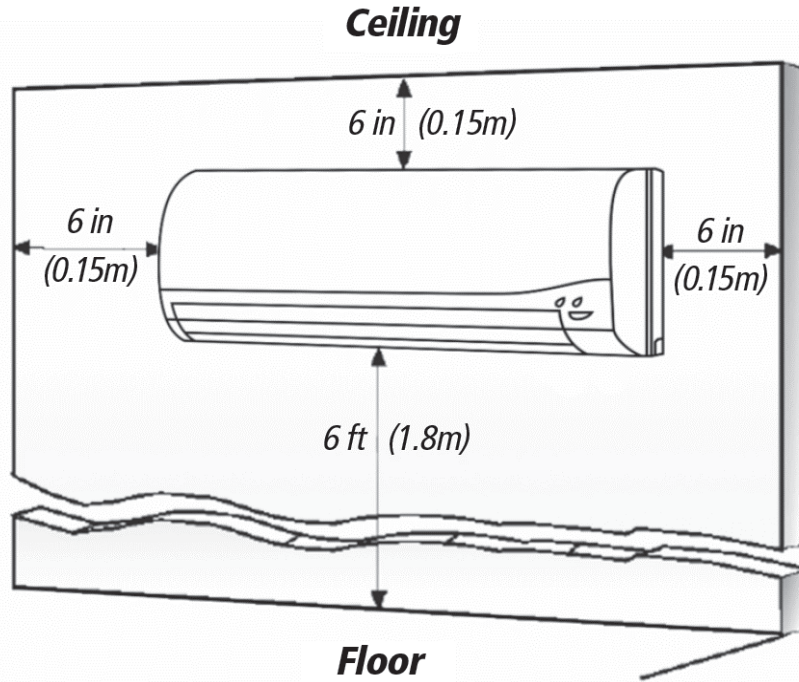
COP- Coefficient of Performance

**MINIMUM SPACING REQUIREMENTS**

Units: inch (m)

LIVV09HP230V1AH & LIVV09HP230V1AHW

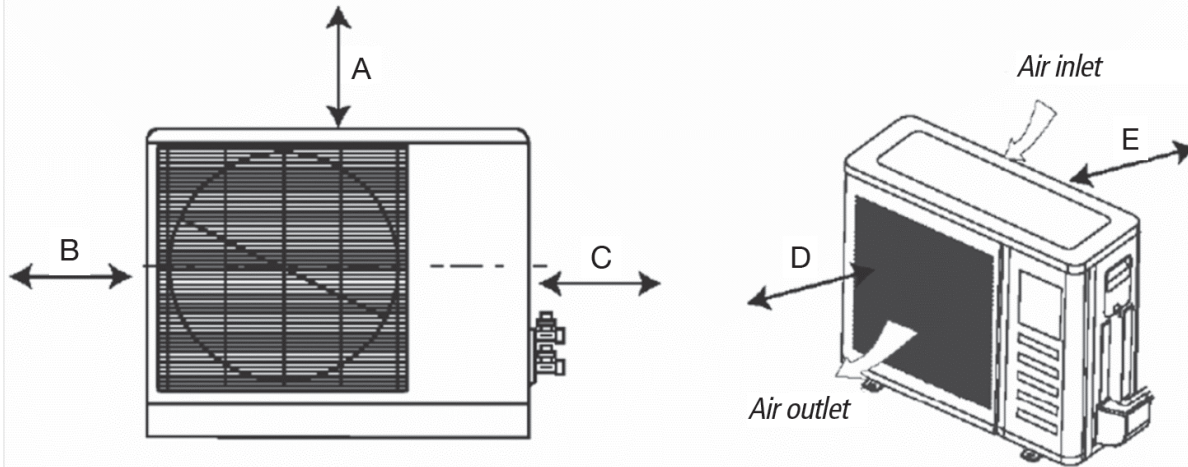
**INDOOR**



**MINIMUM SPACING REQUIREMENTS**

**OUTDOOR**

**Minimum Outdoor Clearances**



	Minimum Distance
A	20 (500)
B	12 (305)
C	20 (500)
D	78 (1980)
E	12 (305)

Units: inch (mm)

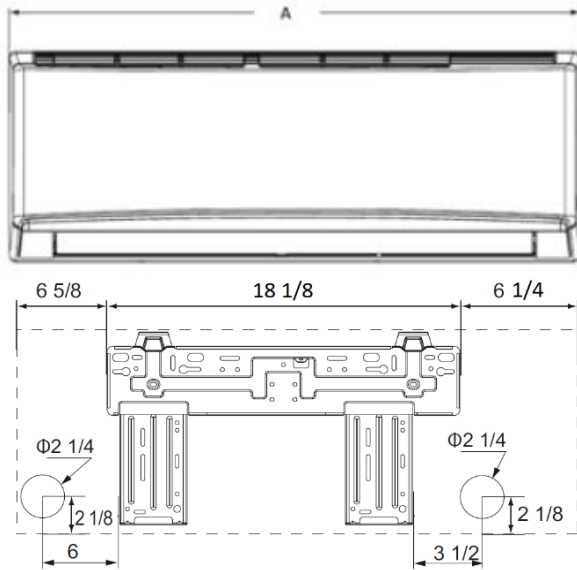
## DIMENSIONAL SPECIFICATIONS

**LIVV09HP230V1A**

### INDOOR UNIT DIMENSIONS

Units: inch

Model No: LIVV09HP230V1AH & LIVV09HP230V1AHW



Dimensions	
A	31 1/8
B	10 3/4
C	7 7/8

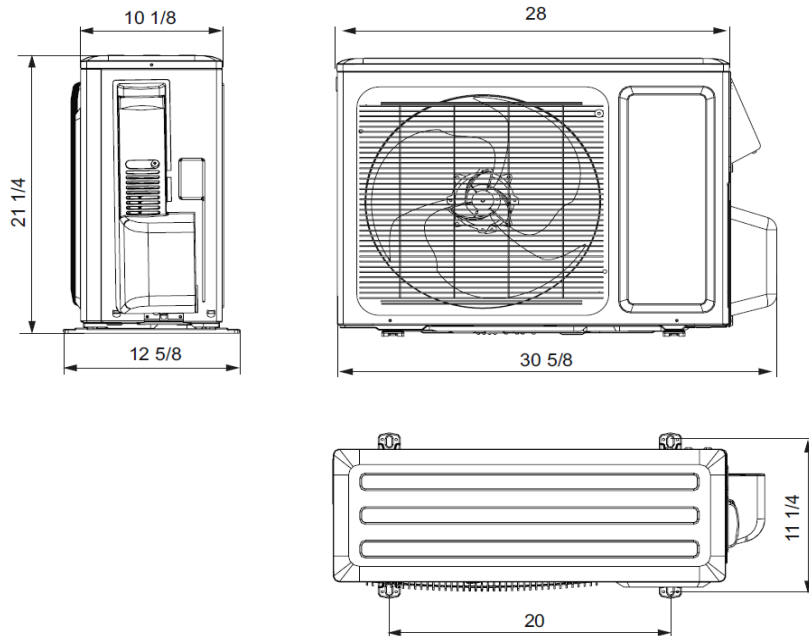
Weight (Net/Gross) 19.8/24.3 lbs

Liquid Line Valve	1/4-in OD Flared
Gas Line Valve	3/8-in OD Flared
Drain Connector	5/8-in OD

### OUTDOOR UNIT DIMENSIONS

Units: inch

Model No: LIVV09HP230V1AO



Weight (Net/Gross) 54.8 / 63.9 lbs

Liquid Line Valve	1/4-in OD Flared
Gas Line Valve	3/8-in OD Flared

**Notes:**

1. Recommended Interconnecting Cable Type 14 AWG 4 Stranded Copper Conductors THHN 600V Wire
2. Power wiring cable size must comply with applicable national and local codes.
3. Test conditions are based on AHRI 210/240.

Specifications are subject to change without notice. Manufacturer reserves the right to discontinue or modify specifications or designs without notice or without incurring obligations. All rights reserved.