



SUBMITTAL DATA: 3VIR24HP230V1A 24000 BTU/H Wall Mounted Heat Pump System		
Job Name	Location	Date
Purchaser	Engineer	
Submitted To	For	
Unit Designation	Schedule No.	

YAP1F7F	3VIR24HP230V1AH	3VIR24HP230V1AO
----------------	------------------------	------------------------



GENERAL FEATURES

- AHRI Certificate: [206839098](#)**
- High Efficiency DC Inverter Technology**
- Compact and Quiet Design**
- Auto-Clean Function on Indoor Unit**
- Wireless Remote with LCD Display**
- Wired Controller Options**
- Wi-Fi Included (Factory Installed)**
- Low Ambient Cooling down to -20°F (Range -20°F to 122°F)**
- Low Ambient Heating down to -22°F (Range -22°F to 86°F)**
- Coil (Indoor and Outdoor) Copper Tube / Aluminum Fin***
- * (Blue Fin) 500 Hrs Salt Spray Tested**

5 Year Limited Compressor & Parts Warranty (Residential Only)

SPECIFICATIONS

3VIR24HP230V1AO /3VIR24HP230V1AH

System Type		HEAT PUMP	
SYSTEM PERFORMANCE			
Cooling	Rated Capacity @ 95°F	Btu/h	22000
	Min-Max Capacity	Btu/h	3400 - 28500
	Rated Power Input (Min - Max)	W	100-1030
Heating	Rated Capacity @ 47°F	Btu/h	24000
	Rated Capacity @ 17°F	Btu/h	14900
	Min-Max Capacity	Btu/h	4300 - 33600
	Rated Power Input (Min - Max)	W	140-1650
SEER / EER		23 / 13	
HSPF / COP		11 / 3.81	
Energy Star®		YES	
Cooling Temperature Range		°F	-20 - 122
Heating Temperature Range		°F	-22 - 86
INDOOR UNIT		3VIR24HP230V1AH	
Fan Motor Output Power		W	60
Fan Motor FLA		amps	0.4
Air Flow (Min - Max)		CFM	400 - 824
Sound Pressure Level (Cooling / Heating)		dB(A)	35 - 53
Dehumidification		pt/hr	5.1
Condensate Drain Size (OD)		in	5 / 8
Unit Dimension (WxHxD)		in	42 5/8 X 13 1/8 X 9 3/4
Package Dimension (WxHxD)		in	44 7/16 X 16 X 12 3/4
Weight (Net / Gross)		lbs	35.3 / 42
OUTDOOR UNIT		3VIR24HP230V1AO	
Compressor Type		G-10 / 1-Stage Inverter	
Compressor RLA		amps	10.68
Fan Motor Output Power		W	90
Fan Motor RLA		amps	0.7
Sound Pressure Level (Cooling / Heating)		dB(A)	59
Unit Dimension (WxHxD)		in	39 1/2 X 31 1/8 X 16 7/8
Package Dimension (WxHxD)		in	42 5/8 X 33 1/8 X 19 1/8
Weight (Net / Gross)		lbs	124.6 / 135.6
Refrigerant Charge - R410A		oz	63.5
Coil Type		Aluminum Fin / Copper Tube	
REFRIGERANT PIPING			
Line Set Size (Liquid - Gas)		in	1/4 - 5/8
Pre-Charge Length		ft	25
Pipe Length (Min - Max)		ft	10 / 98
Max. Pipe Elevation		ft	66
ELECTRICAL			
Power Supply (Voltage Operating Range)		208-230V / 1Ph / 60Hz	
Rated Current (Cooling / Heating)		amps	7.5 / 14.5
MCA / MOCP		amps	16 / 25
Main Power Wire Size		AWG	Size Per Local Code
Interconnecting Wire Size		AWG	14 / 4
LIMITED WARRANTY			

EXTENDED RATINGS

3VIR24HP230V1AO /3VIR24HP230V1AH

COOLING PERFORMANCE						HEATING PERFORMANCE				
Outdoor Ambient Temperature (DB)		Return Air Temperature				Outdoor Ambient Temperature (DB)		Return Air Temperature		
		80°F (DB)						70°F (DB)		
		TC (Btu/h)	SHR	EER	Power Input (W)			TC (Btu/h)	COP	Power Input (W)
MAX OUTPUT	-20°F	9985	8089	1.53	1913	MAX OUTPUT	-22°F	12335	1.54	2354
	-15°F	10532	8896	1.56	1979		-20°F	13204	1.61	2402
	-10°F	11256	9102	1.59	2075		-15°F	14740	1.76	2451
	-5°F	12365	9853	1.61	2251		-10°F	16889	1.98	2501
	0°F	13815	10015	1.63	2480		-5°F	17811	2.05	2552
	5°F	16578	12101	1.87	2591		0°F	18425	2.07	2604
	10°F	17562	12965	1.91	2695		5°F	20472	2.26	2658
	15°F	18113	13313	1.94	2628		10°F	21496	2.32	2712
	20°F	18562	13564	1.96	2776		15°F	24566	2.6	2767
	25°F	18727	13858	1.98	2776		17°F	27023	2.8	2824
	30°F	19341	14409	1.96	2887		20°F	29173	2.97	2881
	35°F	20561	15125	2.01	2998		25°F	30094	3	2940
	40°F	21183	15887	2.10	2961		30°F	30708	3	3000
	45°F	22365	16526	2.12	3092		35°F	31015	2.94	3090
	50°F	23025	17383	2.14	3146		40°F	31322	2.88	3183
	55°F	24253	18432	2.18	3257		45°F	32243	2.88	3278
	60°F	24985	18965	2.18	3359		47°F	33165	2.88	3377
	65°F	25174	19258	2.19	3368		50°F	33345	2.88	3393
	70°F	27562	21576	2.26	3574		55°F	33496	2.82	3478
	75°F	29165	22457	2.36	3627		60°F	33827	2.77	3582
	80°F	30151	23456	2.39	3697		65°F	34822	2.77	3690
	85°F	30756	24268	2.41	3813		70°F	35817	2.76	3800
	90°F	30956	23986	2.42	3749		75°F	36812	2.76	3914
	95°F	30700	23946	2.43	3702		80°F	38139	2.77	4032
100°F	28523	22521	2.45	3412	86°F	38624	2.77	4087		
105°F	27323	21448	2.46	3257						
110°F	26853	20532	2.48	3173						
115°F	25481	20130	2.49	2998						
120°F	24125	18523	2.5	2828						
122°F	22411	17816	2.52	2610						

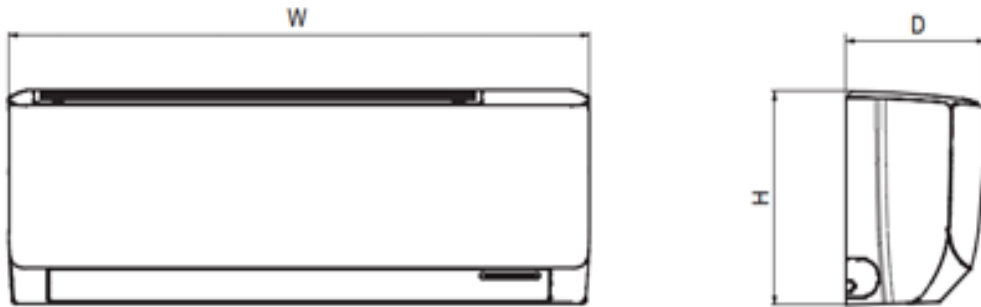
LEGEND: W - Watts
 DB - Dry Bulb
 TC - Total Capacity
 SHR - Sensible Heat Ratio
 COP - Coefficient of Performance

FEATURES & FUNCTIONS SUMMARY

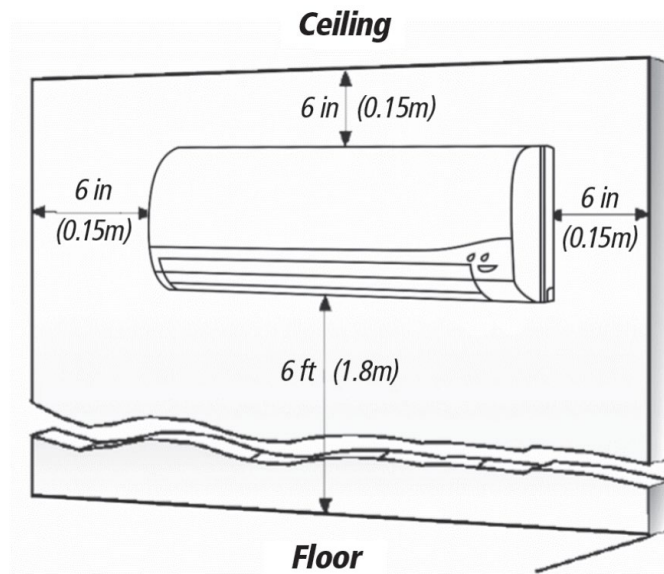
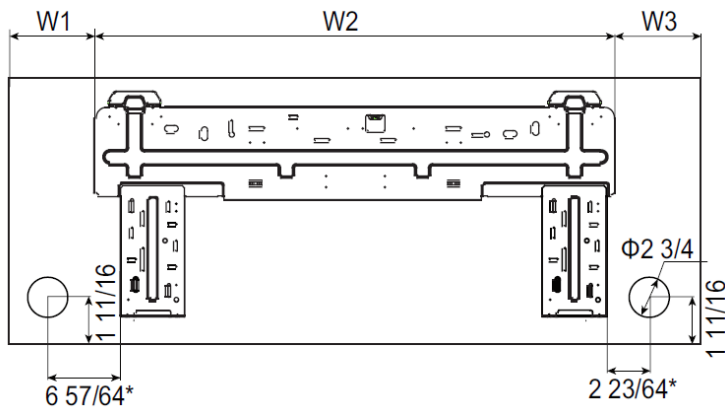
3VIR24HP230V1AO /3VIR24HP230V1AH

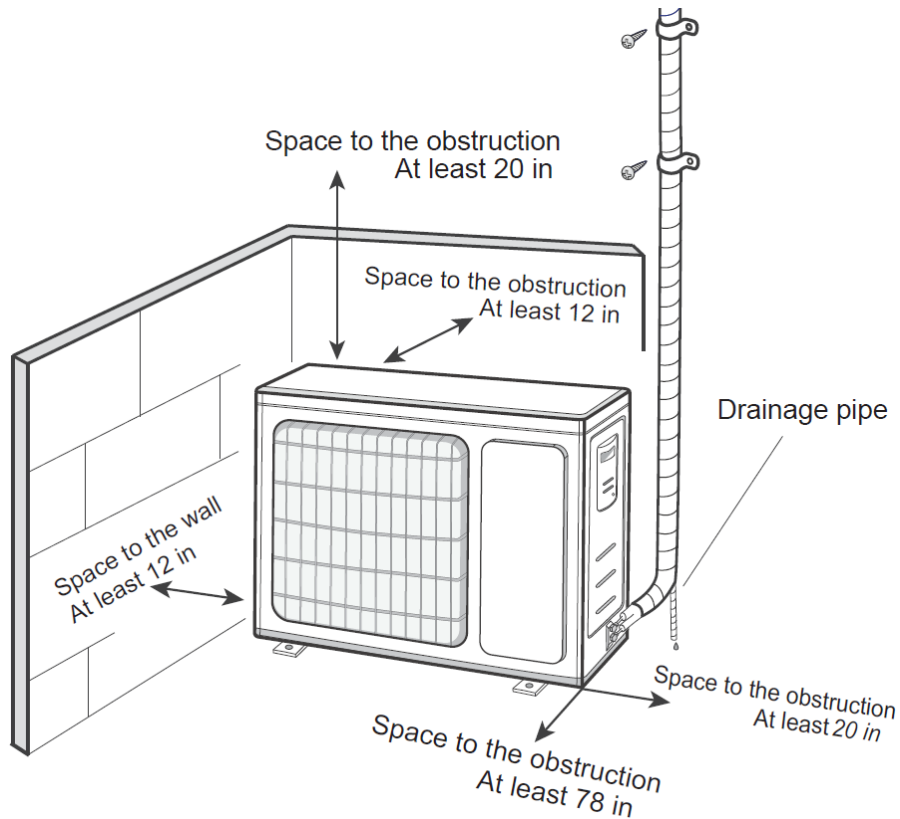
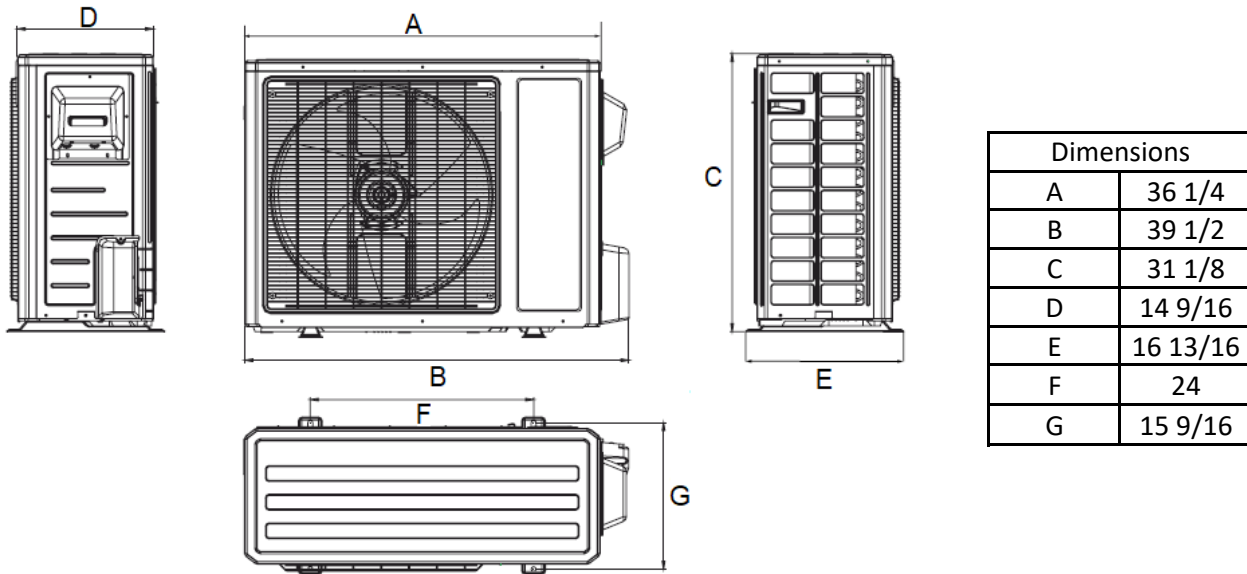
SYSTEM FEATURES	
Inverter Type	G10
Ultra Low Frequency Torque Control	Yes
Power Factor Correction	Yes
Compressor Type - Inverter	High Efficiency Rotary
Basepan With Electric Heater	Yes
Indoor & Outdoor Fin Coating (Blue Fin)	Yes
Intelligent Defrosting	Yes
Intelligent Preheating	Yes
Low Voltage Startup	Yes
Memory/Power Failure Recovery	Yes
Self Diagnosis	Yes
Wired Controller Interface (XE71 or XK76 optional)	Yes
WiFi Included	Yes
NEW! Easy Service Access	Yes
Indoor Fan Type	Crossflow
Multi Fan Speeds	7 Speeds
Indoor Unit Display	Yes
Auxiliary Electrical Heater	No
Ventilation (Outdoor Air)	No

REMOTE CONTROLLER FUNCTIONS	
NEW! Auto Clean	Yes
Auto Mode	Yes
Auto Fan	Yes
Auto Swing (Horizontal Auto Swing)	Yes
Auto Swing - 180° (Vertical Auto Swing)	Yes
Clock	Yes
Dry Mode	Yes
Dry Anti-Mildew (X-Fan) Mode	Yes
Energy Saving Mode	Yes
Dirty Filter Alert	No
Fan Speed Control (7 Speeds)	Yes
I Feel Function	Yes
Privacy Lock	Yes
Quiet Mode	Yes
Room Temperature Display	No
Sleep Mode	Yes
3 Sleep Mode Options	Yes
Timer Mode	Yes
Turbo Mode	Yes
Display On/Off Control	Yes
Freeze Guard Mode	Yes
Power Failure Mode	Yes



Dimensions	
W	32 1/2
D	7 3/4
H	11 1/2
W1	7 1/4
W2	27 7/8
W3	7 1/4





Specifications are subject to change without notice. Manufacturer reserves the right to discontinue or modify specifications or designs without notice or without incurring obligations. All Rights reserved.