





SUBMITTAL DATA: FLEXX24HP230V1BH / FLEXX36AC230V1AO		24000 BTU/H Unitary Cooling Only Split System	
Job Name	Location	Date	
Purchaser	Engineer		
Submitted To	For		
Unit Designation	Schedule No.		

FLEXX24HP230V1BH	FLEXX36AC230V1AO
	
GENERAL FEATURES	

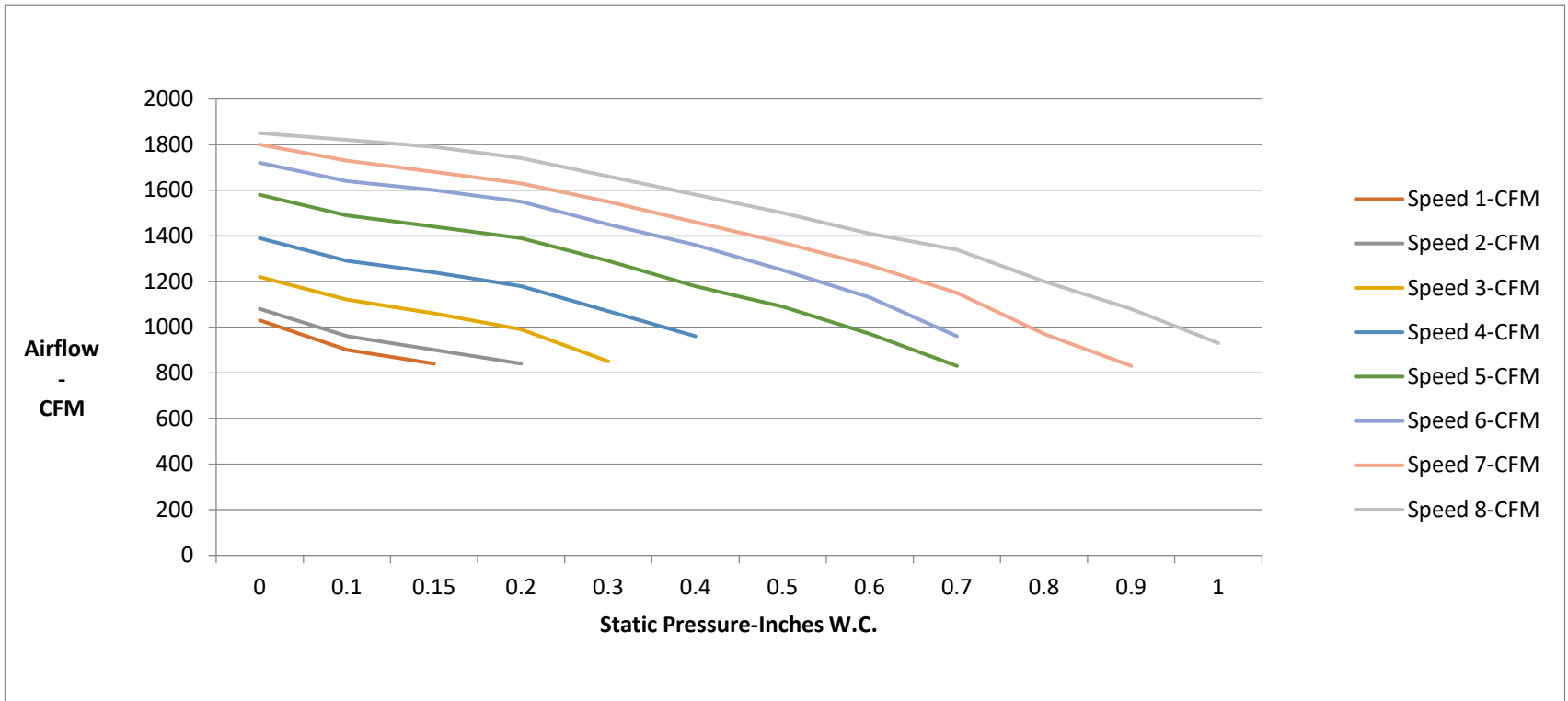
High Efficiency DC Inverter Technology
Compact and Quiet 55 dB(A) Side Discharge Outdoor Unit
Zero Lot Line Design
Match with Gree or Competitive Indoor Unit
Designed for New Construction or Replacement Market
24VAC Thermostat Compatible
8 Speed Fan Motor

Cooling Range 40°F to 118°F

Acrylic Resin/Anti-Corrosion Fin Coating (Blue - 500 Hr Salt Spray Rating)

5 Year Limited Compressor & Parts Warranty (Residential Only)

SPECIFICATIONS		FLEXX24HP230V1BH / FLEXX36AC230V1AO	
System Type		AIR CONDITIONER	
SYSTEM PERFORMANCE			
Cooling	Rated Capacity @ 95°F	Btu/h	24000
	Min-Max Capacity	Btu/h	12000 - 24000
SEER / EER		20 / 12.5	
Energy Star®		NO	
Cooling Temperature Range		°F	40 - 118
INDOOR UNIT		FLEXX24HP230V1BH	
Fan Motor Output Power		W	373
Fan Motor FLA		amps	3
Air Flow		CFM	960
Static Pressure (Rated / Maximum)		In w.c	0.1 / 1.0
Sound Pressure Level		dB(A)	45
Dehumidification		pt/hr	6.03
Condensate Drain Size (OD)		in	3 / 4
Unit Dimension (WxHxD)		in	21 1/4 x 48 1/4 x 21 1/4
Package Dimension (WxHxD)		in	26 x 50 7/16 x 23 3/4
Weight (Net / Gross)		lbs	156 / 169
Electric Heater (Optional)		kW	5, 8, 10
OUTDOOR UNIT		FLEXX36AC230V1AO	
Compressor Type		Inverter Rotary	
Compressor RLA		amps	16
Fan Motor Output Power		W	149
Fan Motor		amps	1.5
Sound Pressure Level		dB(A)	55
Unit Dimension (WxHxD)		in	32 1/4 x 37 x 18 1/8
Package Dimension (WxHxD)		in	38 3/8 x 42 11/16 x 22 9/16
Weight (Net / Gross)		lbs	217 / 240
Refrigerant Charge - R410A		oz	118.2
Coil Type (Blue Fin)		Copper Tube / Aluminum Fin	
REFRIGERANT PIPING			
Line Set Size (Liquid - Gas)		in	3/8 - 3/4
Pre-Charge Length		ft	31
Additional Charge		oz/ft	0.32
Pipe Length (Min - Max)		ft	10 - 100
Max. Pipe Elevation		ft	50
ELECTRICAL			
Power Supply (Voltage Operating Range)		208/230V / 1Ph / 60 Hz	
Outdoor Unit	Rated Current	amps	21
	MCA / MOCP	amps	24 / 35
Indoor Unit	Rated Current	amps	3
	MCA / MOCP	amps	4 / 15
Main Power Wire Size		AWG	Size Per Local Code
LIMITED WARRANTY		5 Years Parts and Compressor - Residential	

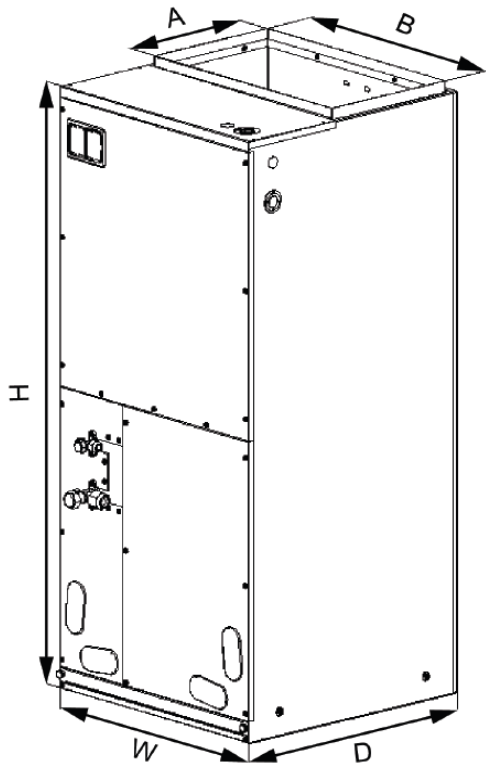


Static Pressure-Inches W.C.	0	0.1	0.15	0.2	0.3	0.4	0.5	0.6	0.7	0.8	0.9	1.0
Speed 1-CFM	1030	900	840									
Speed 2-CFM	1080	960	900	840								
Speed 3-CFM	1220	1120	1060	990	850							
Speed 4-CFM	1390	1290	1240	1180	1070	960						
Speed 5-CFM	1580	1490	1440	1390	1290	1180	1090	970	830			
Speed 6-CFM	1720	1640	1600	1550	1450	1360	1250	1130	960			
Speed 7-CFM	1800	1730	1680	1630	1550	1460	1370	1270	1150	970	830	
Speed 8-CFM	1850	1820	1790	1740	1660	1580	1500	1410	1340	1200	1080	930

COOLING PERFORMANCE					
Outdoor Ambient Temperature (DB)		Return Air Temperature			
		80°F (DB)			
		TC (Btu/h)	SHR	EER	Power Input (W)
MAX OUTPUT	40°F	24000	79.5%	19.2	1250
	45°F	24000	79.2%	18.5	1300
	50°F	24000	78.5%	17.8	1350
	55°F	24000	78.8%	17.5	1375
	60°F	24000	79.0%	17.1	1400
	65°F	24000	80.0%	16.8	1430
	70°F	24000	79.5%	16.3	1470
	75°F	24000	79.8%	15.9	1510
	80°F	25000	78.4%	14.9	1680
	85°F	25000	79.5%	13.5	1850
	90°F	25000	79.7%	12.6	1980
	95°F	25000	80.0%	11.7	2130
	100°F	24000	78.8%	11.0	2190
	105°F	24000	79.0%	10.3	2320
	110°F	24000	79.0%	9.7	2480
115°F	24000	81.0%	9.0	2680	
118°F	23000	76.6%	8.3	2780	

LEGEND: W - Watts
 DB - Dry Bulb
 TC - Total Capacity
 SHR - Sensible Heat Ratio

SYSTEM FEATURES	
Inverter Type	G10
Ultra Low Frequency Torque Control	Yes
Power Factor Correction	Yes
Compressor Type	Rotary
Basepan With Electric Heater	No
Indoor & Outdoor Fin Coating	Yes
Low Voltage Startup	Yes
Memory/Power Failure Recovery	Yes
Self Diagnosis	Yes
Smart Thermostat / 24V Thermostat Compatible	Yes
Wired Controller Interface	No
WiFi Included	No
Indoor Fan Type	Centrifugal
Multi Fan Speeds	8
Rated External Static Pressure	0.1
External Static Pressure (Min - Max)	0 - 1.0
Indoor Unit Display	No
Auxiliary Electrical Heater	Optional
Ventilation (Outdoor Air)	No



Dimensions	
A	11 5/8
B	20
H	48 1/4
W	21 1/4
D	21 1/4

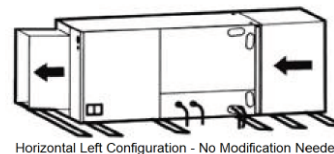
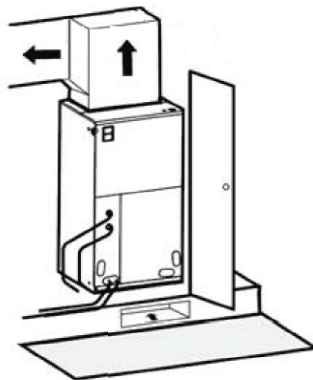
Filter Size	
Supplied*	19 1/4 x 20 1/4 x 1/2
Suggested	19 1/4 x 20 1/4 x 1

*Supplied filter is metal mesh

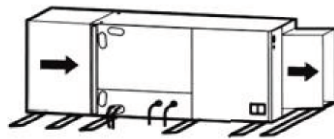
Clearances	
Front	> 24

Allow a minimum of 24" in front of the unit for service clearance. When installing in an area directly over a finished ceiling (such as an attic), an emergency drain pan is required directly under the unit. **See local and state codes for requirements.** When installing this unit in an area that may become wet, elevate the unit with a sturdy, non-porous material. In installations that may lead to physical damage (i.e. a garage) it is advised to install a protective barrier to prevent such damage. This air handler is designed for a complete supply and return ductwork system.

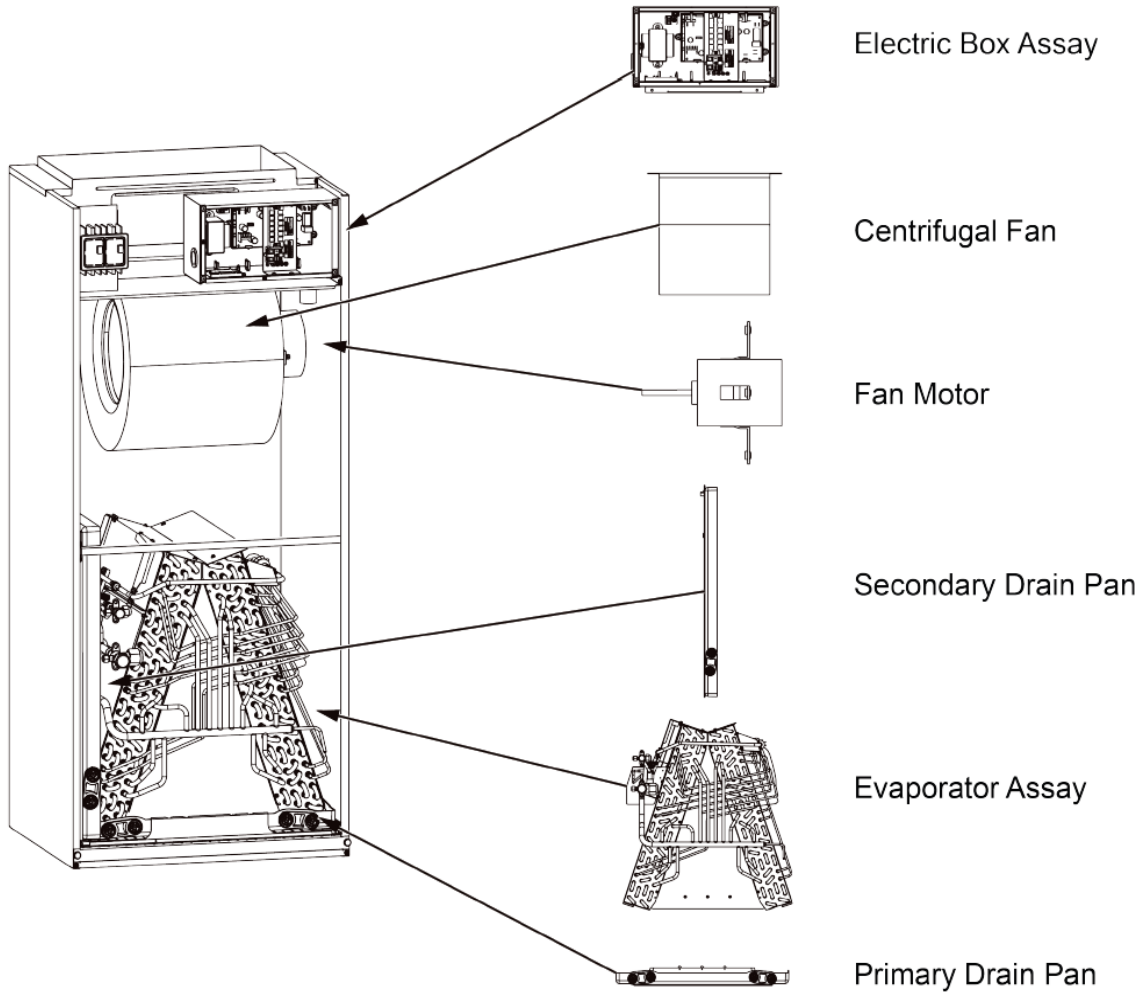
Multi-Position Capabilities



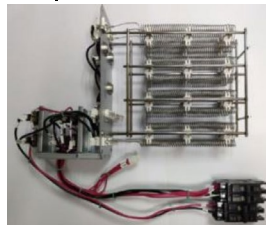
Horizontal Left Configuration - No Modification Needed



Horizontal Right Configuration - Must Relocate Drain Pan

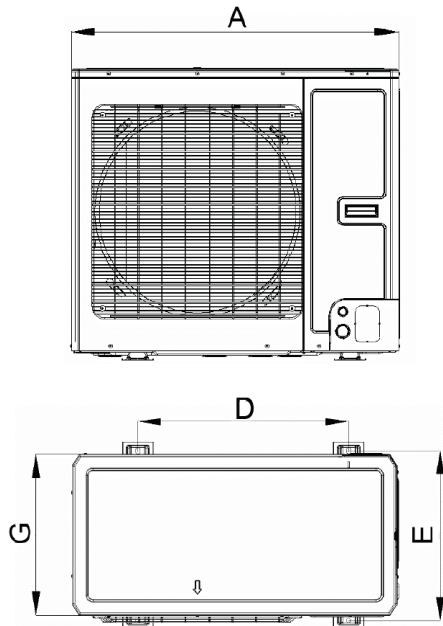


Model	Heat Kit Model	Electric Heat (kW)		Min. Circuit		Max.Fuse or Breaker	
		240V	208V	240V	208V	240V	208V
FLEXX24HP230V1BH	FLEXXHTR5KW	5	3.76	26	22.6	30	25
	FLEXXHTR8KW	8	6	41.7	36	45	40
	21-4227-00	5	3.76	26	22.6	30	25
	21-4216-00	8	6	41.7	36	45	40

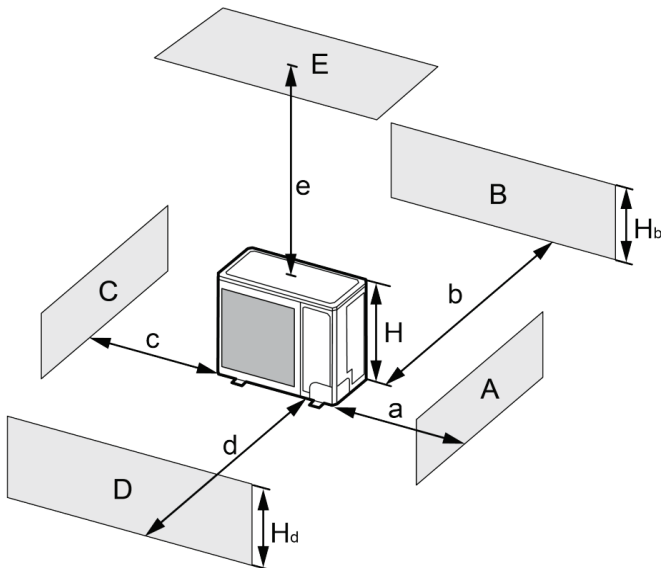


DIMENSIONS & CLEARANCES

FLEXX36AC230V1AO



Dimensions	
A	37
B	20 1/8
C	32 1/4
D	24
E	19 1/8
G	18 1/8



A~E	H _b	H _d	H	(in)				
				a	b	c	d	e
B	—	—	—	-	≥ 4	-	-	-
A,B,C,	—	—	—	≥ 12	≥ 4	≥ 4	-	-
B,E	—	—	—	-	≥ 4	-	-	≥ 40
A,B,C,E	—	—	—	≥ 12	≥ 6	≥ 6	-	≥ 40
D	—	—	—	-	-	-	≥ 40	-
D,E	—	—	—	-	-	-	≥ 40	≥ 40
B,D	H _b < H _d	H _d > H	—	-	≥ 4	-	≥ 40	-
	H _b > H _d	H _d < H	—	-	≥ 4	-	≥ 40	-
B,D,E	H _b < H _d	H _b ≤ 1/2H	—	≥ 10	-	≥ 80	≥ 40	
		1/2H < H _b ≤ H	—	≥ 10	-	≥ 80	≥ 40	
		H _b > H	Prohibited					
	H _b > H _d	H _d ≤ 1/2H	—	≥ 4	-	≥ 80	≥ 40	
		1/2H < H _d ≤ H	—	≥ 8	-	≥ 80	≥ 40	
		H _d > H	Prohibited					

Specifications are subject to change without notice. Manufacturer reserves the right to discontinue or modify specifications or designs without notice or without incurring obligations. All Rights reserved.