

Submittal Data: GWC18KG-D3DNB1C 18,000 BTU/H Wall Mounted Air Conditioning System

Job Name Location Date

Purchaser Engineer

Submitted To For Reference Approval Construction

Unit Designation Schedule No.

GENERAL FEATURES

- Compact and Quiet Design
- High Efficiency - 16 SEER
- DC Inverter Technology
- Wireless Remote with LCD Display
- Low Ambient Cooling
- Comfortable Sleep Mode
- Intelligent Defrost
- 5 year Limited Parts Warranty



System Ratings

Indoor Unit Data

Cooling

| | |
|-------------------|--------------------|
| Rated Capacity | 18,000 BTU/H |
| Capacity Range | 4,500-21,000 BTU/H |
| Power Input (Max) | 2,600 W |
| SEER | 16 |
| EER | 11.3 |

| | | |
|------------------|--------------|-------|
| Fan Motor | Output Power | 20 W |
| | FLA | 0.3 A |

Heating at 47° F

| | |
|-------------------|------|
| Rated Capacity | ---- |
| Capacity Range | ---- |
| Power Input (Max) | ---- |
| HSPF | ---- |
| COP | ---- |

Airflow

| | |
|---------------------|-------------|
| Cooling Wet (Lo/Hi) | 271/471 CFM |
| Heating Dry (Lo/Hi) | ---- |

Heating at 17° F

| | |
|-------------------|------|
| Rated Capacity | ---- |
| Capacity (Max) | ---- |
| Power Input (Max) | ---- |
| COP | ---- |

Sound Pressure Level

| | |
|-----------------|-------------|
| Cooling (Lo/Hi) | 34/48 db(A) |
| Heating (Lo/Hi) | ---- |

Operating Range

| | | |
|---------|-------|--------------|
| Cooling | (Max) | 109°F (43 C) |
| | (Min) | 5°F (-15 C) |
| Heating | (Max) | ---- |
| | (Min) | ---- |

Dimensions & Weights

| | |
|-------------------------|----------------------|
| Unit Dimensions (LxHxD) | 34.0 x 12.0 x 8.5-in |
| Weight (Net/Shipping) | 27/35 LBS |

Power Supply

| | |
|---------------------------------|---------------------------|
| Normal Operational Voltage | 208/230 V, 1 Phase, 60 Hz |
| Voltage Range | 187 - 253 V |
| Main Power Wire Size | 10-2 AWG |
| Interconnecting Cable Wire Size | 14-4 AWG |
| MCA | 15.0 A |
| MOCP/Breaker Size | 25 A |

Outdoor Unit Data

| | |
|-------------------------|---------------------------|
| Compressor | DC Inverter Driven Rotary |
| Refrigerant Type | R410A |

| | | |
|------------------|--------------|-------|
| Fan Motor | Output Power | 60 W |
| | FLA | 0.6 A |

Sound Pressure

| | |
|---------|----------|
| Cooling | 56 db(A) |
| Heating | ---- |

Dimensions & Weights

| | |
|-------------------------|-----------------------|
| Unit Dimensions (LxHxD) | 37.6 x 27.6 x 15.6-in |
| Weight (Net/Shipping) | 104/115 LBS |

Refrigerant Piping Data

| | |
|--|--------|
| Gas Pipe Size (OD) | 1/2-in |
| Liquid Pipe Size (OD) | 1/4-in |
| Connection Method | Flared |
| MAX Refrigerant Pipe Length | 82-ft |
| MIN Refrigerant Pipe Length | 10-ft |
| MAX Refrigerant Pipe Height Difference | 33-ft |

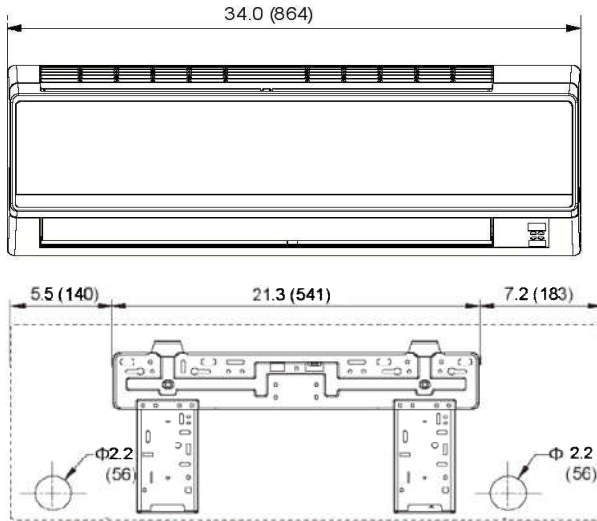


DIMENSIONAL SPECIFICATIONS

GWC18KG-D3DNB1C

INDOOR UNIT DIMENSIONS

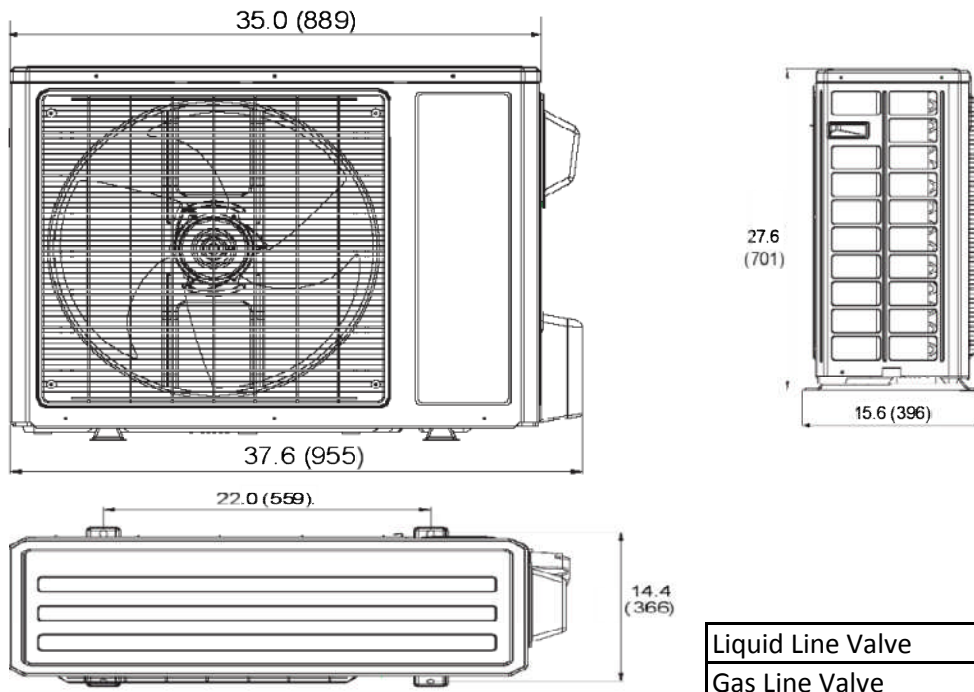
Units: inch (mm)



| | |
|-------------------|------------------|
| Liquid Line Valve | 1/4-in OD Flared |
| Gas Line Valve | 1/2-in OD Flared |
| Drain Connector | 5/8-in OD |

OUTDOOR UNIT DIMENSIONS

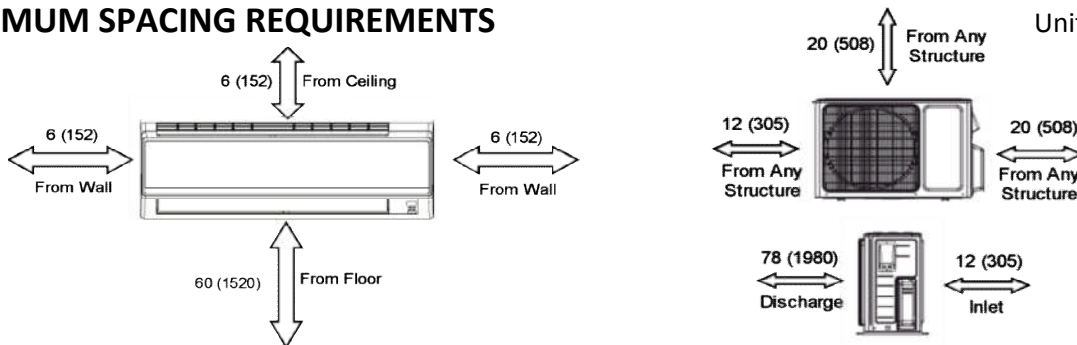
Units: inch (mm)



| | |
|-------------------|------------------|
| Liquid Line Valve | 1/4-in OD Flared |
| Gas Line Valve | 1/2-in OD Flared |

MINIMUM SPACING REQUIREMENTS

Units: inch (mm)



Notes:

1. Recommended Interconnecting Cable Type Stranded Bare Copper Conductors THHN 600V Wire
2. Power wiring cable size must comply with applicable national and local codes.
3. Test conditions are based on AHRI 210/240.



www.greecomfort.com

Specifications are subject to change without notice. Manufacturer reserves the right to discontinue or modify specifications or designs without notice or without incurring obligations. All rights reserved.