



For Use with GREE Multi Zone OD Units
MULTI18 Thru MULTI42 Standard and ULTRA SERIES
and Super+ MULTI and Super+ MULTI ULTRA SERIES

Submittal Data: SAP18HP230V1AH 18000 BTU/H (208/230V) Wall Mounted Heat Pump System

Job Name	Location	Date
Purchaser	Engineer	
Submitted To	For	<input type="checkbox"/> Reference <input type="checkbox"/> Approval <input type="checkbox"/> Construction
Unit Designation	Schedule No.	

- GENERAL FEATURES**
- Multi Speed Fan - 7 Speeds
 - Swing Louvers (Vertical and Horizontal)
 - Compact and Quiet Design
 - Wireless Remote with LCD Display
 - WIFI Enabled
 - Wired Controller (Sold Separately) XE71
 - I Feel Function
 - Blue Fin Condenser Coil
 - 5 year Limited Parts Warranty



System Ratings

Cooling			
Rated Capacity	Btu/hr	18000	
SEER	SEE MATCHED OUTDOOR UNIT RATINGS		
EER	SEE MATCHED OUTDOOR UNIT RATINGS		
Heating at 47° F			
Rated Capacity	Btu/hr	18000	
HSPF	SEE MATCHED OUTDOOR UNIT RATINGS		
COP	SEE MATCHED OUTDOOR UNIT RATINGS		
Operating Range			
Cooling	(Max)		
	(Min)	SEE MATCHED OUTDOOR UNIT RATINGS	
Heating	(Max)		
	(Min)	SEE MATCHED OUTDOOR UNIT RATINGS	

Indoor Unit Data

Fan Motor Type	Cross-Flow		
Output Power	W	60	
FLA	A	0..24	
Fan Type	Crossflow		
Air Filter	Polymeric Mesh		
Airflow			
7 - Fan Speeds	CFM	736/677/618/559/500/459/353	
Sound Pressure Level			
Turbo thru Lo	Clg dB(A)	51/48/45/42/39/36/34	
	Htg dB(A)	51/48/45/42/39/36/34	
Dehumidification			
	Pints/hr	3.8	
Drain Connection			
	in	5/8	
Left or Right Drain Line Connection-Gravity Fed			

Refrigerant Piping Data

Refrigerant	R410A		
Liquid Pipe Size (OD) Flared	in	1/4	
Gas Pipe Size (OD) Flared	in	5/8	
Connection Method	Flared		
Pre-Charge Length			
MAX Refrigerant Pipe Length	SEE MATCHED OUTDOOR UNIT RATINGS		
MIN Refrigerant Pipe Length	SEE MATCHED OUTDOOR UNIT RATINGS		
MAX Refrigerant Pipe Elevation			

Electrical Data

Power Supply -The indoor unit is powered from the outdoor unit, depending on local code, a disconnect switch may need to be installed to a power supply circuit.			
Normal Operational Voltage	208/230V, 1 Ph, 60 Hz		
Voltage Range	V	187 - 253	
MCA	SEE MATCHED OUTDOOR UNIT		
MOCB/Breaker Size	SEE MATCHED OUTDOOR UNIT		
Interconnecting Wire Size	AWG	14-4	
Stranded Copper Conductors THHN 600V Wire			



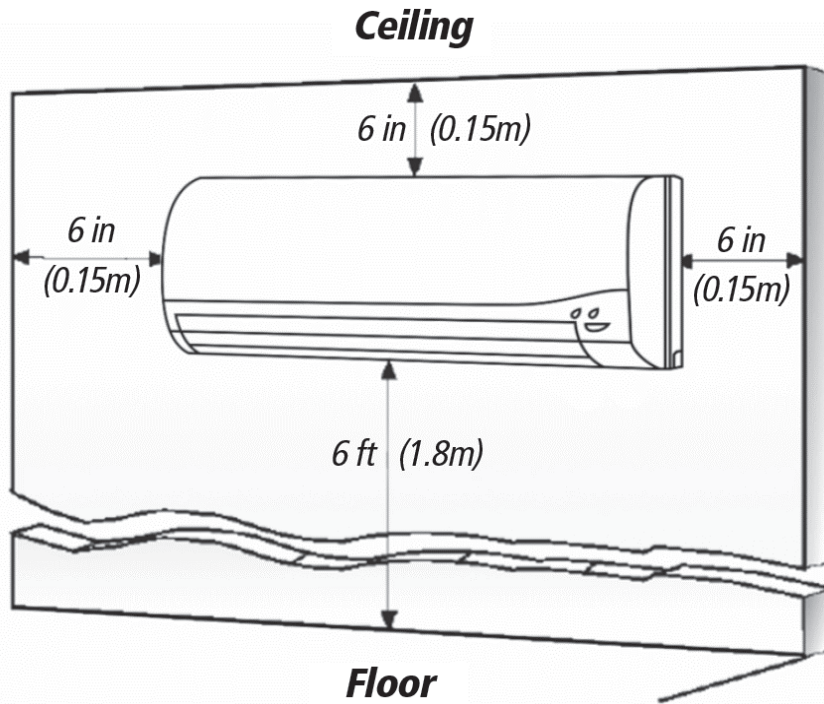
Features & Function Summary**SAPPHIRE SERIES**

SYSTEM FEATURES	
Indoor Fin Coating (Blue)	Acrylic Resin/Anti-Corrosion
Intelligent Preheating	YES
Low Voltage Startup	YES
Memory/Power Failure Recovery	YES
Self Diagnosis	YES
Wired Controller Interface	YES
WIFI Interface Capable	YES
Indoor Fan Type	Crossflow
Multi Fan Speeds	7 Speeds
Indoor Unit Display	YES
Advance Filter	Optional (see Filter Kits)
Auxiliary Electrical Heater	NO
Ventilation (Outdoor Air)	NO

REMOTE CONTROLLER FUNCTIONS	
Auto Mode	YES
Auto Fan	YES
Auto Swing (Horizontal Auto Swing)	YES
Auto Swing - 180°(Vertical Auto Swing)	YES
Clock on Remote Controller	YES
Dry Mode	YES
Dry Anti-Mildew (X-Fan) Mode	YES
Energy Saving Mode	NO
Dirty Filter Alert	NO
Fan Speed Control (7 speeds)	YES
I Feel Function	YES
Privacy Lock on Remote Controller	YES
Quiet Mode	YES
Room Temperature Display	NO
Sleep Mode	YES
4 Sleep Modes Options	YES
Timer Mode	YES
Turbo Mode	YES
Display On/Off Control	YES
Freeze Guard Mode	NO
Display On/Off Control	YES
Freeze Guard Mode	YES
Power Failure Mode	YES

MINIMUM SPACING REQUIREMENTS

INDOOR

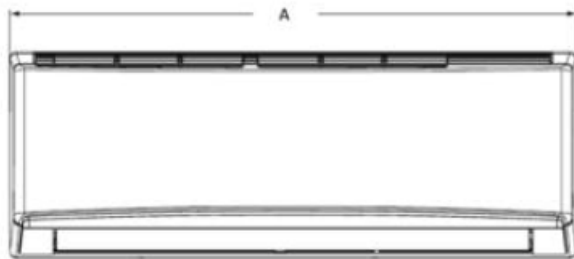


DIMENSIONAL SPECIFICATIONS

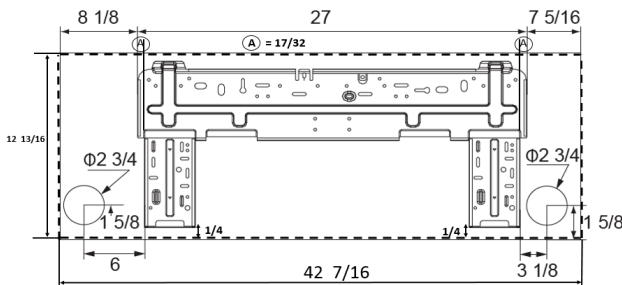
INDOOR UNIT DIMENSIONS

Model No: SAP18HP230V1AH

Units: inch



Dimensions	
A	44 1/4
B	13
C	9 3/4



Weight (Net/Gross) 36 / 44 LBS

Liquid Line Valve	1/4-in OD Flared
Gas Line Valve	5/8-in OD Flared
Drain Connector	5/8-in OD

Notes:

1. Recommended Interconnecting Cable Type 14 AWG 4 Stranded Copper Conductors THHN 600V Wire