

Submital Data: LIVV36HP230V1A 36000 BTU/H (208/230V) Wall Mounted Heat Pump System

Job Name _____ Location _____ Date _____

Purchaser _____ Engineer _____

Submitted To _____ For Reference Approval Construction

Unit Designation _____ Schedule No. _____

- GENERAL FEATURES**
- High Efficiency DC Inverter Technology
 - Compact and Quiet Design
 - Wireless Remote with LCD Display
 - Wi-Fi Ready (Kit Sold Separately) WSBE04
 - XE71 Wired Controller (Sold Separately)
 - Low Ambient Cool to -4° F
 - Heating down to -13°F
 - Blue Fin Condenser Coil
 - 5 year Limited Parts Warranty



System Ratings

Cooling			
Rated Capacity	Btu/hr		33600
Capacity Range	Btu/hr		5951 - 36000
Power Input (Max)	W		3900
SEER			18
EER			9.21
Heating at 47° F			
Rated Capacity	Btu/hr		34600
Capacity Range	Btu/hr		8530 - 37020
Power Input (Max)	W		3800
HSPF			9
COP			2.8
Heating at 17° F			
Rated Capacity	Btu/hr		22600
Operating Range			
Cooling	(Max)	115	(46 C)
	(Min)	-4	(-20 C)
Heating	(Max)	75	(24 C)
	(Min)	-13	(-25 C)

Indoor Unit Data

Fan Motor	Type	Cross-Flow	
	Output Power	W	70
	FLA	A	0.55
Airflow		CFM 824 / 706 / 588 / 441	
	Turbo/ Hi / Med / Lo		
Sound Pressure Level			
	Turbo/ Hi / Med / Lo	Clg dB(A)	55 / 50 / 46 / 37
		Htg dB(A)	55 / 50 / 46 / 41
Dehumidification		Pints/hr	7.4 pt/hr

Refrigerant Piping Data

Gas Pipe Size (OD) Flared	in	5/8
Liquid Pipe Size (OD) Flared	in	1/4
Connection Method		Flared
Factory Charge		88.2 oz
Additional Charge		0.5 oz
Pre-Charge Length		25 ft
MAX Refrigerant Pipe Length		82 ft
MIN Refrigerant Pipe Length		10 ft
MAX Refrigerant Pipe Elevation		33 ft

Outdoor Unit Data

Compressor Type	DC Inverter Driven Rotary		
	RLA	A	16.9
Refrigerant Type	R410A		
Fan Motor	Output Power	W	92
	FLA	A	0.7
Sound Pressure Level			
	Cooling/Heating	dB(A)	61

Electrical Data

Power Supply			
Normal Operational Voltage	208/230 V, 1 Ph, 60 Hz		
Voltage Range	V	187 - 253	
MCA	A	24	
MOCP/Breaker Size	A	35	
Main Power Wire Size	12-2 AWG		

Features & Function Summary**LIVV36HP230V1A**

SYSTEM FEATURES	
Inverter Type	G10
Ultra Low Frequency Torque Control	Yes
Power Factor Correction	Yes
Compressor Type	High Eff. Rotary
Refrigerant Type	R410A
Basepan With Electric Heater	YES
Compressor With Electric Heater	YES
Outdoor Fin Coating (Color: Blue)	Acrylic-Resin/Anti-Corrosive
Intelligent Defrosting	YES
Force Defrosting	YES
Intelligent Preheating	YES
Low Voltage Startup	YES
Memory/Power Failure Recovery	YES
Self Diagnosis	YES
Wired Controller Interface (XE71)	YES
Wi-Fi Interface Capable (Optional)	WSBEC04
Indoor Fan Type	Crossflow
Multi Fan Speeds	4 Speeds
Indoor Unit Display	YES
Advance Filter	Optional
Auxiliary Electrical Heater	NO
Ventilation (Outdoor Air)	NO

REMOTE CONTROLLER FUNCTIONS	
Auto Mode	YES
Auto Fan	YES
Manual Horizontal Swing	YES
Auto Swing (Vertical Auto Swing)	YES
Clock on Remote Controller	YES
Dry Mode	YES

EXTENDED RATINGS

LIVV36HP230V1A

COOLING PERFORMANCE (BtuH)*

Outdoor Ambient Temperature (DB)	Indoor Entering Air Temperatures					
	68°F DB		73°F DB		80°F DB	
	57°F FWB		61°F FWB		67°F FWB	
	TC	SHC	TC	SHC	TC	SHC
0°F	11424	8282	14112	10231	16800	12180
5°F	13104	9566	15792	11528	18480	13490
17°F	14784	10866	17472	12842	20160	14818
23°F	15456	11437	18144	13427	20832	15416
32°F	16128	12015	18816	14018	21504	16021
41°F	18144	13608	20832	15624	23520	17640
50°F	20160	15221	22848	17250	25536	19280
57°F	21504	16343	24192	18386	26880	20429
67°F	22512	17222	25200	19278	27888	21334
75°F	28224	21733	30912	23802	33600	25872
86°F	31248	24217	33936	26300	36624	28384
95°F	28224	22015	30912	24111	33600	26208
104°F	24864	19518	27552	21628	30240	23738
113°F	22848	18050	25536	20173	28224	22297
122°F	19488	15493	22176	17630	24864	19767

HEATING PERFORMANCE (BtuH)*

Outdoor Ambient Temperature (DB)	Indoor Entering Air Temperatures								
	68°F DB			70°F DB			80°F DB		
	57°F FWB			60°F FWB			67°F FWB		
	TC	Power Input (KW)	COP	TC	Power Input (KW)	COP	TC	Power Input (KW)	COP
-5°F	15916	2899	1.61	16608	2958	1.65	17300	3017	1.68
0°F	18338	2958	1.82	19030	3018	1.85	19722	3079	1.88
5°F	19376	3018	1.88	20068	3080	1.91	20760	3141	1.94
10°F	20068	3080	1.91	20760	3143	1.94	21452	3205	1.96
17°F	22375	3143	2.09	23067	3207	2.11	23759	3271	2.13
19°F	23528	3207	2.15	24220	3272	2.17	24912	3338	2.19
24°F	26988	3272	2.42	27680	3339	2.43	28372	3406	2.44
32°F	29756	3339	2.61	30448	3407	2.62	31140	3475	2.63
41°F	32178	3407	2.77	32870	3477	2.77	33562	3546	2.77
43°F	33216	3477	2.80	33908	3548	2.80	34600	3619	2.80
47°F	33908	3548	2.80	34600	3620	2.80	35292	3692	2.80
53°F	34254	3654	2.75	34946	3729	2.75	35638	3803	2.75
59°F	34600	3764	2.69	35292	3840	2.69	35984	3917	2.69
64°F	35638	3877	2.69	36330	3956	2.69	37022	4035	2.69
70°F	36676	3993	2.69	37368	4074	2.69	38060	4156	2.68
75°F	37714	4113	2.69	38406	4197	2.68	39098	4281	2.68
78°F	39098	4236	2.71	39790	4322	2.70	40482	4409	2.69

* Maximum system capacity

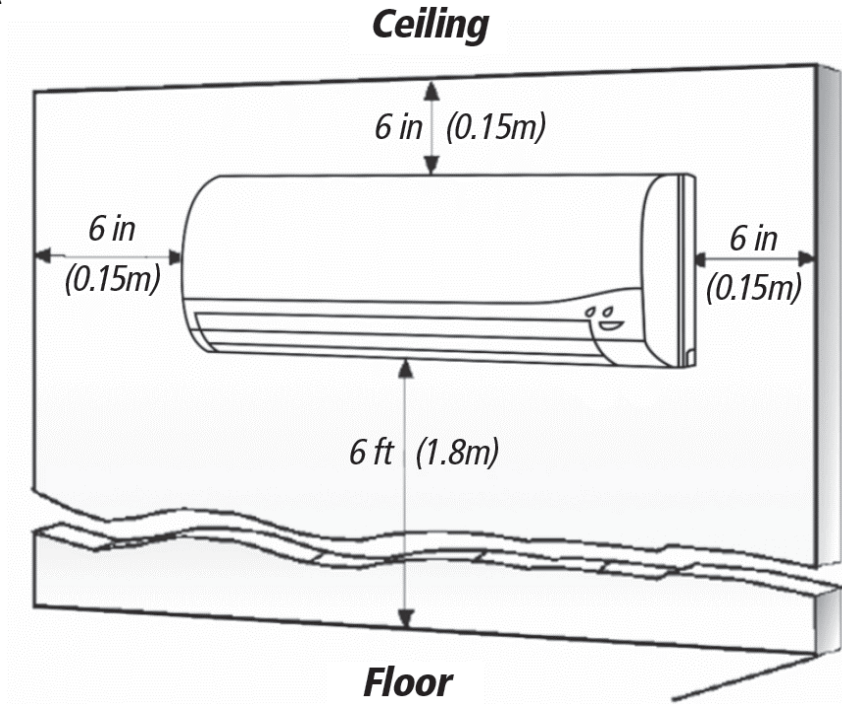
TC- Total Capacity (BtuH)

COP- Coefficient of Performance

MINIMUM SPACING REQUIREMENTS

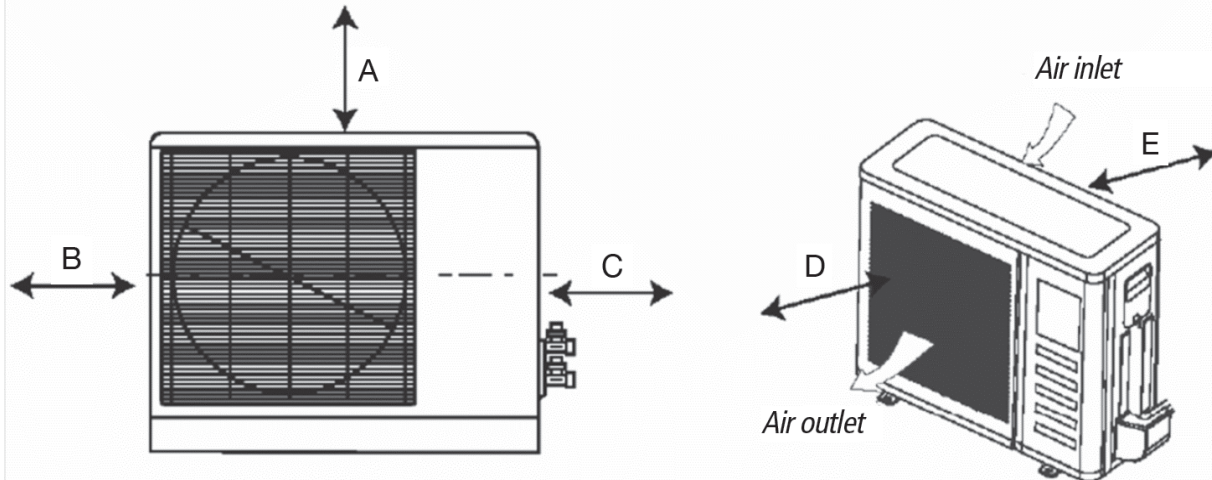
Units: inch (m)

INDOOR



OUTDOOR

Minimum Outdoor Clearances



	Minimum Distance
A	20 (500)
B	12 (305)
C	20 (500)
D	78 (1980)
E	12 (305)

Units: inch (mm)

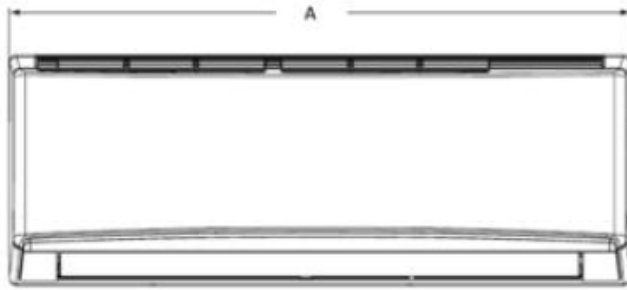
DIMENSIONAL SPECIFICATIONS

LIVV36HP230V1A

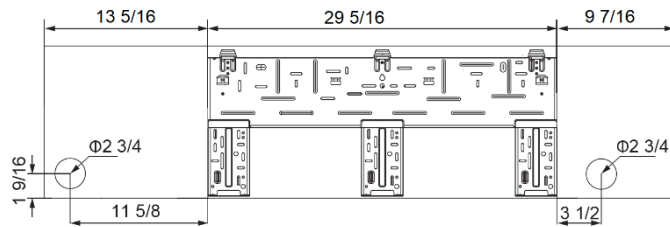
INDOOR UNIT DIMENSIONS

Units: inch

Model No: LIVV36HP230V1AH



Dimensions	
A	53 1/8
B	12 3/4
C	10



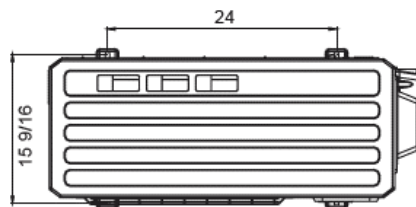
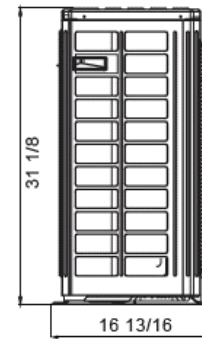
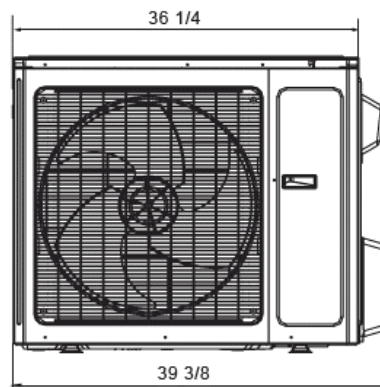
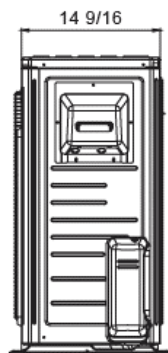
Weight (Net/Gross) 44.1 /54 lbs

Liquid Line Valve	1/4-in OD Flared
Gas Line Valve	5/8-in OD Flared
Drain Connector	5/8-in OD

OUTDOOR UNIT DIMENSIONS

Units: inch

Model No: LIVV36HP230V1AO



Weight (Net/Gross) 140/151 lbs

Liquid Line Valve	1/4-in OD Flared
Gas Line Valve	5/8-in OD Flared

Notes:

1. Recommended Interconnecting Cable Type 14 AWG 4 Stranded Copper Conductors THHN 600V Wire
2. Power wiring cable size must comply with applicable national and local codes.
3. Test conditions are based on AHRI 210/240.

Specifications are subject to change without notice. Manufacturer reserves the right to discontinue or modify specifications or designs without notice or without incurring obligations. All rights reserved.