

GREE DUCTFREE MINI-SPLITS OUTDOOR CONDENSING UNITS
ROOF STAND CONFIGURATION AND ANCHOR SELECTION - WIND LOAD EXAMINATION

CODE: FBC 6th Ed. (2017) and ASCE 7-10
 MIAMI-DADE WIND SPEED = 186 MPH

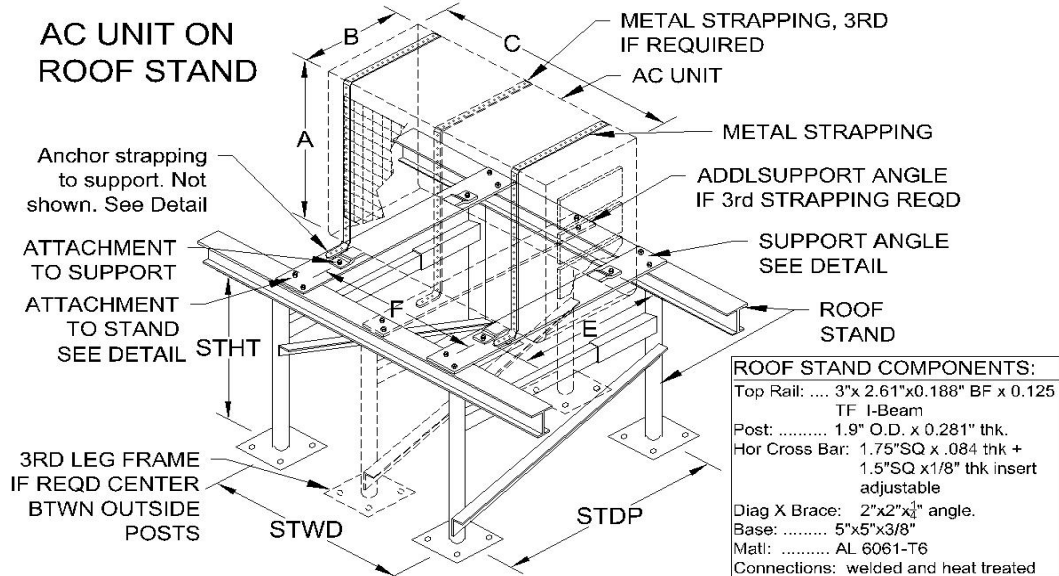
ENGINEERING CONFORMANCE ANALYSIS:

THE TABLE SHOWS ROOF STAND AND ANCHOR TYPES FOR VARIOUS MODELS OF HVAC OUTDOOR EQUIPMENT UP TO 5 TONS THAT MEET THE FOLLOWING ANALYSIS: • OVERTURN • SLIDING • ANCHOR PULLOUT AND SHEAR STRENGTH • EQUIPMENT INTEGRITY.

TABLE A-2

LIVO - Series						
Model No.	Weight (lbs)	Length C (in.)	Width B (in.)	Height A (in.)	Mount E (in.)	Mount F (in.)
LIVS09HP115V1AO/BO	59	30.7	10.1	21.3	11.3	21.3
LIVS12HP115V1AO/BO	64	30.7	10.1	21.3	11.3	21.3
LIVS09HP230V1AO/BO	65	28.0	10.0	21.3	11.3	20.1
LIVS12HP230V1AO/BO	69	28.0	10.0	21.3	11.3	20.1
LIVS18HP230V1AO/BO	90	35.3	13.4	27.6	15.6	22.0
LIVS24HP230V1AO/BO	104	35.3	13.4	27.6	15.6	22.0
LIVS30HP230V1AO/BO/CO	152	36.2	14.6	31.1	15.5	26.4
LIVS36HP230V1AO/BO/CO	161	36.2	14.6	31.1	15.5	26.4

Installation Requirements								
Roof Stand	Support Angle	Strapping		Design Check: Nominal / Reqd ≥ 1.00 = OK				
		# of Straps If Required	Gauge thickness	Conc Anc Pullout	Conc Anc Shear	Unit Foot Anchor Pullout		
A-1	2	1/4	A-4	Yes, 2	22ga	1.38	2.12	3.97
A-1	2	1/4	A-4	Yes, 2	22ga	1.39	2.12	3.98
A-1	2	1/4	A-4	Yes, 2	22ga	1.53	2.33	4.39
A-1	2	1/4	A-4	Yes, 2	22ga	1.54	2.33	4.40
A-2	2	1/4	A-4	Yes, 2	22ga	1.20	2.61	2.80
A-2	2	1/4	A-4	Yes, 2	22ga	1.21	2.61	2.82
A-2	2	1/4	A-4	Yes, 2	20ga	1.03	2.26	2.22
A-2	2	1/4	A-4	Yes, 2	20ga	1.03	2.26	2.23



ROOF STAND COMPONENTS:
 Top Rail: 3"x 2.61"x0.188" BF x 0.125 TF I-Beam
 Post: 1.9" O.D. x 0.281" thk.
 Hor Cross Bar: 1.75" SQ x .084 thk + 1.5" SQ x 1/8" thk insert adjustable
 Diag X Brace: 2"x2"x1/4" angle.
 Base: 5"x5"x3/8"
 Matl: AL 6061-T6
 Connections: welded and heat treated

Bri-Ko Engineering, Inc., Structural Analysis
 Spreadsheet designed by: B. Schwartz, PE
 Date data input: 11-Apr-19

Calc Sht: EC-1 Mechanical Equipment on Roof Stand Calc
 Description: Structural Analysis of roof stand mounted mechanical equipment to resist wind forces.
 Code: Florida Building Code 6th Ed. (2017) and ASCE 7-10.

Design Methodology and Load Combinations:

Design Method: LRFD $\Phi = 0.90$
 Load Combos: FBC Eqn. 16-6 0.9 D + 1.0 W
 Wind Forces: based on FBC 6th Ed., 1620, $Af < 0.1Bh$, $Af < 0.1 BL$

Ultimate Design Wind Speed, Vult (3-sec gust): **186 mph** Miami Dade
 Nominal Design Wind Speed, Vasd: **144 mph**
 Risk Category: **IV** Dir., Topo., Gust Effect: **0.90** **1.00** **N/A**
 Height, h: **60 ft** Exp. Cat.: **C** Vel. Pres. Exp Coef., Kz: **1.137**
 Enclosure Cat: **N/A**
 Velocity Pressure $q_h = 0.00256 K_z K_{zt} K_d V^2$ (lb/ft²) $q_h = 90.6$ psf
 F = $q_h(GC_p)A_f$ (GC_p)_{v,l} = (1.5 ver., 1.9 lat.) F_{ver, Flat}: **135.9 psf**, **172.1 psf**

Limit States: for illustration purposes only:
 Select UnitType: **LIVO** Select Model # **LIVS36HP230V1AO/BO/CO**
 Number of Leg Frames is 2

Loads, (lbs): P1= 1346 P2= 499 P3= 543 PD= 161

Resistance to sliding stand post: Req'd. Shear/leg = **363 lbs** Nominal Shear per leg: **850 lbs** CHECKS OK

Resistance to sliding anchors to support: Req'd Sher/anc: **363 lbs** Nom Shear per bolt: **900 lbs** CHECKS OK

Resistance to Moment and Uplift: Use Load Combo: **0.90 D + 1.00 W**

Overturn M at stand base: **75.3 k-in** Base Pullup: **672 lbs**

Overturn M at unit foot: **23.7 k-in** Foot Pullup: **800 lbs**

Nom Pullup Str, 4xConcAnc, Bolt: **3040 lbs** **1700 lbs** CHECKS OK

Verification of Support Angle: Forces, lbs: -R₁ = 416 R₂ = 800 R₃ = 550 R₄ = 166

Required Mom.: **4.3 k-in** Req'd Section Modulus: **0.226 in³**

Use: 3"x3"x1/4" with Sx= 0.547 in³

Unit Integrity: If Required. Only if manufacturer does not state design wind pressure.

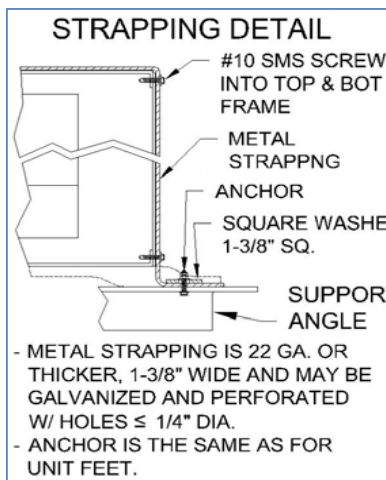
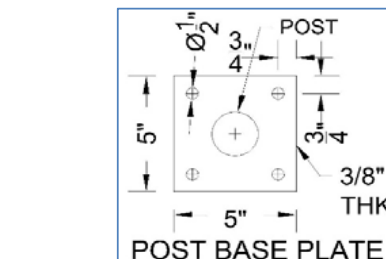
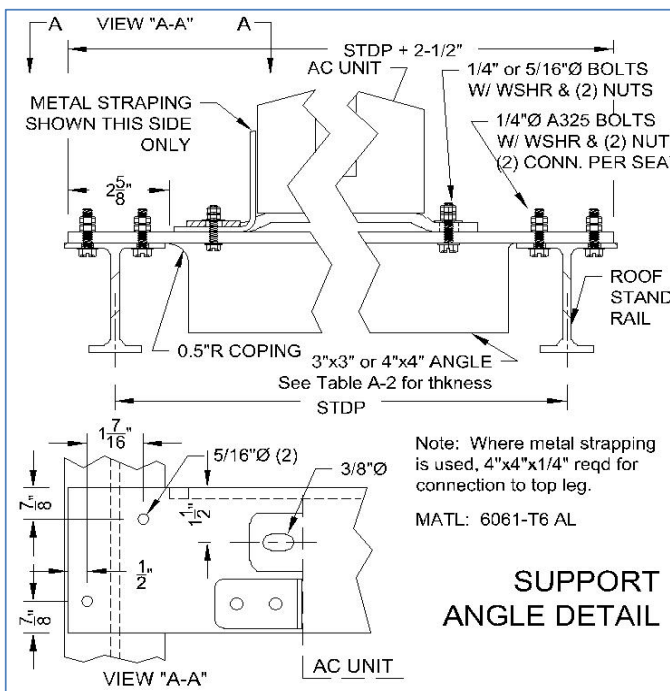
Required tension on strap= **805 lbs**

Strap width, gauge= **1.375 in.** **20ga** min gauge thickness

Steel Strength= **45 ksi min.** Strength of strap= **981 lbs** CHECKS OK

When multiple models with similar dimensions but differing weights, lowest weight is stated for worse case overturn verification.

Roof Stand min, maxs:				Leg Max Forces(lbs)
limits	STWD	STDP	STHT	Tension: 5860
min:	24 in.	28 in.	18 in.	Comp.: 6000
max:	36 in.	36 in.	33 in.	Shear: 1700



- Anchor Type is the minimum, higher strength types permitted.
 GENERAL NOTES:

1. THIS ENGINEERING REPORT DOCUMENTS THE ANALYSIS OF AC EQUIPMENT MOUNTED ON A ROOF STAND AND THE ASSOCIATED ANCHORING SYSTEMS TO RESIST DEAD WEIGHT AND WIND LOAD FORCES.
2. THE LOAD PATH VERIFIED IS FROM THE EQUIPMENT AS A SINGLE UNIT, ENCLOSURE FASTENERS, UNIT LEG ANCHORS, ROOF STAND CROSS SUPPORT TO ROOF STAND.
3. THE AC UNIT IS MOUNTED ON A METAL ROOF STAND WHICH IS SECURED TO THE ROOF.
4. ANCHORS USED TO FASTEN THE UNIT TO THE ROOF STAND ARE A307 OR HIGHER STRENGTH STEEL BOLTS.
5. THE ROOF STAND IS SUPPLIED BY THE MANUFACTURER INDICATED IN THIS DOCUMENT AND IS INSTALLED IN CONFORMANCE WITH THE ENGINEERING DOCUMENT REFERENCED.
6. UNIT INTEGRITY, IF NOT DESIGNATED BY THE MANUFACTURER FOR THE STATED WIND PRESSURES, IS ADDRESSED BY STRAPPING ATTACHED TO THE UNIT AND ANCHORED TO THE SUPPORT ANGLES. THIS RESISTS SHELL AND FRAME SEPARATION.

- CALCULATIONS:**
1. THE WIND LOAD ACTING NORMAL TO THE LARGE VERTICAL SIDE OF THE AC UNIT IS USED FOR WORST CASE SHEAR.
 2. THE WIND LOAD ACTING ON THE TOP OF THE UNIT UPWARD AND THE HORIZONTAL WIND LOAD IS USED TO CALCULATE UPLIFT AND MOMENT.
 3. THESE FORCES MUST BE RESISTED BY THE SHEAR AND TENSILE STRENGTH OF THE ANCHORS BOTH HOLDING THE UNIT TO THE SUPPORT BAR AND THE SUPPORT BAR TO THE ROOF STAND.
 4. THE MOMENT AND SHEAR MUST BE TRANSFERRED FROM THE AC UNIT TO THE ROOF STAND BY A SUPPORT BAR AS THE AC UNIT DEPTH IS LESS THAN THE ROOF STAND DEPTH.
 5. MAX MOMENT AND SHEAR TO THE SUPPORT BAR DETERMINE SELECTION OF THE SUPPORT BAR.

- ROOF STAND NOTES:**
- 1) ROOF STAND IS "AIR CONDITIONING ALUM. STAND" ASBLY NO. 1 WITH (4) LEGS, AS BY R.M. ENTERPRISES, PER ENGINEERING DRWG DATED 03-09-2012 SIGNED AND SEALED BY P.E.#56902
 - 2) STHT = STAND HEIGHT WITH MIN 18", MAX 33".
 - 3) STWD = STAND WIDTH = 24" MIN, 36" MAX.
 - 4) STDP = STAND DEPTH = 28" MIN, 36" MAX.
 - 5) SUPPORT ANGLE AND FASTENERS OF SUPPORT TO STAND AND SUPPORT TO AC UNIT ARE DEFINED IN DETAIL BELOW.
 - 6) AC UNIT MUST BE CENTERED ON SUPPORT.W. (ROOF STAND LIMITS.) MAX COMPRESSION PER FOOT = 6000 LBS. MAX UPLIFT PER FOOT = 5860 LBS. MAX SHEAR PER TWO FEET = 1700 LBS.

TABLE A-1 ANCHOR TYPE AND ALLOWABLE STRENGTHS				
SYM	ANCHOR DESCRIPTION & MANUFACTURER	EMBED	STRENGTH AT MIN SPACING	
			PULL OUT (LBS)	SHEAR (LBS)
A-1	1/4" TAPCON (Buildex)	1-3/4"	505	415
A-2	5/16" Hvy Duty Tapcon (Buildex)	1-3/4"	695	760
A-3	3/8" WEDGE BOLT (Powers)	2-1/2"	1025	1370
A-4	1/4" A307 Bolt	N/A	1700	900
A-5	5/16" A307 Bolt	N/A	2500	1500

Sheet: **ENG-1** BRI-KO ENGINEERING INC Cert. Of Auth.:#27622 tel: 954.648.6218
 Doc: **Page 1 of 1**
 Gree -LIVO_RoofStand
 Issue Date: **2-Apr-19**
 Dwn By: **B.S.**
 Dwg Size: **11x 17**