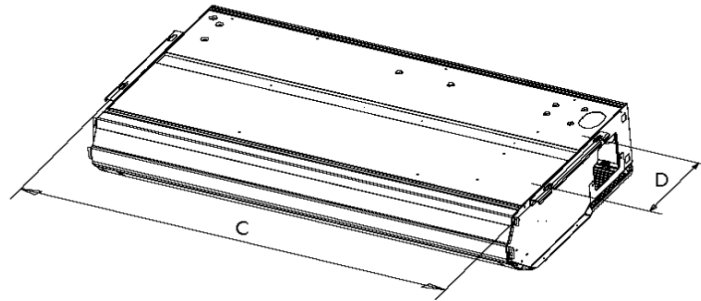
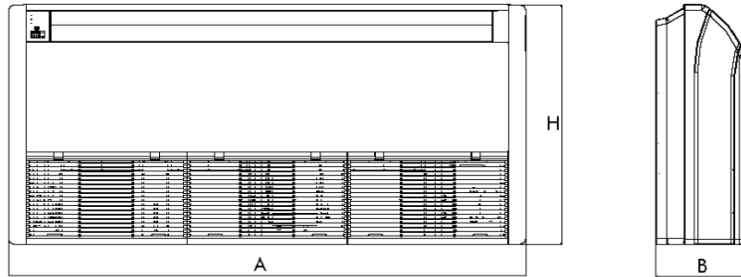


18,000 BTUH MODEL

Model # FLR18HP230V1AF 18,000 BTUH 230V



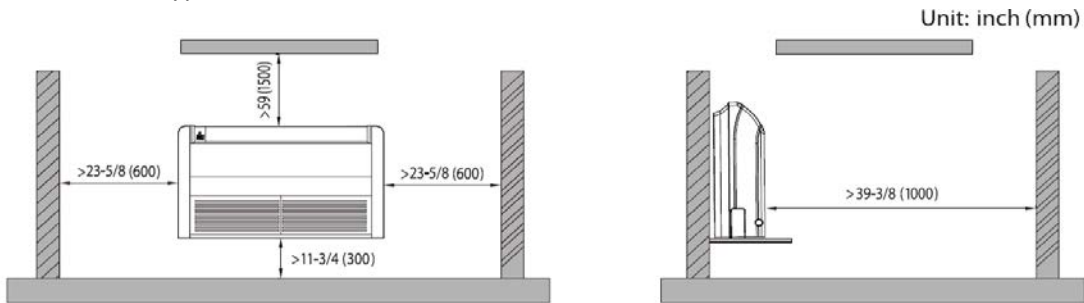
Dimensions

	A	B	C	D	H	H
(mm)	1220	225	1158	280	700	700
(inches)	48.0	8.9	45.6	11.0	27.6	27.6

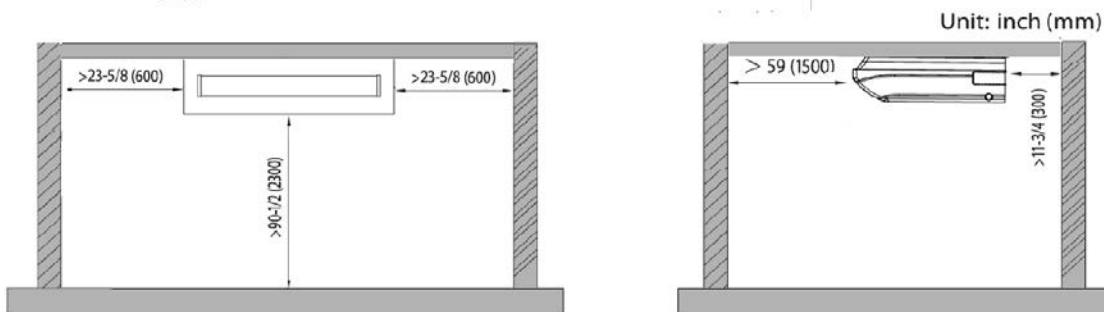
Note: Size refrigerant lines based on evaporator port sizes.

MINIMUM CLEARANCE

◆ Wall type



◆ Ceiling type



Notes:

1. Recommended Interconnecting Cable Type Stranded Bare Copper Conductors THHN 600V Unshielded Wire
2. Power wiring cable size must comply with applicable national and local codes.
3. Test conditions are based on AHRI 210/240.



www.greecomfort.com

Specifications are subject to change without notice. Manufacturer reserves the right to discontinue or modify specifications or designs without notice or without incurring obligations. All rights reserved.