

**Submittal Data: CROWN09HP230V1B      9,000 BTU/H Wall Mounted Heat- Pump System**

Job Name	Location	Date
----------	----------	------

Purchaser	Engineer
-----------	----------

Submitted To	For <input type="checkbox"/> Reference <input type="checkbox"/> Approval <input type="checkbox"/> Construction
--------------	--

Unit Designation	Schedule No.
------------------	--------------

- GENERAL FEATURES**
- Variable Speed (Inverter) Two-Stage Compressor
  - Low Ambient Heating ( down to -22° F)
  - Wi Fi Controls
  - 7 Indoor Fan Speeds
  - 4 Way Airflow Operation
  - Wireless Remote with LCD Display
  - Copper Tube/Aluminum Fins w/ Acrylic Resin Anti-Corrosion Coating on both ID and OD units
  - I-FEEL Function
  - 5 year Limited Parts Warranty


**System Ratings**

<b>Cooling</b>	
Rated Capacity	9,000 BTU/H
Capacity Range	1,535-12,966 BTU/H
Power Input (Max)	1,400 W
SEER	30.5
EER	15.7

<b>Heating at 47° F</b>	
Rated Capacity	9,000 BTU/H
Capacity Range	2,388-13,648 BTU/H
Power Input (Max)	1,500 W
HSPF	10.5
COP	4.2

<b>Heating at 17° F</b>	
Rated Capacity	5,500 BTU/H
Capacity (Max)	9,180 BTU/H
Power Input (Max)	1,009 W
COP	2.8

<b>Operating Range</b>		
Cooling	(Max)	129°F (54 C)
	(Min)	0°F (-18 C)
Heating	(Max)	75°F (24 C)
	(Min)	-22°F (-30 C)

<b>Power Supply</b>	
Normal Operational Voltage	208/230 V, 1 Phase, 60 Hz
Voltage Range	187 - 253 V
Main Power Wire Size	14-2 AWG
Interconnecting Cable Wire Size	14-4 AWG
MCA	12 A
MOCP/Breaker Size	15 A

**Indoor Unit Data**

<b>Fan Motor</b>	Type	Cross-flow
	Output Power	20 W
	FLA	0.2 A
<b>Airflow</b>	(Low/High)	206/412 CFM
<b>Air Throw</b>	(Max)	29.5 ft
<b>Sound Level</b>		
	Cooling (Low/High)	22/41 db(A)
	Heating (Low/High)	22/41 db(A)
<b>Dehumidification</b>		1.7 pt/hr

**Outdoor Unit Data**

<b>Compressor</b>	Type	DC Inverter Driven 2-Stage Rotary
	FLA	8.5A
<b>Fan Motor</b>	Output Power	30 W
	FLA	0.36 A
<b>Sound Pressure</b>		53 db(A)

<b>Refrigerant Piping Data</b>		
Gas Pipe Size (OD)		1/2-in
Liquid Pipe Size (OD)		1/4-in
Connection Method		Flared
Factory Charge		R410a/49.4 oz
Additional Charge		0.21 oz/ft
Pre-Charge Length		25-ft
Max Refrigerant Pipe Length		49-ft
Min Refrigerant Pipe Length		10-ft
MAX Refrigerant Pipe Elevation		33-ft

<b>SYSTEM FEATURES</b>	
Inverter Type	G10
Ultra Low Frequency Torque Control	Yes
Power Factor Correction	Yes
Compressor Type	High Eff. Two Stage Rotary
Refrigerant Type	R410A
Basepan With Electric Heater	YES
Compressor With Electric Heater	YES
Indoor & Outdoor Fin Coating	Acrylic Resin/Anti-Corrosion
Intelligent Defrosting	YES
Intelligent Preheating	YES
Low Voltage Startup	YES
Memory/Power Failure Recovery	YES
Self Diagnosis	YES
Wired Controller Interface	NO
Wi-Fi Interface Capable	YES
Indoor Fan Type	Crossflow
Multi Fan Speeds	7 Speeds
Indoor Unit Display	YES
Advance Filter	Optional (see Filter Kits)
Auxiliary Electrical Heater	NO
Ventilation (Outdoor Air)	NO

<b>REMOTE CONTROLLER FUNCTIONS</b>	
Auto Mode	YES
Auto Fan	YES
Auto Swing (Horizontal Auto Swing)	YES
Auto Swing (Vertical Auto Swing)	YES
Clock on Remote Controller	YES
Dry Mode	YES
Dry Anti-Mildew (X-Fan) Mode	YES
Energy Saving Mode	NO
Dirty Filter Alert	NO
I Feel Function	YES
Lock on Remote Controller	YES
Quiet Mode	YES
Room Temperature Display	NO
Sleep Mode	YES
4 Sleep Modes Options	YES
Timer Mode	YES
Turbo Mode	YES
Display On/Off Control	YES
Freeze Guard Mode	NO

## COOLING PERFORMANCE (BtuH)\*

Outdoor Ambient Temperature (DB) °F	Indoor Entering Air Temperatures							
	65 DB		68 DB		73 DB		79 DB	
	55 WB		57 WB		61 WB		64 WB	
	TC	SHC	TC	SHC	TC	SHC	TC	SHC
5 °F	5,030	3,940	5,480	4,290	5,810	4,560	6,200	4,860
14 °F	5,240	4,110	5,740	4,500	6,070	4,760	6,480	5,080
23 °F	5,850	4,590	6,290	4,930	6,730	5,280	7,170	5,620
32 °F	6,160	4,840	6,630	5,190	7,090	5,560	7,550	5,920
41 °F	6,470	5,080	6,970	5,450	7,450	5,840	7,930	6,220
50 °F	6,780	5,330	7,310	5,710	7,810	6,120	8,310	6,520
59 °F	7,100	5,570	7,630	5,980	8,160	6,400	8,690	6,820
68 °F	8,100	6,350	8,640	6,780	9,180	7,200	9,540	7,480
77 °F	8,000	6,270	8,540	6,700	9,080	7,120	9,450	7,410
86 °F	7,580	5,940	8,120	6,370	8,660	6,790	9,090	7,130
95 °F	7,150	5,610	7,680	6,030	8,220	6,450	8,750	6,870
104 °F	6,770	5,310	7,310	5,730	7,850	6,150	8,380	6,570
113	6,400	5,020	6,940	5,440	7,470	5,860	8,010	6,280
122	6,210	4,870	6,750	5,290	7,200	5,650	7,740	6,070

## HEATING PERFORMANCE (BtuH)\*

Outdoor Ambient Temperature (DB) °F	Indoor Entering Air Temperatures							
	65 DB		68 DB		73 DB		79 DB	
	55 WB		57 WB		61 WB		64 WB	
	TC	SHC	TC	SHC	TC	SHC	TC	SHC
-22 °F	8,330	8,330	8,080	8,080	8,000	8,000	7,920	7,920
-13 °F	8,710	8,710	8,450	8,450	8,360	8,360	8,280	8,280
-4 °F	9,280	9,280	9,000	9,000	8,910	8,910	8,820	8,820
0 °F	9,470	9,470	9,180	9,180	9,090	9,090	9,000	9,000
6 °F	9,470	9,470	9,180	9,180	9,090	9,090	9,000	9,000
10 °F	9,470	9,470	9,180	9,180	9,090	9,090	9,000	9,000
16 °F	9,470	9,470	9,180	9,180	9,090	9,090	9,000	9,000
19 °F	9,470	9,470	9,180	9,180	9,090	9,090	9,000	9,000
24 °F	9,470	9,470	9,180	9,180	9,090	9,090	9,000	9,000
32 °F	9,470	9,470	9,180	9,180	9,090	9,090	9,000	9,000
41 °F	9,470	9,470	9,180	9,180	9,090	9,090	9,000	9,000
43 °F	9,470	9,470	9,180	9,180	9,090	9,090	9,000	9,000
47 °F	9,570	9,570	9,280	9,280	9,180	9,180	9,090	9,090
53 °F	9,780	9,780	9,490	9,490	9,390	9,390	9,300	9,300
59 °F	9,990	9,990	9,690	9,690	9,590	9,590	9,500	9,500
64 °F	10,180	10,180	9,870	9,870	9,770	9,770	9,680	9,680
70 °F	10,320	10,320	10,010	10,010	9,910	9,910	9,810	9,810
75	10,420	10,420	10,100	10,100	10,000	10,000	9,900	9,900
78	10,420	10,420	10,100	10,100	10,000	10,000	9,900	9,900

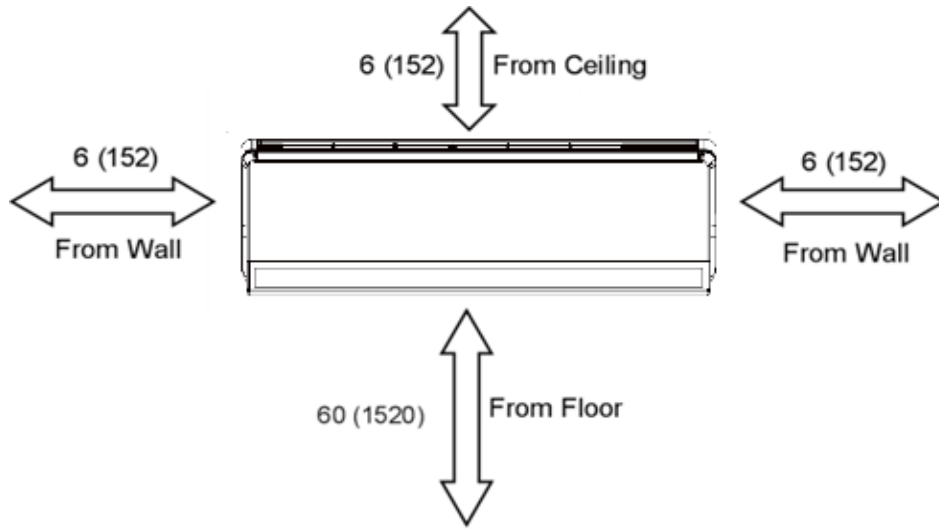
TC- Total Capacity ( BtuH)

SHC- Sensible Capacity (BtuH)

MINIMUM SPACING REQUIREMENTS

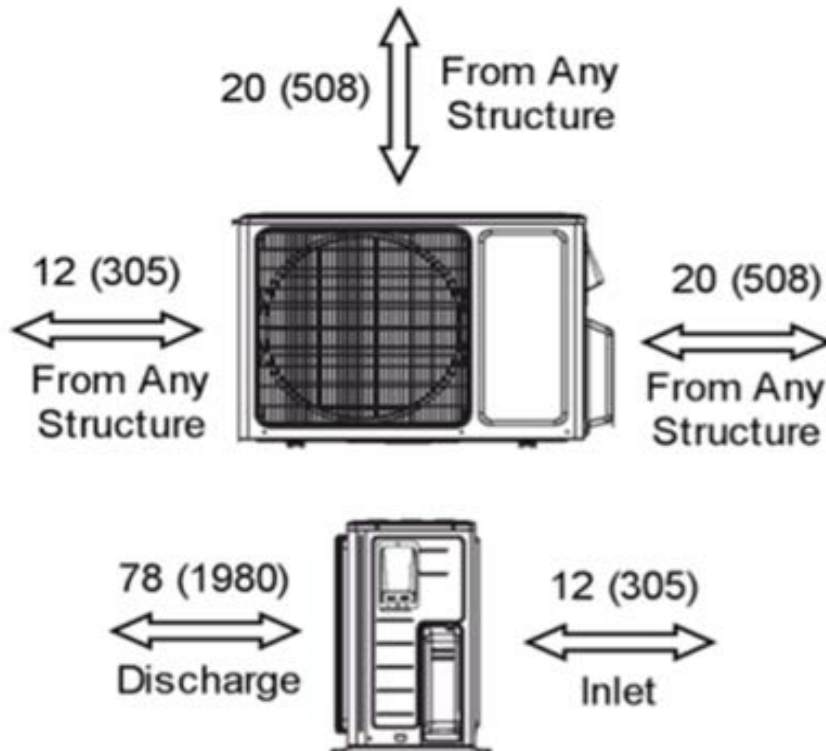
Units: inch (mm)

INDOOR



Units: inch (mm)

OUTDOOR



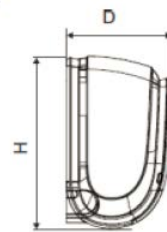
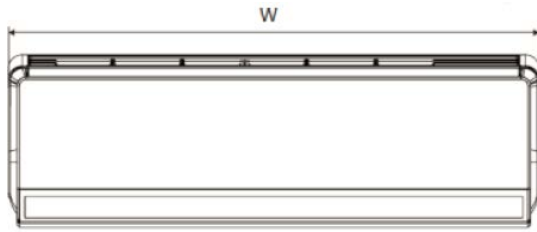
## DIMENSIONAL SPECIFICATIONS

**CROWN09HP230V1B**

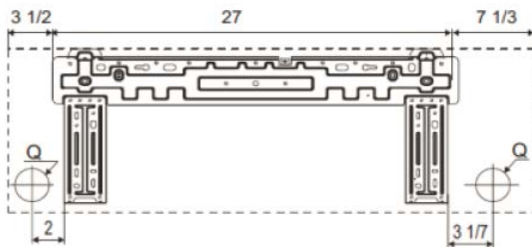
### INDOOR UNIT DIMENSIONS

Units: inch

Model No: CROWN09HP230V1BH



Dimensions	
W	37.8
H	12.6
D	8.1



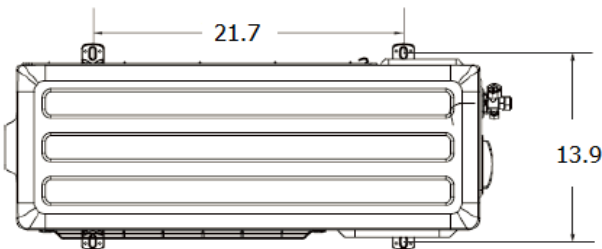
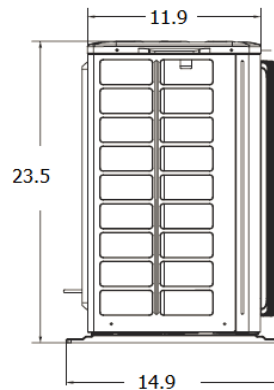
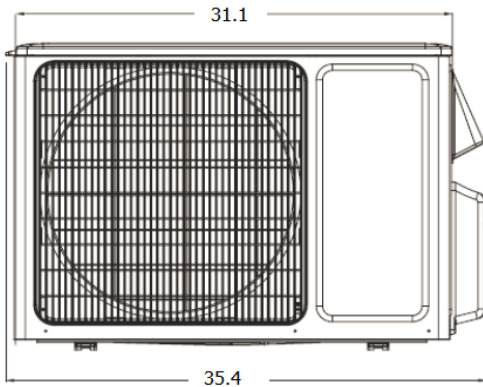
Weight (Net/Shipping) 30.9/37.5 LBS

Liquid Line Valve	1/4-in OD Flared
Gas Line Valve	1/2-in OD Flared
Drain Connector	5/8-in OD

### OUTDOOR UNIT DIMENSIONS

Units: inch

Model No: CROWN09HP230V1BO



Liquid Line Valve	1/4-in OD Flared
Gas Line Valve	1/2-in OD Flared

Weight (Net/Shipping) 99.2/105.8 LBS

Notes:

1. Recommended Interconnecting Cable Type 14 AWG 4 Stranded Copper Conductors THHN 600V Wire
2. Power wiring cable size must comply with applicable national and local codes.
3. Test conditions are based on AHRI 210/240.

Specifications are subject to change without notice. Manufacturer reserves the right to discontinue or modify specifications or designs without notice or without incurring obligations. All rights reserved.