

Submittal Data: TERRA09HP230V1A 9,000 BTU/H Wall Mounted Heat- Pump System

Job Name Location Date

Purchaser Engineer

Submitted To For Reference Approval Construction

Unit Designation Schedule No.

- GENERAL FEATURES**
- Ultra High Efficiency
 - 7 Indoor Fan Speeds
 - 4 Way Airflow Operation
 - Photocatalytic Filter
 - Wireless Remote with LCD Display
 - Acrylic Resin/Anti-Corrosion Coil Protection Inside & Out
 - 5 year Limited Parts Warranty
 - 7 year Limited Compressor Warranty



System Ratings

| | |
|-------------------|--------------------|
| Cooling | |
| Rated Capacity | 9,000 BTU/H |
| Capacity Range | 3,500-9,6000 BTU/H |
| Power Input (Max) | 1200 W |
| SEER | 27 |
| EER | 14.5 |

| | |
|-------------------------|--------------------|
| Heating at 47° F | |
| Rated Capacity | 9,800 BTU/H |
| Capacity Range | 2,200-11,000 BTU/H |
| Power Input (Max) | 1250 W |
| HSPF | 9.0 |
| COP | 3.8 |

| | |
|-------------------------|-------------|
| Heating at 17° F | |
| Rated Capacity | 5,800 BTU/H |
| Capacity (Max) | 8,330 BTU/H |
| Power Input (Max) | 1,063 W |
| COP | 2.7 |

| | |
|------------------------|--------------|
| Operating Range | |
| Cooling (Max) | 118°F (48 C) |
| (Min) | 5°F (-15 C) |
| Heating (Max) | 75°F (24 C) |
| (Min) | 5°F (-15 C) |

| | |
|---------------------------------|---------------------------|
| Power Supply | |
| Normal Operational Voltage | 208/230 V, 1 Phase, 60 Hz |
| Voltage Range | 187 - 253 V |
| Main Power Wire Size | 14-2 AWG |
| Interconnecting Cable Wire Size | 14-4 AWG |
| MCA | 10 A |
| MOCP/Breaker Size | 15 A |

Indoor Unit Data

| | | |
|------------------|--------------|-------|
| Fan Motor | Output Power | 10 W |
| | FLA | 0.1 A |

| | |
|---------------------|-------------|
| Airflow | |
| Cooling Wet (Lo/Hi) | 118/418 CFM |
| Heating Dry (Lo/Hi) | 119/420 CFM |

| | |
|-----------------------------|-------------|
| Sound Pressure Level | |
| Cooling (Lo/Hi) | 33/42 db(A) |
| Heating (Lo/Hi) | 33/42 db(A) |

| | |
|---------------------------------|----------------------|
| Dimensions & Weights | |
| Unit Dimensions (LxHxD) | 34.1 x 11.5 x 8.2-in |
| Weight (Net/Shipping) | 24/31 LBS |

Outdoor Unit Data

Compressor DC Inverter Driven Rotary

Refrigerant Type R410A

| | | |
|------------------|--------------|-------|
| Fan Motor | Output Power | 40 W |
| | FLA | 0.2 A |

| | |
|-----------------------|-------------|
| Sound Pressure | |
| Cooling (Lo/Hi) | 49/59 db(A) |
| Heating (Lo/Hi) | 49/59 db(A) |

| | |
|---------------------------------|-----------------------|
| Dimensions & Weights | |
| Unit Dimensions (LxHxD) | 35.4 x 23.5 x 14.9-in |
| Weight (Net/Shipping) | 86/90 LBS |

Refrigerant Piping Data

| | |
|--|--------|
| Gas Pipe Size (OD) | 1/2-in |
| Liquid Pipe Size (OD) | 1/4-in |
| Connection Method | Flared |
| MAX Refrigerant Pipe Length | 50-ft |
| MIN Refrigerant Pipe Length | 10-ft |
| MAX Refrigerant Pipe Height Difference | 33-ft |



EXTENDED RATINGS

COOLING PERFORMANCE

| Outdoor Ambient Temperature (DB) | Indoor Entering Air Temperatures (DB) 50% RH | | | | | |
|----------------------------------|--|-------|--------|-------|--------|-------|
| | 62 F | | 67 F | | 72 F | |
| | TC | SHC | TC | SHC | TC | SHC |
| 25 F | 11,333 | 8,458 | 12,261 | 8,901 | 13,076 | 9,465 |
| 35 F | 11,096 | 8,448 | 11,828 | 8,662 | 12,287 | 8,993 |
| 45 F | 10,552 | 8,153 | 11,307 | 8,404 | 12,069 | 8,792 |
| 55 F | 10,169 | 7,892 | 10,836 | 8,161 | 11,591 | 8,498 |
| 65 F | 9,814 | 7,682 | 10,795 | 8,222 | 11,423 | 8,409 |
| 75 F | 9,425 | 7,401 | 10,176 | 7,847 | 10,917 | 8,081 |
| 85 F | 9,060 | 7,224 | 9,710 | 7,518 | 10,527 | 7,889 |
| 95 F | 8,628 | 6,896 | 9,262 | 7,421 | 10,101 | 7,626 |
| 105 F | 8,158 | 6,638 | 8,768 | 7,030 | 9,539 | 7,322 |
| 115 F | 7,697 | 6,370 | 8,151 | 6,639 | 8,699 | 6,840 |

HEATING PERFORMANCE

| Outdoor Ambient Temperature (DB) (80% RH) | Indoor Entering Air Temperatures (DB) | | | | | |
|---|---------------------------------------|--------|--------|--------|--------|--------|
| | 65 F | | 70 F | | 75 F | |
| | TC | SHC | TC | SHC | TC | SHC |
| 5 F | 8,003 | 8,003 | 7,882 | 7,882 | 7,785 | 7,785 |
| 15 F | 8,291 | 8,291 | 8,189 | 8,189 | 8,152 | 8,152 |
| 25 F | 9,843 | 9,843 | 9,717 | 9,717 | 9,256 | 9,256 |
| 35 F | 10,019 | 10,019 | 9,956 | 9,956 | 9,605 | 9,605 |
| 45 F | 11,096 | 11,096 | 10,777 | 10,777 | 10,222 | 10,222 |
| 55 F | 11,109 | 11,109 | 10,830 | 10,830 | 10,437 | 10,437 |
| 65 F | 11,068 | 11,068 | 10,906 | 10,906 | 10,624 | 10,624 |

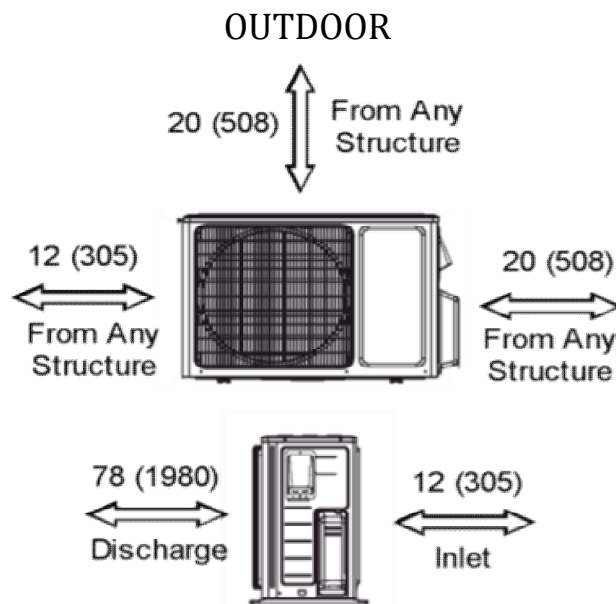
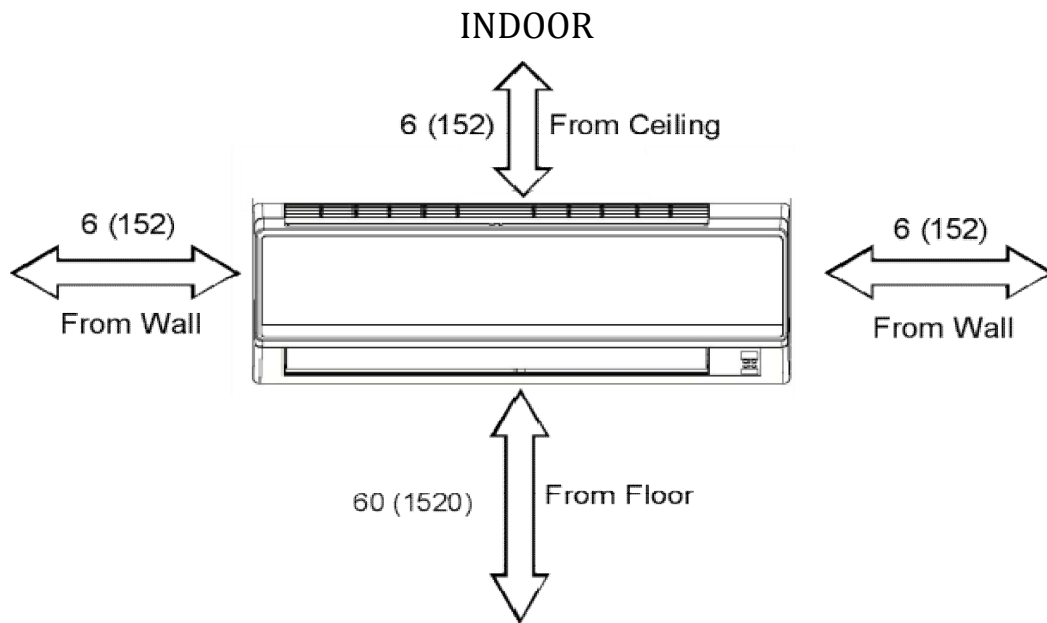
TC- Total Capacity (BtuH)

SHC- Sensible Capacity (BtuH)



MINIMUM SPACING REQUIREMENTS

Units: inch (mm)

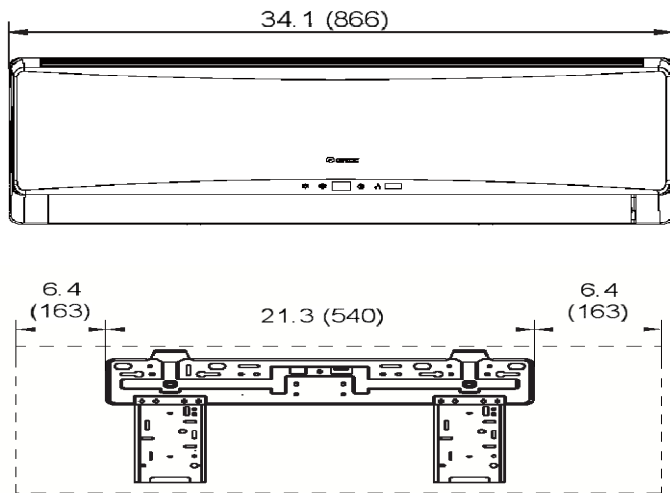


DIMENSIONAL SPECIFICATIONS

TERRA09HP230V1A

INDOOR UNIT DIMENSIONS

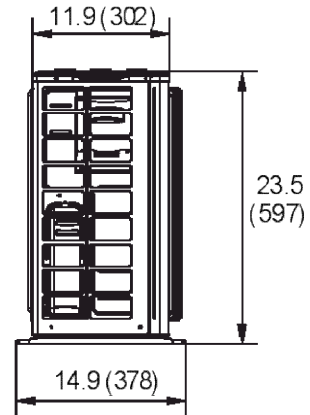
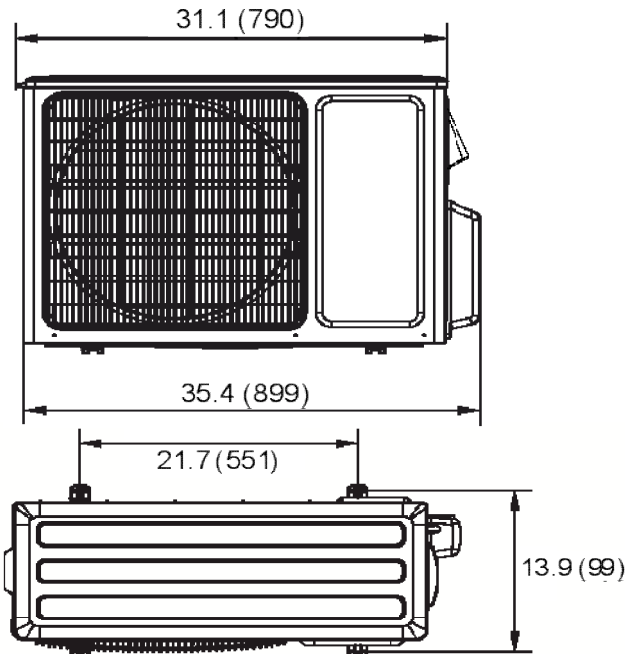
Units: inch (mm)



| | |
|-------------------|------------------|
| Liquid Line Valve | 1/4-in OD Flared |
| Gas Line Valve | 1/2-in OD Flared |
| Drain Connector | 5/8-in OD |

OUTDOOR UNIT DIMENSIONS

Units: inch (mm)



| | |
|-------------------|------------------|
| Liquid Line Valve | 1/4-in OD Flared |
| Gas Line Valve | 1/2-in OD Flared |

Notes:

1. Recommended Interconnecting Cable Type Stranded Bare Copper Conductors THHN 600V Wire
2. Power wiring cable size must comply with applicable national and local codes.
3. Test conditions are based on AHRI 210/240.



Specifications are subject to change without notice. Manufacturer reserves the right to discontinue or modify specifications or designs without notice or without incurring obligations. All rights reserved.