



SUBMITTAL DATA: 3VIR24HP230V1AH **24000 BTU/H Wall Mounted**

Job Name	Location	Date
Purchaser	Engineer	
Submitted To	For	
Unit Designation	Schedule No.	

YAP1F7F **3VIR24HP230V1AH** **XE71**



Optional

GENERAL FEATURES

- AHRI Certificate: See Matching or Paired Outdoor Unit AHRI Certificate**
- High Efficiency DC Inverter Technology**
- Compact and Quiet Design**
- Auto-Clean Function**
- Wireless Remote with LCD Display**
- Wired Controller Options**
- Wi-Fi Included (Factory Installed)**
- Low Ambient Cooling Based on Outdoor Unit Performance**
- Low Ambient Heating Based on Outdoor Unit Performance**

Copper Tube / Aluminum Fin Coil (Blue Fin) 500 Hrs Salt Spray Tested

5 Year Limited Compressor & Parts Warranty (Residential Only)

SPECIFICATIONS

3VIR24HP230V1AH

System Type		HEAT PUMP	
SYSTEM PERFORMANCE			
Cooling	Rated Capacity @ 95°F	Btu/h	See Outdoor Unit Submittals -Connected Unit Capacities
	Min-Max Capacity	Btu/h	3400 - 28500
Heating	Rated Capacity @ 47°F	Btu/h	See Outdoor Unit Submittals -Connected Unit Capacities
	Min-Max Capacity	Btu/h	4300 - 33600
SEER / EER		Based on Outdoor Unit Performance	
HSPF / COP		Based on Outdoor Unit Performance	
Energy Star®		Based on Outdoor Unit Performance	
Cooling Temperature Range		°F	Based on Outdoor Unit Performance
Heating Temperature Range		°F	Based on Outdoor Unit Performance
INDOOR UNIT		3VIR24HP230V1AH	
Fan Motor Output Power		W	60
Fan Motor FLA		amps	0.4
Air Flow (Min - Max)		CFM	400 - 824
Sound Pressure Level (Cooling / Heating)		dB(A)	35 - 53
Dehumidification		pt/hr	5.1
Condensate Drain Size (OD)		in	5 / 8
Unit Dimension (WxHxD)		in	42 5/8 X 13 1/8 X 9 3/4
Package Dimension (WxHxD)		in	44 7/16 X 16 X 12 3/4
Weight (Net / Gross)		lbs	35.3 / 42
REFRIGERANT PIPING			
Line Set Size (Liquid - Gas)		in	1/4 - 5/8
ELECTRICAL			
Power Supply (Voltage Operating Range)		Powered by Outdoor Unit	
Rated Current (Cooling / Heating)		amps	7.5 / 14.5
MCA / MOCP		amps	16 / 25
Main Power Wire Size		AWG	Size Per Local Code
Interconnecting Wire Size		AWG	14 / 4
LIMITED WARRANTY		5 Years Residential	

FEATURES & FUNCTIONS SUMMARY

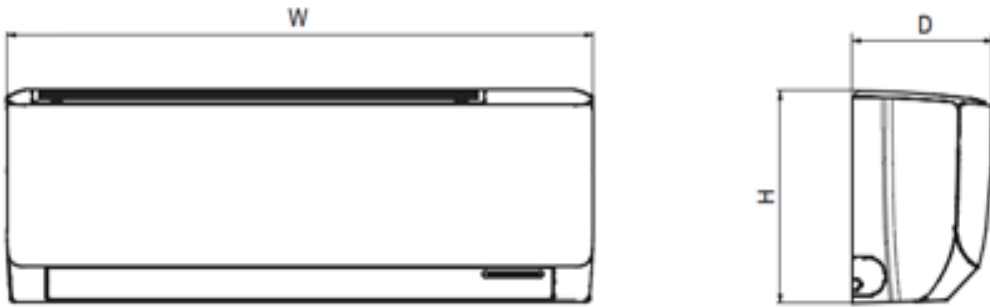
3VIR24HP230V1AH

SYSTEM FEATURES

Wired Controller Interface (XE71 or XK76 optional)	Yes
WiFi Included	Yes
NEW! Easy Service Access	Yes
Indoor Fan Type	Crossflow
Multi Fan Speeds	7 Speeds
Indoor Unit Display	Yes
Auxiliary Electrical Heater	No
Ventilation (Outdoor Air)	No

REMOTE CONTROLLER FUNCTIONS

NEW! Auto Clean	Yes
Auto Mode	Yes
Auto Fan	Yes
Auto Swing (Horizontal Auto Swing)	Yes
Auto Swing - 180° (Vertical Auto Swing)	Yes
Clock	Yes
Dry Mode	Yes
Dry Anti-Mildew (X-Fan) Mode	Yes
Energy Saving Mode	Yes
Dirty Filter Alert	No
Fan Speed Control (7 Speeds)	Yes
I Feel Function	Yes
Privacy Lock	Yes
Quiet Mode	Yes
Room Temperature Display	No
Sleep Mode	Yes
3 Sleep Mode Options	Yes
Timer Mode	Yes
Turbo Mode	Yes
Display On/Off Control	Yes
Freeze Guard Mode	Yes
Power Failure Mode	Yes



Dimensions	
W	32 1/2
D	7 3/4
H	11 1/2
W1	7 1/4
W2	27 7/8
W3	7 1/4

