



SUBMITTAL DATA: 3VIR12HP230V1AH		12000 BTU/H Wall Mounted
Job Name	Location	Date
Purchaser	Engineer	
Submitted To	For	
Unit Designation	Schedule No.	

**YAP1F7F                      3VIR12HP230V1AH                      XE71**



Optional

**GENERAL FEATURES**

- AHRI Certificate: See Matching or Paired Outdoor Unit AHRI Certificate**
- High Efficiency DC Inverter Technology**
- Compact and Quiet Design**
- Auto-Clean Function**
- Wireless Remote with LCD Display**
- Wired Controller Options**
- Wi-Fi Included (Factory Installed)**
- Low Ambient Cooling Based on Outdoor Unit Performance**
- Low Ambient Heating Based on Outdoor Unit Performance**

**Copper Tube / Aluminum Fin Coil (Blue Fin) 500 Hrs Salt Spray Tested**

**5 Year Limited Compressor & Parts Warranty (Residential Only)**

## SPECIFICATIONS

## 3VIR12HP230V1AH

System Type		<b>HEAT PUMP</b>	
<b>SYSTEM PERFORMANCE</b>			
Cooling	Rated Capacity @ 95°F	Btu/h	See Outdoor Unit Submittals -Connected Unit Capacities
	Min-Max Capacity	Btu/h	3071 - 14100
Heating	Rated Capacity @ 47°F	Btu/h	See Outdoor Unit Submittals -Connected Unit Capacities
	Min-Max Capacity	Btu/h	3071 - 15500
SEER / EER		Based on Outdoor Unit Performance	
HSPF / COP		Based on Outdoor Unit Performance	
Energy Star®		Based on Outdoor Unit Performance	
Cooling Temperature Range		°F	Based on Outdoor Unit Performance
Heating Temperature Range		°F	Based on Outdoor Unit Performance
<b>INDOOR UNIT</b>		<b>3VIR12HP230V1AH</b>	
Fan Motor Output Power		W	15
Fan Motor FLA		amps	0.2
Air Flow (Min - Max)		CFM	230 - 400
Sound Pressure Level (Cooling / Heating)		dB(A)	27 - 43
Dehumidification		pt/hr	3
Condensate Drain Size (OD)		in	5 / 8
Unit Dimension (WxHxD)		in	32 1/2 X 11 1/2 X 7 3/4
Package Dimension (WxHxD)		in	34 1/4 X 13 3/4 X 10 1/8
Weight (Net / Gross)		lbs	21 / 25.4
<b>REFRIGERANT PIPING</b>			
Line Set Size (Liquid - Gas)		in	1/4 - 1/2
<b>ELECTRICAL</b>			
Power Supply (Voltage Operating Range)		Powered by Outdoor Unit	
Rated Current (Cooling / Heating)		amps	4 / 7.5
MCA / MOCP		amps	10 / 15
Main Power Wire Size		AWG	Size Per Local Code
Interconnecting Wire Size		AWG	14 / 4
<b>LIMITED WARRANTY</b>		<b>5 Years Residential</b>	

## FEATURES & FUNCTIONS SUMMARY

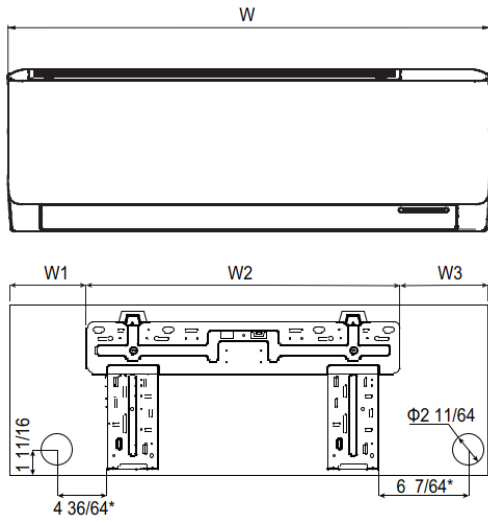
3VIR12HP230V1AH

### SYSTEM FEATURES

Wired Controller Interface (XE71 or XK76 optional)	Yes
WiFi Included	Yes
<b>NEW! Easy Service Access</b>	Yes
Indoor Fan Type	Crossflow
Multi Fan Speeds	7 Speeds
Indoor Unit Display	Yes
Auxiliary Electrical Heater	No
Ventilation (Outdoor Air)	No

### REMOTE CONTROLLER FUNCTIONS

<b>NEW! Auto Clean</b>	Yes
Auto Mode	Yes
Auto Fan	Yes
Auto Swing (Horizontal Auto Swing)	Yes
Auto Swing - 180° (Vertical Auto Swing)	Yes
Clock	Yes
Dry Mode	Yes
Dry Anti-Mildew (X-Fan) Mode	Yes
Energy Saving Mode	Yes
Dirty Filter Alert	No
Fan Speed Control (7 Speeds)	Yes
I Feel Function	Yes
Privacy Lock	Yes
Quiet Mode	Yes
Room Temperature Display	No
Sleep Mode	Yes
3 Sleep Mode Options	Yes
Timer Mode	Yes
Turbo Mode	Yes
Display On/Off Control	Yes
Freeze Guard Mode	Yes
Power Failure Mode	Yes



Dimensions	
W	32 1/2
D	7 3/4
H	11 1/2
W1	4 7/16
W2	21 3/8
W3	6 11/16

