



For Use with GREE Multi Zone OD Units
MULTI18 Thru MULTI42 Standard and ULTRA SERIES
and Super+ MULTI and Super+ MULTI ULTRA SERIES

Submittal Data: SAP24HP230V1AH 24000 BTU/H (208/230V) Wall Mounted Heat Pump System

| | | |
|------------------|--|------|
| Job Name | Location | Date |
| Purchaser | Engineer | |
| Submitted To | For <input type="checkbox"/> Reference <input type="checkbox"/> Approval <input type="checkbox"/> Construction | |
| Unit Designation | Schedule No. | |

- GENERAL FEATURES**
- Multi Speed Fan - 7 Speeds
 - Swing Louvers (Vertical and Horizontal)
 - Compact and Quiet Design
 - Wireless Remote with LCD Display
 - WIFI Enabled
 - Wired Controller (Sold Separately) XE71
 - I Feel Function
 - Blue Fin Condenser Coil
 - 5 year Limited Parts Warranty



System Ratings

| | | | |
|-------------------------|----------------------------------|----------------------------------|--|
| Cooling | | | |
| Rated Capacity | Btu/hr | 22000 | |
| SEER | SEE MATCHED OUTDOOR UNIT RATINGS | | |
| EER | | | |
| Heating at 47° F | | | |
| Rated Capacity | Btu/hr | 24000 | |
| HSPF | SEE MATCHED OUTDOOR UNIT RATINGS | | |
| COP | | | |
| Operating Range | | | |
| Cooling | (Max) | | |
| | (Min) | SEE MATCHED OUTDOOR UNIT RATINGS | |
| Heating | (Max) | | |
| | (Min) | | |

Indoor Unit Data

| | | | |
|---|----------------|-----------------------------|--|
| Fan Motor Type | Cross-Flow | | |
| Output Power | W | 70 | |
| FLA | A | 0.38 | |
| Fan Type | Crossflow | | |
| Air Filter | Polymeric Mesh | | |
| Airflow | | | |
| 7 - Fan Speeds | CFM | 824/765/706/647/588/500/383 | |
| Sound Pressure Level | | | |
| Turbo thru Lo | Clg dB(A) | 54/49/46/43/40/37/34 | |
| | Htg dB(A) | 54/49/46/43/40/37/34 | |
| Dehumidification | | | |
| | Pints/hr | 4.23 | |
| Drain Connection | | | |
| | in | 5/8 | |
| Left or Right Drain Line Connection-Gravity Fed | | | |

Refrigerant Piping Data

| | | | |
|--------------------------------|----------------------------------|-----|--|
| Refrigerant | R410A | | |
| Liquid Pipe Size (OD) Flared | in | 1/4 | |
| Gas Pipe Size (OD) Flared | in | 5/8 | |
| Connection Method | Flared | | |
| Pre-Charge Length | | | |
| MAX Refrigerant Pipe Length | SEE MATCHED OUTDOOR UNIT RATINGS | | |
| MIN Refrigerant Pipe Length | | | |
| MAX Refrigerant Pipe Elevation | | | |

Electrical Data

Power Supply -The indoor unit is powered from the outdoor unit, depending on local code, a disconnect switch may need to be installed to a power supply circuit.

| | | | |
|---|--------------------------|-----------|--|
| Normal Operational Voltage | 208/230V, 1 Ph, 60 Hz | | |
| Voltage Range | V | 187 - 253 | |
| MCA | SEE MATCHED OUTDOOR UNIT | | |
| MOCB/Breaker Size | | | |
| Interconnecting Wire Size | AWG | 14-4 | |
| Stranded Copper Conductors THHN 600V Wire | | | |



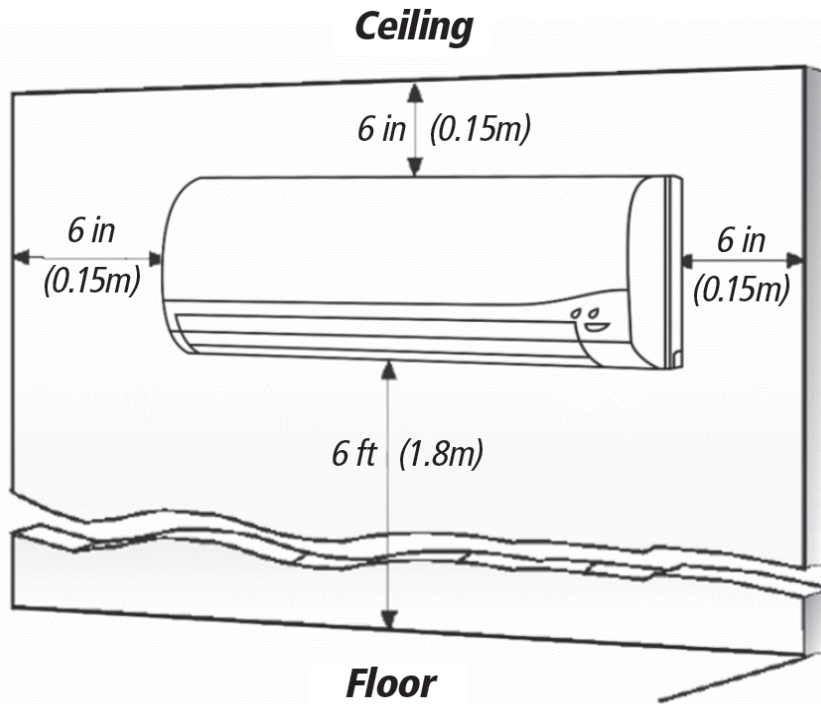
Features & Function Summary**SAPPHIRE SERIES**

| SYSTEM FEATURES | |
|-------------------------------|------------------------------|
| Indoor Fin Coating (Blue) | Acrylic Resin/Anti-Corrosion |
| Intelligent Preheating | YES |
| Low Voltage Startup | YES |
| Memory/Power Failure Recovery | YES |
| Self Diagnosis | YES |
| Wired Controller Interface | YES |
| WIFI Interface Capable | YES |
| Indoor Fan Type | Crossflow |
| Multi Fan Speeds | 7 Speeds |
| Indoor Unit Display | YES |
| Advance Filter | Optional (see Filter Kits) |
| Auxiliary Electrical Heater | NO |
| Ventilation (Outdoor Air) | NO |

| REMOTE CONTROLLER FUNCTIONS | |
|--|-----|
| Auto Mode | YES |
| Auto Fan | YES |
| Auto Swing (Horizontal Auto Swing) | YES |
| Auto Swing - 180°(Vertical Auto Swing) | YES |
| Clock on Remote Controller | YES |
| Dry Mode | YES |
| Dry Anti-Mildew (X-Fan) Mode | YES |
| Energy Saving Mode | NO |
| Dirty Filter Alert | NO |
| Fan Speed Control (7 speeds) | YES |
| I Feel Function | YES |
| Privacy Lock on Remote Controller | YES |
| Quiet Mode | YES |
| Room Temperature Display | NO |
| Sleep Mode | YES |
| 4 Sleep Modes Options | YES |
| Timer Mode | YES |
| Turbo Mode | YES |
| Display On/Off Control | YES |
| Freeze Guard Mode | NO |
| Display On/Off Control | YES |
| Freeze Guard Mode | YES |
| Power Failure Mode | YES |

MINIMUM SPACING REQUIREMENTS

INDOOR

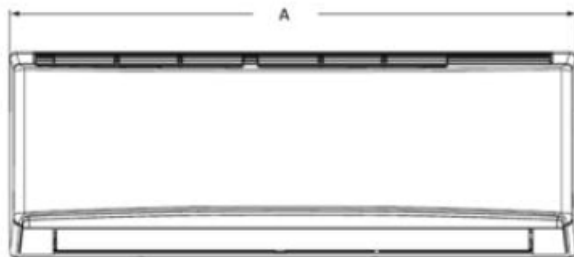


DIMENSIONAL SPECIFICATIONS

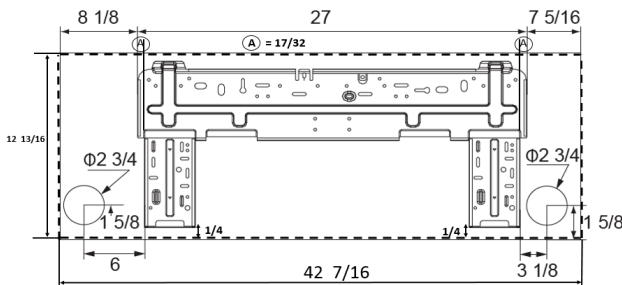
INDOOR UNIT DIMENSIONS

Model No: SAP24HP230V1AH

Units: inch



| Dimensions | |
|------------|--------|
| A | 44 1/4 |
| B | 13 |
| C | 9 3/4 |



Weight (Net/Gross) 36 / 43 LBS

| | |
|-------------------|------------------|
| Liquid Line Valve | 1/4-in OD Flared |
| Gas Line Valve | 5/8-in OD Flared |
| Drain Connector | 5/8-in OD |

Notes:

1. Recommended Interconnecting Cable Type 14 AWG 4 Stranded Copper Conductors THHN 600V Wire