



SUBMITTAL DATA: FLR18HP230V1BF

18000 BTU/H Floor/Ceiling

Job Name	Location	Date
Purchaser	Engineer	
Submitted To	For	
Unit Designation	Schedule No.	

YT1F

FLR018HP230V1BF

XK19



(Optional)

GENERAL FEATURES

AHRI Certificate: See Matching or Paired Outdoor Unit AHRI Certificate

Quiet Operation and Multi-Speed Fan

Floor Stand or Ceiling Mount

Multi-Directional Air Flow

Wireless Remote with LCD Display Included

XK19 Wired Controller Included

Low Ambient Cooling Based on Outdoor Unit Performance

Low Ambient Heating Based on Outdoor Unit Performance

Copper Tube / Aluminum Fin Coil (Blue Fin) 500 Hrs Salt Spray Tested

5 Year Limited Compressor & Parts Warranty (Residential Only)

SPECIFICATIONS

FLR18HP230V1BF

System Type

HEAT PUMP

SYSTEM PERFORMANCE

Cooling	Rated Capacity @ 95°F	Btu/h	See Outdoor Unit Submittals -Connected Unit Capacities
	Min-Max Capacity	Btu/h	5100 - 21154
Heating	Rated Capacity @ 47°F	Btu/h	See Outdoor Unit Submittals -Connected Unit Capacities
	Rated Capacity @ 17°F	Btu/h	12700
	Min-Max Capacity	Btu/h	5800 - 21495

SEER / EER Based on Outdoor Unit Performance

HSPF / COP Based on Outdoor Unit Performance

Energy Star® Based on Outdoor Unit Performance

Cooling Temperature Range °F Based on Outdoor Unit Performance

Heating Temperature Range °F Based on Outdoor Unit Performance

INDOOR UNIT FLR18HP230V1BF

Fan Motor Output Power	W	15
Fan Motor FLA	amps	0.9
Air Flow (Min - Max)	CFM	241 - 400
Sound Pressure Level (Cooling / Heating)	dB(A)	27 - 38
Dehumidification	pt/hr	3.8
Condensate Drain Size (OD)	in	11/16
Unit Dimension (WxHxD)	in	34 1/4 X 26 1/4 X 9 1/4
Package Dimension (WxHxD)	in	40 1/2 X 30 1/4 X 11 1/4
Weight (Net / Gross)	lbs	66.3 / 67.3

REFRIGERANT PIPING

Line Set Size (Liquid - Gas) in 1/4 - 5/8

ELECTRICAL

Power Supply (Voltage Operating Range) Powered by Outdoor Unit

Rated Current (Cooling / Heating) amps 6 / 12

MCA / MOCP amps 15 / 20

Main Power Wire Size AWG Size Per Local Code

Interconnecting Wire Size AWG 14 / 4

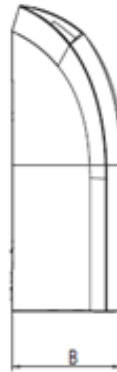
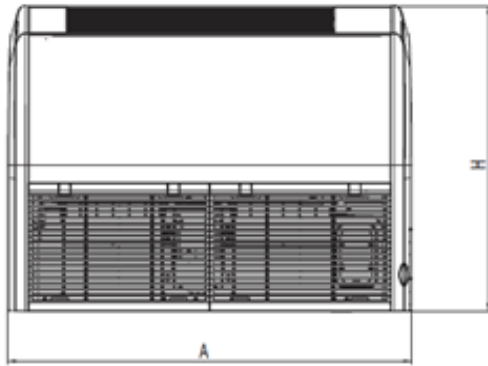
LIMITED WARRANTY

FEATURES & FUNCTIONS SUMMARY**FLR18HP230V1BF****SYSTEM FEATURES**

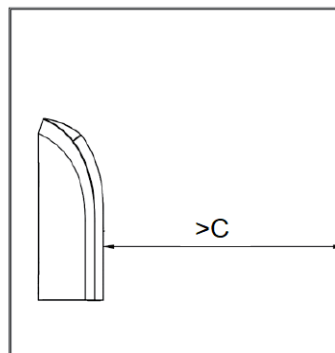
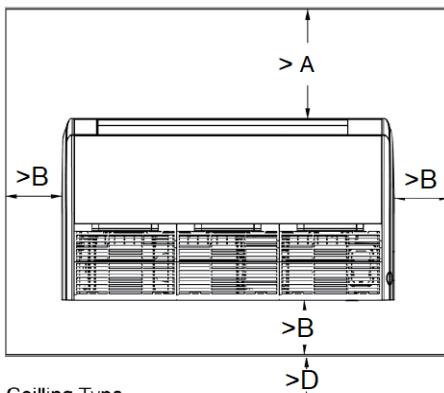
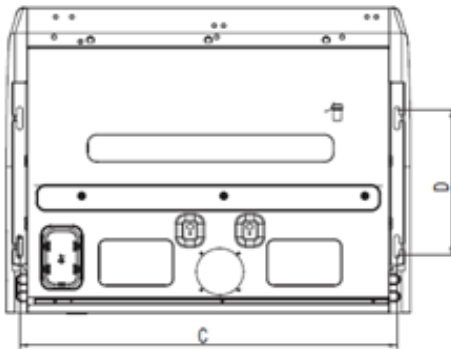
Wired Controller Interface	Yes
WiFi Included	No
Indoor Fan Type	Centrifugal
Multi Fan Speeds	4 Speeds
Indoor Unit Display	Yes
Auxiliary Electrical Heater	No
Ventilation (Outdoor Air)	No

REMOTE CONTROLLER FUNCTIONS

Auto Mode	Yes
Auto Fan	Yes
Auto Swing - (Horizontal Auto Swing)	No
Auto Swing - (Vertical Auto Swing)	Yes
Clock	Yes
Dry Mode	Yes
Dry Anti-Mildew (X-Fan) Mode	Yes
Energy Saving Mode	Yes
Dirty Filter Alert	No
Fan Speed Control (4 Speeds)	Yes
I Feel Function	Yes
Privacy Lock	Yes
Quiet Mode	Yes
Room Temperature Display	No
Sleep Mode (Normal Sleep)	Yes
4 Sleep Mode Options	No
Timer Mode	Yes
Turbo Mode	Yes
Display On/Off Control	Yes
Freeze Guard Mode	Yes
Power Failure Mode	Yes



Dimensions	
A	34 1/4
B	9 1/4
C	32
D	12 1/2
H	26 1/4



Dimensions	
A	60
B	12
C	39
D	6
E	90

Ceiling Type

