



SUBMITTAL DATA: FLR09HP230V1BF		9000 BTU/H Floor/Ceiling
Job Name	Location	Date
Purchaser	Engineer	
Submitted To	For	
Unit Designation	Schedule No.	

YT1F	FLR09HP230V1BF	XK19
-------------	-----------------------	-------------



GENERAL FEATURES

AHRI Certificate: See Matching or Paired Outdoor Unit AHRI Certificate

Quiet Operation and Multi-Speed Fan

Floor Stand or Ceiling Mount

Multi-Directional Air Flow

Wireless Remote with LCD Display Included

XK19 Wired Controller Included

Low Ambient Cooling Based on Outdoor Unit Performance

Low Ambient Heating Based on Outdoor Unit Performance

Copper Tube / Aluminum Fin Coil (Blue Fin) 500 Hrs Salt Spray Tested

5 Year Limited Compressor & Parts Warranty (Residential Only)

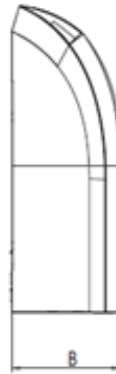
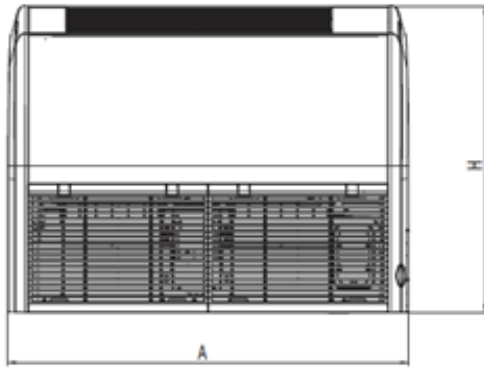
SPECIFICATIONS		FLR09HP230V1BF	
System Type		HEAT PUMP	
SYSTEM PERFORMANCE			
Cooling	Rated Capacity @ 95°F	Btu/h	See Outdoor Unit Submittals -Connected Unit Capacities
	Min-Max Capacity	Btu/h	2450 - 13300
Heating	Rated Capacity @ 47°F	Btu/h	See Outdoor Unit Submittals -Connected Unit Capacities
	Min-Max Capacity	Btu/h	2590 - 13300
SEER / EER		Based on Outdoor Unit Performance	
HSPF / COP		Based on Outdoor Unit Performance	
Energy Star®		Based on Outdoor Unit Performance	
Cooling Temperature Range		°F	Based on Outdoor Unit Performance
Heating Temperature Range		°F	Based on Outdoor Unit Performance
INDOOR UNIT		FLR09HP230V1BF	
Fan Motor Output Power		W	15
Fan Motor FLA		amps	0.9
Air Flow (Min - Max)		CFM	257 - 412
Sound Pressure Level (Cooling / Heating)		dB(A)	26 - 38
Dehumidification		pt/hr	1.7
Condensate Drain Size (OD)		in	11/16
Unit Dimension (WxHxD)		in	34 1/4 X 26 1/4 X 9 1/4
Package Dimension (WxHxD)		in	40 1/2 X 30 1/4 X 11 1/4
Weight (Net / Gross)		lbs	55 / 66.2
REFRIGERANT PIPING			
Line Set Size (Liquid - Gas)		in	1/4 - 3/8
ELECTRICAL			
Power Supply (Voltage Operating Range)		Powered by Outdoor Unit	
Rated Current (Cooling / Heating)		amps	3 / 7.2
MCA / MOCP		amps	9 / 15
Main Power Wire Size		AWG	Size Per Local Code
Interconnecting Wire Size		AWG	14 / 4
LIMITED WARRANTY		5 Years Residential	

FEATURES & FUNCTIONS SUMMARY**FLR09HP230V1BF****SYSTEM FEATURES**

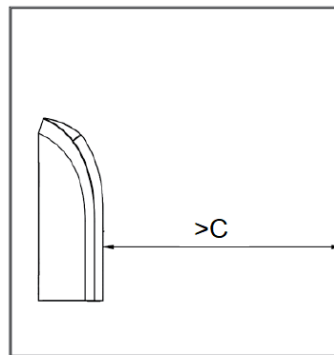
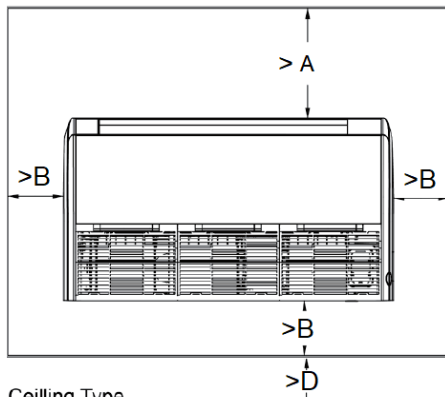
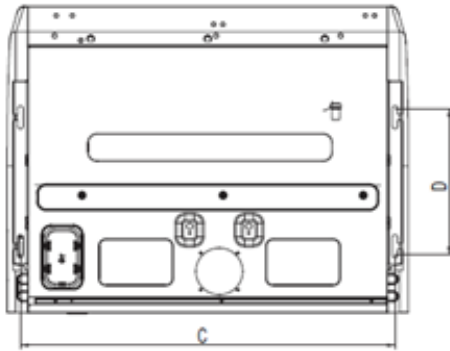
Remote Controller	Yes
Wired Controller	Yes
WiFi Included	No
Indoor Fan Type	Centrifugal
Multi Fan Speeds	4 Speeds
Indoor Unit Display	Yes
Auxiliary Electrical Heater	No
Ventilation (Outdoor Air)	No

REMOTE CONTROLLER FUNCTIONS

Auto Mode	Yes
Auto Fan	Yes
Auto Swing - (Horizontal Auto Swing)	No
Auto Swing - (Vertical Auto Swing)	Yes
Clock	Yes
Dry Mode	Yes
Dry Anti-Mildew (X-Fan) Mode	Yes
Energy Saving Mode	Yes
Dirty Filter Alert	No
Fan Speed Control (4 Speeds)	Yes
I Feel Function	Yes
Privacy Lock	Yes
Quiet Mode	Yes
Room Temperature Display	No
Sleep Mode (Normal Sleep)	Yes
4 Sleep Mode Options	No
Timer Mode	Yes
Turbo Mode	Yes
Display On/Off Control	Yes
Freeze Guard Mode	Yes
Power Failure Mode	Yes



Dimensions	
A	34 1/4
B	9 1/4
C	32
D	12 1/2
H	26 1/4



Dimensions	
A	60
B	12
C	39
D	6
E	90

Ceiling Type

