





SUBMITTAL DATA

SAP09HP230V1R32AH / SAP09HP230V1R32AO
9000 BTU/H Wall Mounted Heat Pump System

Job Name	Location	Date
Purchaser	Engineer	
Submitted to	For	
Unit Designation	Schedule No.	

			
YBE1FB9F	SAP09HP230V1R32AH	SAP09HP230V1R32AO	XE71 (Optional)

GENERAL FEATURES

- AHRI Certificate: [214802444](#)
- New R32 Refrigerant
- High Efficiency DC Inverter Technology
- Elegant and Quiet Design
- Auto-Clean Function on Indoor Unit
- Wireless Remote with LCD Display
- Wired Controller Options
- Wi-Fi Included (Factory Installed)
- Low Ambient Cooling down to -20°F (Range -20°F to 122°F)
- Low Ambient Heating down to -22°F (Range -22°F to 86°F)
- Coil (Outdoor) Copper Tube/Aluminum Fin with Anti-Corrosion Coil Coating (Gold Colored Fin - 1500Hr Salt Spray Rating)
- Coil (Indoor) Copper Tube/Aluminum Fin with Anti-Corrosion Coil Coating (Blue Colored Fin - 500Hr Salt Spray Rating)

SPECIFICATIONS, FEATURES & FUNCTION SUMMARY

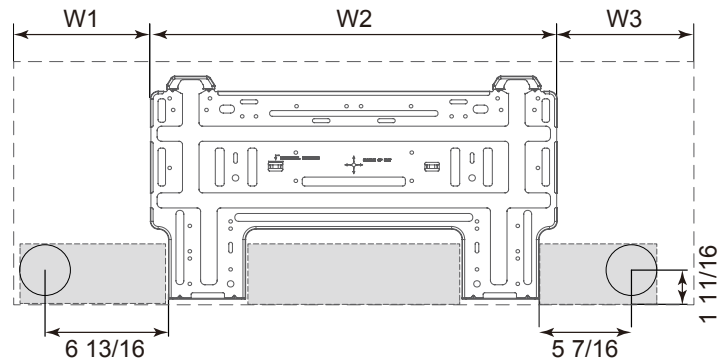
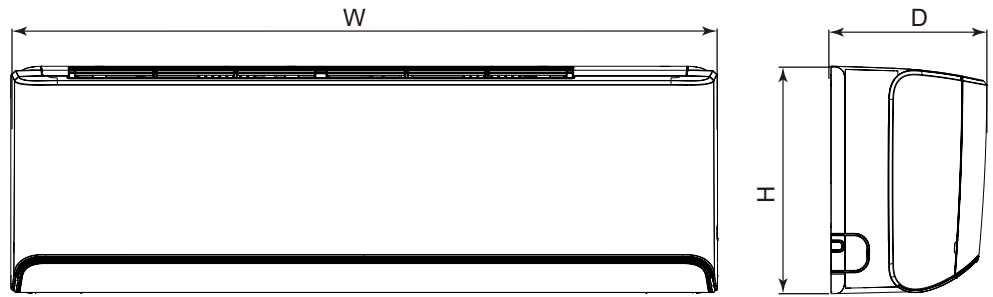
SPECIFICATIONS		SAP09HP230V1R32AH / SAP09HP230V1R32AO		FEATURES & FUNCTIONS SUMMARY		SAP09HP230V1R32AH / SAP09HP230V1R32AO	
System Type		HEAT PUMP					
SYSTEM PERFORMANCE				SYSTEM FEATURES			
Cooling	Min - Max	Btu/h	1365 - 12966		Inverter Type	G10	
	Capacity @95°F	Btu/h	9100		Ultra Low Frequency Torque Control	Yes	
Heating	Min - Max	Btu/h	2730 - 17060		Power Factor Correction	Yes	
	Rated Capacity @95°F	Btu/h	10600		Compressor Type	High Efficiency Two Stage Rotary	
	Rated Capacity @17°F	Btu/h			Basepan With Electric Heater	Yes	
	Rated Capacity Max @5°F	Btu/h			Compressor With Electric Heater	Yes	
SEER2			30.0		Indoor & Outdoor Fin Coating	Acrylic Resin/Anti-Corrosion	
EER2			16.8		Intelligent Defrosting	Yes	
HSPF2			11.2		Intelligent Preheating	Yes	
COP @5°F					Low Voltage Startup	Yes	
COP @47°F			4.4		Memory/Power Failure Recovery	Yes	
Cooling Temperature Range		°F	-20 - 122		Self Diagnosis	Yes	
Heating Temperature Range		°F	-22 - 86		Wired Controller Interface	No	
Refrigerant Type			R32		WiFi Included	Yes	
INDOOR UNIT		SAP09HP230V1R32AH					
Air flow (Min-Max)	CFM	265 - 506		Indoor Fan Type	Crossflow		
Sound Pressure Level (Min - Max)	dB(A)	23 - 42		Multi Fan Speeds	7 Speeds		
Dehumidification	pt/hr	1.69		Indoor Unit Display	Yes		
External Dimensions (WxHxD)	in	38-3/16 × 13-21/32 × 10-1/8		Auxiliary Electrical Heater	No		
Package Dimension (W x H x D)	in	40-7/16 × 13-11/32 × 16-1/2		Ventilation (Outdoor Air)	No		
Net Weight	lbs	33.1		REMOTE CONTROLLER FUNCTIONS			
Gross Weight	lbs	38.6		Auto Mode	Yes		
OUTDOOR UNIT		SAP09HP230V1R32AO					
Sound Pressure Level	dB(A)	56		Auto Fan	Yes		
External Dimensions (W x H x D)	in	34-3/8 × 21-27/32 × 14-51/64		Auto Swing (Horizontal Auto Swing)	Yes		
Package Dimension (W x H x D)	in	37-7/16 × 24-13/32 × 16-31/32		Auto Swing (Vertical Auto Swing)	Yes		
Net Weight	lbs	78.3		Clock on Remote Controller	Yes		
Gross Weight	lbs	84.9		Dry Mode	Yes		
REFRIGERANT PIPING							
Refrigerant Charge	oz	35.3		Dry Anti-Mildew (X-Fan) Mode	Yes		
Additional Charge	oz/ft	0.2		Energy Saving Mode	No		
Line Set Size (Liquid - Gas) - Flared Connections	in	1/4 - 1/2		Dirty Filter Alert	No		
Pre-Charge Length	ft	25		I Feel Function	Yes		
Pipe Length (Min - Max)	ft	10 - 131		Lock on Remote Controller	Yes		
Max. Pipe Elevation	ft	82		Quiet Mode	Yes		
ELECTRICAL							
Power Supply	208-230V / 1Ph / 60Hz (Powered by the Outdoor Unit)				Room Temperature Display	No	
Voltage Range (Min - Max)	VAC	187 - 253		Sleep Mode	Yes		
Rated Current - Cooling	A	5.9		4 Sleep Mode Options	Yes		
Rated Current - Heating	A	7.6		Timer Mode	Yes		
MCA	A	11		Turbo Mode	Yes		
MOCP	A	15		Display On/Off Control	Yes		
Suggested Breaker Size	A	15		Freeze Guard Mode	No		
Main Power Wire Size	AWG	Per Local Code		Humidity Control	Yes		
Interconnecting Wire Size	AWG	14 / 4					

DIMENSIONS

INDOOR UNIT

Unit: inch

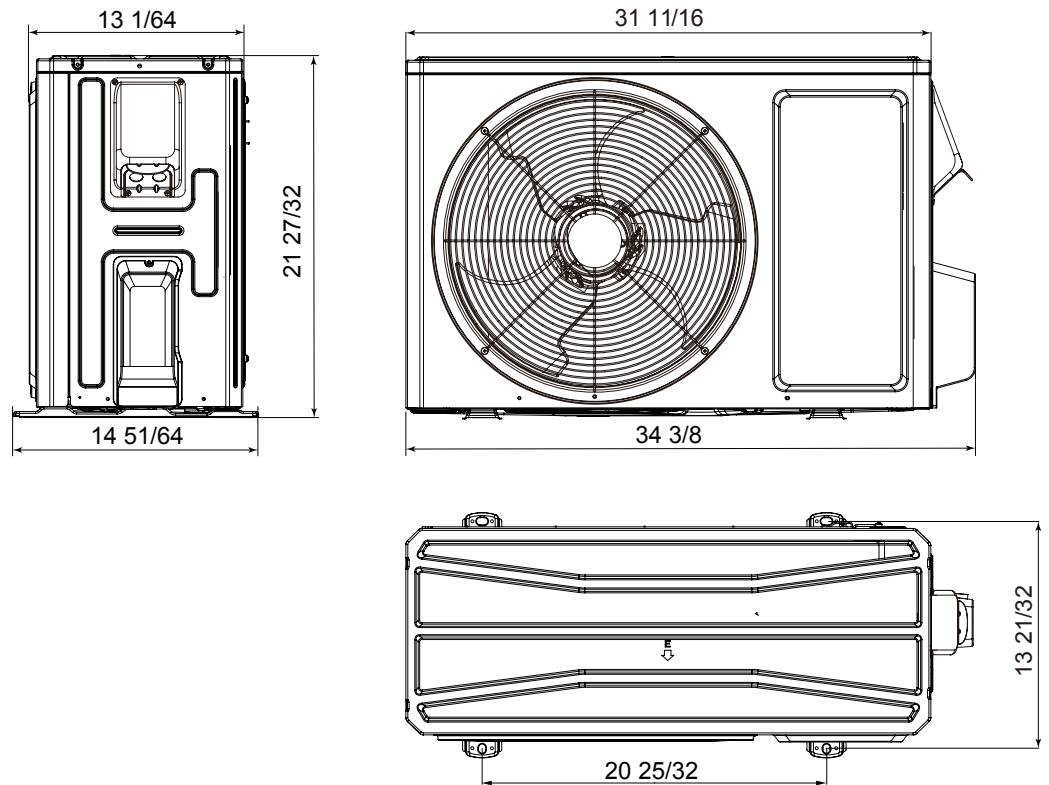
SAP09HP230V1R32AH	
DIMENSIONS	
W	38 3/16
H	13 21/32
D	10 1/8
W1	8 5/64
W2	22 7/64
W3	8



OUTDOOR UNIT

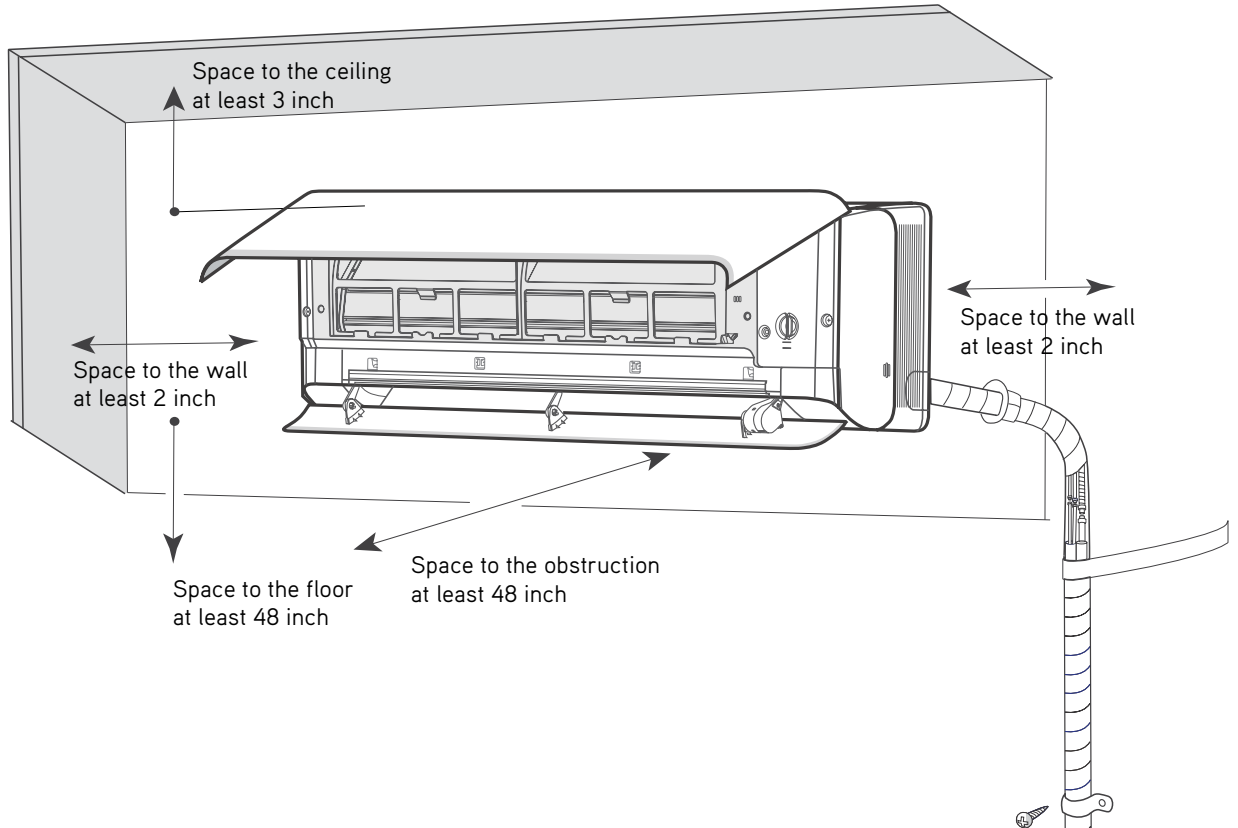
Unit: inch

SAP09HP230V1R32AO	
-------------------	--

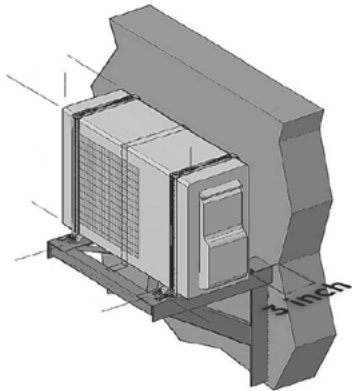


CLEARANCES

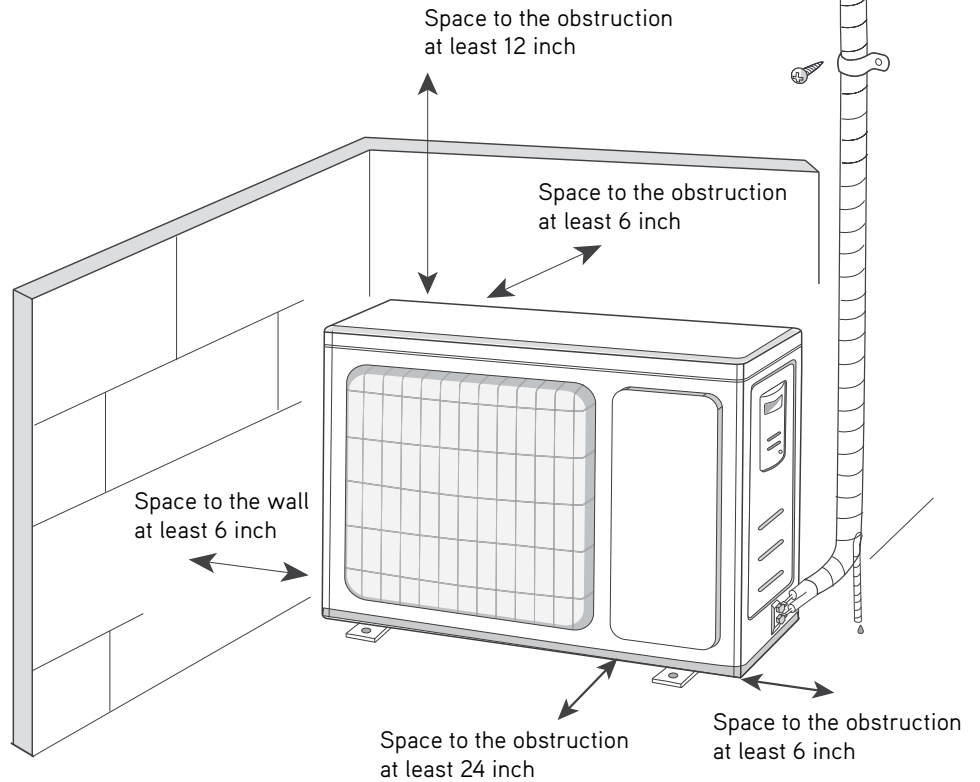
INDOOR UNIT Minimum clearance



OUTDOOR UNIT Minimum clearance



NOTE:
If bottom of the unit is free of airflow obstructions similar to the mounting bracket figure, the clearance to the wall on the back can be reduced to 3 inches.



Specifications are subject to change without notice. Manufacturer reserves the right to discontinue or modify specifications or designs without notice or without incurring obligations. All Rights reserved.