



PTAC2 - COOLING w/ Electric Heat Version



Submittal Data:
PTAC2 With Universal Heater - 7,000 to 15,000 Cooling w/ Electric Heating Models (Power Cord Required) **208/230 & 265 Voltage**

Job Name	Location	Date
Purchaser	Engineer	Phone
Submitted To	For <input type="checkbox"/> Reference <input type="checkbox"/> Approval <input type="checkbox"/>	<input type="checkbox"/> New Construction <input type="checkbox"/> Renovation Project
Unit Designation	Schedule No.	

- GENERAL FEATURES**
- Industry Standard Size 42" x 16" - Designed to easily install in most standard wall sleeve (Contractor must verify)
 - Condenser Coils are coated with a corrosion resistant epoxy resin providing enhanced resistance to acidic and salt air conditions.
 - Electronic Touch Pad - IR Remote Control (Optional) - Dry Mode
 - Wired, Wireless Wall Thermostat & Energy Management System Interface - New R32 Refrigerant
 - LCDI Power Cord (208/230V Only)
 - Condensate Slinger Ring Disposal
 - Separate Multi-Speed Indoor & Outdoor Fan Motors
 - Industry's Longest Standard Warranty, 5 Year Limited Warranty (See Product Catalog For Details)



B5 panel (Beige)



B6 panel (White)

Performance Specification

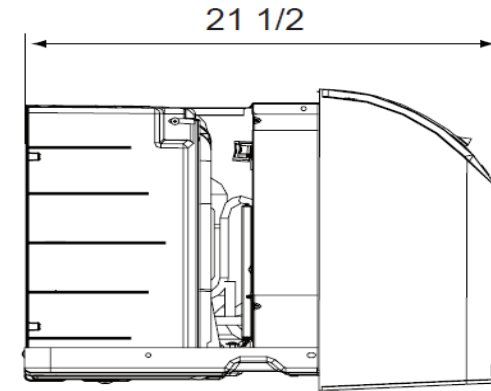
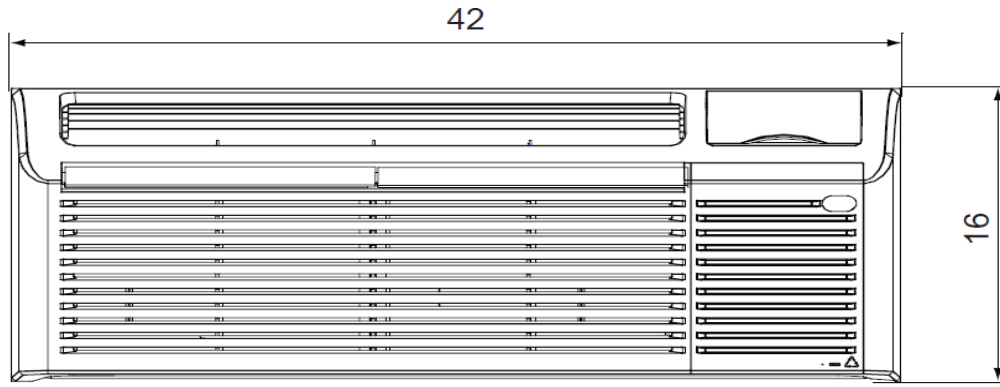
Model Number	Capacity (BTU/H)		Dehumi - dification (Pints/Hr)	Energy Efficiency Ratio (EER)	COP	Sensible Heat Factor	Indoor Fan CFM (Hi / Low)			
	Cooling	Heating						Universal Electric Heating		
								2.45 KW	3.45 KW	5.0 KW
208/230 Volt										
<i>*Capacity at 230V if Dual Voltage</i>										
GAE07AED6NRN**DCP	7,200/7,400*	-	6,200/7,600*	8,700/10,700*	-	1.69	13.3	-	86%	312/282
GAE09AED6NRN**DCP	9,900/10,200*	-	6,200/7,600*	8,700/10,700*	-	2.11	12.5	-	85%	329/294
GAE12AED6NRN**DCP	12,100/12,300*	-	6,200/7,600*	8,700/10,700*	12,600/15,500*	2.75	11.6	-	75%	341/306
GAE15AED6NRN**DCP	14,300/14,700*	-	6,200/7,600*	8,700/10,700*	12,600/15,500*	3.17	10.4	-	67%	341/306
265 Volt										
GAE07AEP6NRN**DCP	7,500	-	7,600	10,700	-	1.69	13.0	-	86%	312/282
GAE09AEP6NRN**DCP	10,000	-	7,600	10,700	-	2.11	12.1	-	85%	329/294
GAE12AEP6NRN**DCP	12,300	-	7,600	10,700	15,500	2.75	11.6	-	75%	341/306
GAE18AEP6NRN**DCP	14,800	-	7,600	10,700	15,500	3.17	10.4	-	67%	341/306

Electrical Specification

Model Number	Voltage Range	Input Power (Watts)					Current (Amps)					Max Fuse Size (Amps) (Based on Power Cord Selection)
		Cooling	Heating	Universal Electric Heating			Cooling	Heating	Universal Electric Heating			
				2.45 KW	3.45 KW	5.0 KW			2.45 KW	3.45 KW	5.0 KW	
208/230 Volt												
GAE07AED6NRN**DCP	187-253	560/570	-	2,010/2450	2,830/3450	-	2.6/2.4	-	9.7/10.7	13.6/15.0	-	15, 20
GAE09AED6NRN**DCP	187-253	780/800	-	2,010/2450	2,830/3450	-	3.9/3.6	-	9.7/10.7	13.6/15.0	-	15, 20
GAE12AED6NRN**DCP	187-253	1,000/1,040	-	2,010/2450	2,830/3450	4,090/5000	4.9/4.6	-	9.7/10.7	13.6/15.0	19.7/21.8	15, 20, 30
GAE15AED6NRN**DCP	187-253	1,360/1,400	-	2,010/2450	2,830/3450	4,090/5000	6.5/6.0	-	9.7/10.7	13.6/15.0	19.7/21.8	15, 20, 30
265 Volt												
GAE07AEP6NRN**DCP	239-292	560	-	2,450	3,450	-	2.1	-	9.3	13.1	-	15, 20
GAE09AEP6NRN**DCP	239-292	810	-	2,450	3,450	-	3.1	-	9.3	13.1	-	15, 20
GAE12AEP6NRN**DCP	239-292	1,030	-	2,450	3,450	5,000	4.0	-	9.3	13.1	18.9	15, 20, 30
GAE18AEP6NRN**DCP	239-292	1,390	-	2,450	3,450	5,000	5.3	-	9.3	13.1	18.9	15, 20, 30

** B5 = Beige Panel
 B6 = White Panel

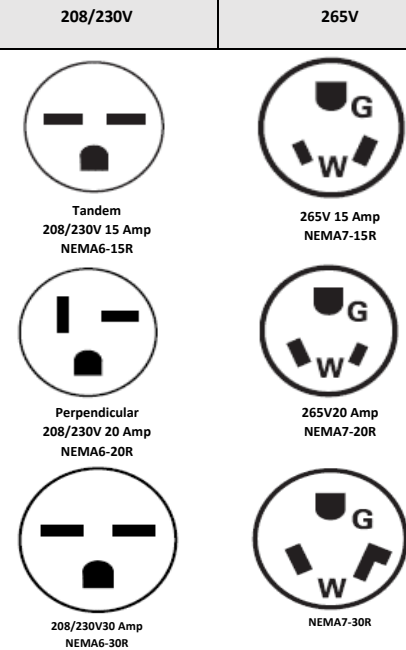
Dimensional Specifications



Universal Power Cord Selection

Model Number	Voltage	Breaker Size	Electric Heater KW	Minimum Circuit Ampacity	Receptacles Type	NEMA Number
E2CORD-230V15A	208/203	15	2.45	14	Tandem	6-15P
E2CORD-230V20A	208/203	20	3.45	19	Perpendicular	6-20P
E2CORD-230V30A	208/203	30	5.0	28	Large Tandem	6-30P
E2CORD-265V15A	265	15	2.45	12	265V 15 Amp	7-15P
E2CORD-265V20A	265	20	3.45	17	265V 20 Amp	7-20P
E2CORD-265V30A	265	30	5.0	24	265V 30 Amp	7-30P

Receptacle Configuration



Accessories

PTAC-SLEEVE-SE-INS	Standard Sleeve Metal Insulated (42"W x 13-3/4"D x 16"H)
WALL-SLEEVE-1PK	Standard Wall Sleeve Polymer Non-Insulated (42"W x 13-3/4"D x 16"H)
SLEEVE-INSUL-1PK	Standard Wall Sleeve Polymer Insulated (42"W x 14-3/4"D x 16"H)
PTAC-SUBBASE-A	Non-Electrical Subbase [Electrical Components Available]
GRILLE-ALU-CLEAR	Aluminum Architectural Louvered Grille - Clear [Additional Colors Available]
GRILLE-PLA-ALPIN	Polymer Architectural Louvered Grille - Alpine Beige (matches wall sleeve) [Additional Colors Available]
GRILLE-ALU-STAMP	Stamped Aluminum Grille - Clear
DRAIN-KIT-1PK	Internal & External Condensate Drain Kits
TP-N-631W	Wireless Wall Thermostats 2 Fan Speed (Non-Programmable)
TP-N-631	Wired Wall Thermostats 2 Fan Speed (Non-Programmable)

Please refer to PTAC2 accessory catalog for complete line of accessories



Specifications are subject to change. Manufacturer reserves the right to discontinue or modify specification or design without notice or without incurring obligation. All rights reserved.