

SUBMITTAL DATA

MUL36HP230V1R32AO
36000 BTU/H Multi-Zone Heat Pump System

Job Name	Location	Date
Purchaser	Engineer	
Submitted to	For	
Unit Designation	Schedule No.	



MUL36HP230V1R32AO

GENERAL FEATURES

- AHRI Certificate: 215218916 (Non-Ducted)
215218921 (Ducted)
215218926 (Mixed)
- High Efficiency DC Inverter Technology
- Compact and Quiet Design
- Auto Restart on Power Outages
- Multi-point Diagnostics
- Wi-Fi Included (Factory Installed)
- Low Ambient Cooling down to -22°F (Range -22°F to 118°F)
- Low Ambient Heating down to -22°F (Range -22°F to 75°F)
- Coil (Indoor and Outdoor) Copper Tube / Aluminum Fin
- Blue Colored Fin - 500 Hrs Salt Spray Tested

MULTI-ZONE COMPATIBILITY CHART

WALL MOUNT OPTIONS

	MULTI-ZONE				
	MUL18HP230VIR32AO	MUL24HP230VIR32AO	MUL30HP230VIR32AO	MUL36HP230VIR32AO	MUL42HP230VIR32AO
LIVO					
System Model no.					
LIV05HP230VIR32AH	•	•	•	•	•
LIV07HP230VIR32AH	•	•	•	•	•
LIV09HP230VIR32AH	•	•	•	•	•
LIV12HP230VIR32AH	•	•	•	•	•
LIV18HP230VIR32AH		•	•	•	•
LIV24HP230VIR32AH			•	•	•
LIV30HP230VIR32AH					
LIV36HP230VIR32AH					
VIREO					
System Model no.					
VIR09HP230VIR32AH	•	•	•	•	•
VIR12HP230VIR32AH	•	•	•	•	•
VIR18HP230VIR32AH		•	•	•	•
VIR24HP230VIR32AH			•	•	•
ENVO					
System Model no.					
ENV09HP230VIR32AH	•	•	•	•	•
ENV12HP230VIR32AH	•	•	•	•	•
ENV18HP230VIR32AH		•	•	•	•
ENV24HP230VIR32AH			•	•	•
SAPPHIRE					
System Model no.					
SAP09HP230VIR32AH	•	•	•	•	•
SAP12HP230VIR32AH	•	•	•	•	•
SAP18HP230VIR32AH		•	•	•	•
SAP24HP230VIR32AH			•	•	•

ADDITIONAL INDOOR UNIT OPTIONS

	MULTI-ZONE				
	MUL18HP230VIR32AO	MUL24HP230VIR32AO	MUL30HP230VIR32AO	MUL36HP230VIR32AO	MUL42HP230VIR32AO
ONE WAY CASSETTE					
System Model no.					
OWC09HP230VIR32AH	•	•	•	•	•
OWC12HP230VIR32AH	•	•	•	•	•
OWC18HP230VIR32AH		•	•	•	•
OWC24HP230VIR32AH			•	•	•
CEILING CASSETTE					
System Model no.					
CAS09HP230VIR32AH	•	•	•	•	•
CAS12HP230VIR32AH	•	•	•	•	•
CAS18HP230VIR32AH		•	•	•	•
CAS24HP230VIR32AH			•	•	•
SLIM DUCT					
System Model no.					
DUC09HP230VIR32AH	•	•	•	•	•
DUC12HP230VIR32AH	•	•	•	•	•
DUC18HP230VIR32AH		•	•	•	•
DUC24HP230VIR32AH			•	•	•
FLOOR/CEILING					
System Model no.					
FLR09HP230VIR32AH	•	•	•	•	•
FLR12HP230VIR32AH	•	•	•	•	•
FLR18HP230VIR32AH		•	•	•	•
FLR24HP230VIR32AH			•	•	•
MINI-CONSOLE					
System Model no.					
CON09HP230VIR32AH	•	•	•	•	•
CON12HP230VIR32AH	•	•	•	•	•
CON18HP230VIR32AH		•	•	•	•

NOTE: R32 Indoor units are only compatible with R32 Outdoor units. Keep in mind, line set is always sized by the indoor unit valve diameter.

SPECIFICATIONS, FEATURES & FUNCTION SUMMARY

SPECIFICATIONS		MUL36HP230V1R32AO	
System Type	HEAT PUMP		
Number of Zones	2 - 4		
SYSTEM PERFORMANCE		NON-DUCTED INDOOR UNITS	
Cooling	Min - Max	Btu/h	8,870 - 40,900
	Capacity @95°F	Btu/h	36,000
Heating	Min - Max	Btu/h	8,870 - 44,300
	Capacity @47°F	Btu/h	36,000
	Capacity @17°F	Btu/h	36,000
	Capacity Max @5°F	Btu/h	36,000
SEER2	21		
EER2	12.0		
HSPF2	10.0		
COP @5°F	2.1		
COP @47°F	3.56		
SYSTEM PERFORMANCE		DUCTED INDOOR UNITS	
Cooling	Min - Max	Btu/h	8,870 - 40,900
	Capacity @95°F	Btu/h	36,000
Heating	Min - Max	Btu/h	8,870 - 44,300
	Capacity @47°F	Btu/h	36,000
	Capacity @17°F	Btu/h	36,000
	Capacity Max @5°F	Btu/h	33,000
SEER2	18.0		
EER2	11.7		
HSPF2	8.0		
COP @5°F	1.9		
SYSTEM PERFORMANCE		MIXED DUCTED AND NON-DUCTED INDOOR UNITS	
Cooling	Min - Max	Btu/h	8,870 - 40,900
	Capacity @95°F	Btu/h	36,000
Heating	Min - Max	Btu/h	8,870 - 44,300
	Capacity @47°F	Btu/h	36,000
	Capacity @17°F	Btu/h	36,000
	Capacity Max @5°F	Btu/h	34,000
SEER2	19.0		
EER2	11.8		
HSPF2	9.0		
COP @5°F	1.8		
OUTDOOR UNIT		MUL36HP230V1R32AO	
Cooling Temperature Range	°F	-22 - 118	
Heating Temperature Range	°F	-22 - 75	
Refrigerant Type	R32		
Compressor Type	GREE G-10 / 2 - STAGE INVERTER		
Sound Pressure Level	dB(A)	63	
External Dimensions (W x H x D)	in	40-10/64 x 32-33/64 x 16-52/64	
Package Dimension (W x H x D)	in	43-1/32 x 34-27/32 x 19-9/16	
Net Weight	lbs	176.4	
Gross Weight	lbs	189.6	

REFRIGERANT PIPING		
Refrigerant Charge - R410A	oz	95.24
Additional Charge	oz/ft	0.2
Port Size (Liquid - Gas)	port A (in)	1/4 - 3/8
	port B (in)	1/4 - 3/8
	port C (in)	1/4 - 3/8
	port D (in)	1/4 - 3/8
	port E (in)	1/4 - 3/8
Pre-Charge Length	ft	131
Pipe Length (Min - Max)	ft	10 - 263
Pipe Length to furthest Indoor Unit	ft	82
Max. Pipe Elevation	ft	82
ELECTRICAL		
Power Supply	208-230V / 1Ph / 60Hz	
Voltage Range (Min - Max)	VAC	187 - 253
Rated Current - Cooling	A	21.7
Rated Current - Heating	A	22.6
MOCP	A	35
Suggested Breaker Size	A	30
Main Power Wire Size	AWG	Per Local Code
Interconnecting Wire Size	AWG	14 / 4

FEATURES & FUNCTIONS SUMMARY	MUL36HP230V1R32AO
SYSTEM FEATURES	
Inverter Type	G10
Ultra Low Frequency Torque Control	Yes
Power Factor Correction	Yes
Compressor Type - Inverter	High Efficiency Rotary
Basepan With Electric Heater	Yes
Indoor & Outdoor Fin Coating (Blue Fin)	Yes
Intelligent Defrosting	Yes
Intelligent Preheating	Yes
Low Voltage Startup	Yes
Memory/Power Failure Recovery	Yes
Self Diagnosis	Yes

ALLOWABLE COMBINATIONS CAPACITIES

MODEL NUMBER	POSSIBLE COMBINATIONS*	COOLING CAPACITY (Btu/h)					HEATING CAPACITY (Btu/h)				
		ZONE1	ZONE2	ZONE3	ZONE4	ZONE5	ZONE1	ZONE2	ZONE3	ZONE4	ZONE5
MUL36HP230V1R32AO	7K+7K+7K	7,000	7,000	7,000			8,000	8,000	8,000		
MUL36HP230V1R32AO	5K+7K+7K	5,000	7,000	7,000			6,000	8,000	8,000		
MUL36HP230V1R32AO	5K+5K+5K+5K	5,000	5,000	5,000	5,000		6,000	6,000	6,000	6,000	
MUL36HP230V1R32AO	7K+7K+7K+7K	7,000	7,000	7,000	7,000		8,000	8,000	8,000	8,000	
MUL36HP230V1R32AO	5K+5K+5K+7K	5,000	5,000	5,000	7,000		6,000	6,000	6,000	8,000	
MUL36HP230V1R32AO	5K+5K+7K+7K	5,000	5,000	7,000	7,000		6,000	6,000	8,000	8,000	
MUL36HP230V1R32AO	5K+7K+7K+7K	5,000	7,000	7,000	7,000		6,000	8,000	8,000	8,000	
MUL36HP230V1R32AO	9K+9K	9,000	9,000				9,000	9,000			
MUL36HP230V1R32AO	9K+12K	9,000	12,000				9,000	12,000			
MUL36HP230V1R32AO	9K+18K	9,000	18,000				9,000	18,000			
MUL36HP230V1R32AO	9K+24K	9,000	24,000				9,000	24,000			
MUL36HP230V1R32AO	12K+12K	12,000	12,000				12,000	12,000			
MUL36HP230V1R32AO	12K+18K	12,000	18,000				12,000	18,000			
MUL36HP230V1R32AO	12K+24K	12,000	24,000				12,000	24,000			
MUL36HP230V1R32AO	18K+18K	18,000	18,000				18,000	18,000			
MUL36HP230V1R32AO	18K+24K	15,429	20,571				15,429	20,571			
MUL36HP230V1R32AO	21K+24K	16,800	19,200				16,800	19,200			
MUL36HP230V1R32AO	24K+24K	18,000	18,000				18,000	18,000			
MUL36HP230V1R32AO	9K+9K+9K	9,000	9,000	9,000			9,000	9,000	9,000		
MUL36HP230V1R32AO	9K+9K+12K	9,000	9,000	12,000			9,000	9,000	12,000		
MUL36HP230V1R32AO	9K+9K+18K	9,000	9,000	18,000			9,000	9,000	18,000		
MUL36HP230V1R32AO	9K+9K+24K	7,714	7,714	20,571			7,714	7,714	20,571		
MUL36HP230V1R32AO	9K+12K+12K	9,000	12,000	12,000			9,000	12,000	12,000		
MUL36HP230V1R32AO	9K+12K+18K	8,308	11,077	16,615			8,308	11,077	16,615		
MUL36HP230V1R32AO	9K+12K+24K	7,200	9,600	19,200			7,200	9,600	19,200		
MUL36HP230V1R32AO	9K+18K+18K	7,200	14,400	14,400			7,200	14,400	14,400		
MUL36HP230V1R32AO	9K+18K+24K	6,353	12,706	16,941			6,353	12,706	16,941		
MUL36HP230V1R32AO	9K+21K+24K	6,000	14,000	16,000			6,000	14,000	16,000		
MUL36HP230V1R32AO	12K+12K+12K	12,000	12,000	12,000			12,000	12,000	12,000		
MUL36HP230V1R32AO	12K+12K+18K	10,286	10,286	15,429			10,286	10,286	15,429		
MUL36HP230V1R32AO	12K+12K+24K	9,000	9,000	18,000			9,000	9,000	18,000		
MUL36HP230V1R32AO	12K+18K+18K	9,000	13,500	13,500			9,000	13,500	13,500		
MUL36HP230V1R32AO	12K+18K+24K	8,000	12,000	16,000			8,000	12,000	16,000		
MUL36HP230V1R32AO	18K+18K+18K	12,000	12,000	12,000			12,000	12,000	12,000		
MUL36HP230V1R32AO	9K+9K+9K+9K	9,000	9,000	9,000	9,000		9,000	9,000	9,000	9,000	
MUL36HP230V1R32AO	9K+9K+9K+12K	8,308	8,308	8,308	11,077		8,308	8,308	8,308	11,077	
MUL36HP230V1R32AO	9K+9K+9K+18K	7,200	7,200	7,200	14,400		7,200	7,200	7,200	14,400	
MUL36HP230V1R32AO	9K+9K+9K+24K	6,353	6,353	6,353	16,941		6,353	6,353	6,353	16,941	
MUL36HP230V1R32AO	9K+9K+12K+12K	7,714	7,714	10,286	10,286		7,714	7,714	10,286	10,286	
MUL36HP230V1R32AO	9K+9K+12K+18K	6,750	6,750	9,000	13,500		6,750	6,750	9,000	13,500	
MUL36HP230V1R32AO	9K+9K+12K+24K	6,000	6,000	8,000	16,000		6,000	6,000	8,000	16,000	
MUL36HP230V1R32AO	9K+9K+18K+18K	6,000	6,000	12,000	12,000		6,000	6,000	12,000	12,000	
MUL36HP230V1R32AO	9K+12K+12K+12K	7,200	9,600	9,600	9,600		7,200	9,600	9,600	9,600	
MUL36HP230V1R32AO	9K+12K+12K+18K	6,353	8,471	8,471	12,706		6,353	8,471	8,471	12,706	
MUL36HP230V1R32AO	12K+12K+12K+12K	9,000	9,000	9,000	9,000		9,000	9,000	9,000	9,000	
MUL36HP230V1R32AO	12K+12K+12K+18K	8,000	8,000	8,000	12,000		8,000	8,000	8,000	12,000	

Outdoor Unit & Possible Indoor Unit Combinations with AHRI Certified Performance

*You may substitute the 9K unit with a 5K or 7K High Wall unit, find complete capacity information in the extended ratings chart.

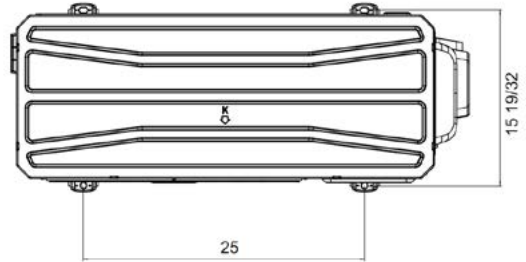
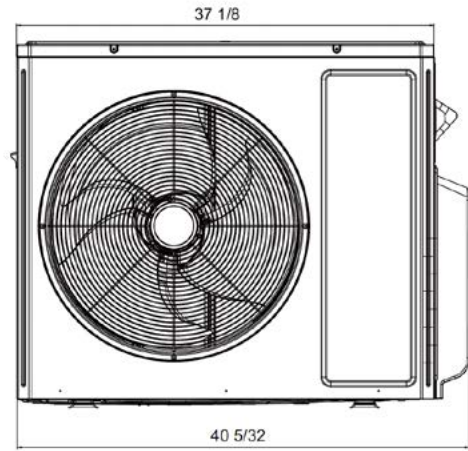
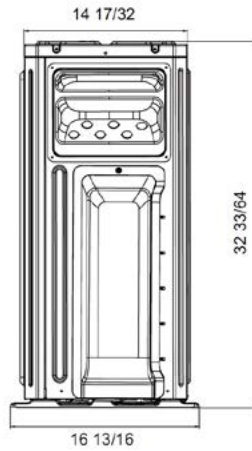
DIMENSIONS

OUTDOOR UNIT

Unit: inch

MUL36HP230V1R32AO

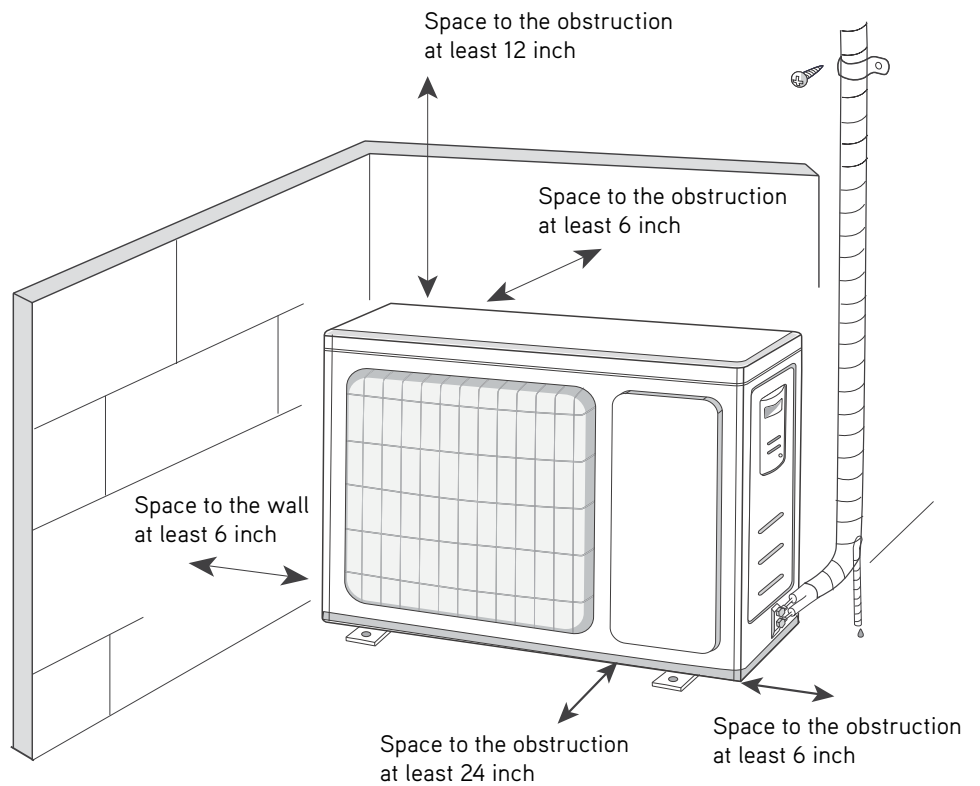
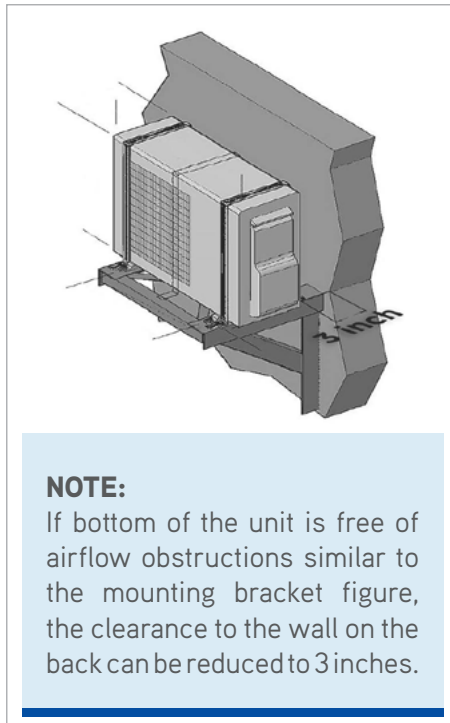
DIMENSIONS



CLEARANCES

OUTDOOR UNIT

Minimum clearance



Specifications are subject to change without notice. Manufacturer reserves the right to discontinue or modify specifications or designs without notice or without incurring obligations. All Rights reserved.

GRECOMFORT.COM/SYSTEM-DOCUMENTATION