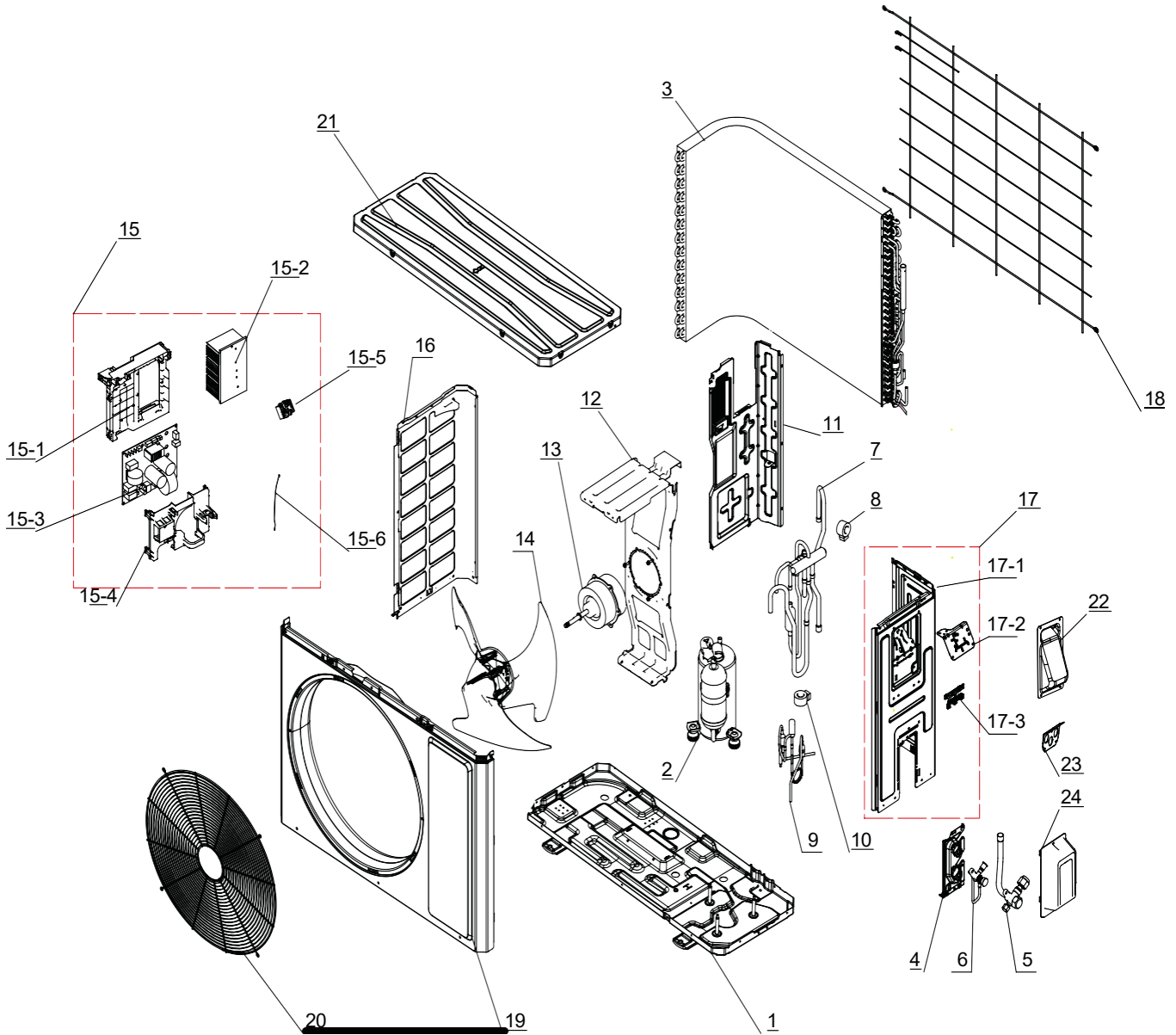


LIV36HP230V1R32AO



The component picture is only for reference; please refer to the actual product.

LIV36HP230V1R32AO

No.	Part Description	Qty	Part No.
1	Chassis Sub-Assy	1	01700006071117P
NS	Electrical Heater	1	'765100049
2	Compressor and Fittings	1	'009001060690
NS	Compressor Gasket	3	'009012000025
NS	Cotton	1	'7501580201
3	Condenser Assy	1	01100206192502
4	Valve Support	1	'012044060031P
5	Cut-off valve 5/8(N)	1	'070001060032
6	Cut-off valve 1/4(N)	1	'070001060022
NS	Electronic Expansion Valve Assy	1	'030174060218
NS	Electronic Expansion Valve Assy	1	'43005016
NS	Strainer	1	'0721302608
7	4-Way Valve Assy	1	'030152060838
NS	4-Way Valve Assy	1	'030152060792
NS	Silencer 1	1	'07243050
10	Electric Expand Valve Fitting	1	07200206002301
8	Magnet Coil	1	'4300040072
11	Clapboard Assy	1	'000075060173
14	Axial Flow Fan	1	'103002060027
16	Left Side Plate	1	'012055060389P
15	Electric Box Assy	1	'100002082048
15-1	Electric Box	1	20001306010201
15-2	Radiator	1	'430034060150
15-3	Main Board	1	'300027063794
15-4	Electric Box Cover	1	20008206007701
15-5	Terminal Board	1	42200006007501
17	Right Side Plate Assy	1	'000081060373
17-3	Wire Clamp	1	'200015060021
17-1	Right Side Plate	1	01205606043702P
NS	Front Panel Assy	1	00000306073801
20	Front Grill	1	'016004060018
19	Cabinet	1	01202206001901
21	Top Cover Sub-Assy	1	000051060149
24	Valve Cover	1	'200087060008
18	Rear Grill	1	'016001060087
NS	Drainage Joint	1	'26113009