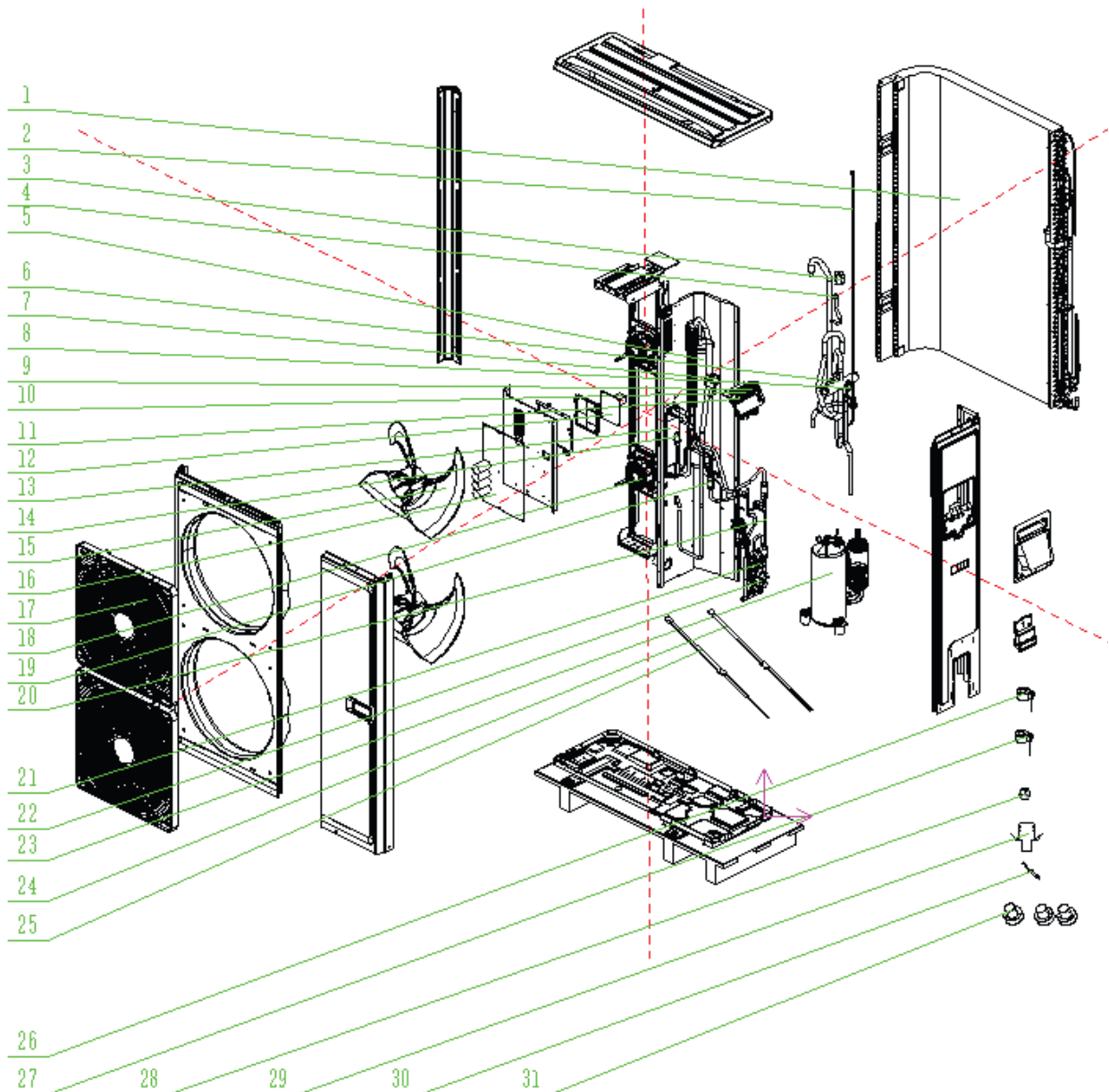


EXPLODED VIEW & PARTS LIST



Model Number:
FXU48HP230V1R32AO



FXU48HP230V1R32AO

No.	Part Description	Qty	Part No.
NS	Chassis Sub-assy	1	209020060053
NS	Chassis Sub-assy	1	017000061114P
23	Compressor and Fittings	1	009001060980
24	Electrical Heater(Compressor)	1	765152128
1	Condenser Assy	1	011002062380
NS	Brushless DC Motor	1	150104060074
18	Brushless DC Motor	1	15010406007401
NS	Motor Support Sub-Assy	1	017012060451
5	Gas-liquid Separator	1	035027060022
8	Pressure Protect Switch	1	46020007
NS	Fixed Block of Tube	1	708400113
6	4-Way Valve	1	43000338
4	Joint	1	6652200001
7	Pressure Protect Switch	1	4602000603
NS	Fixed Block of Tube	2	70843025
28	4 Way Valve Coil	1	07201006000604
3	fusible plug	1	035222000004
19	Strainer	2	035021060018
20	One Way Valve	1	071001060011
14	Electronic Expansion Valve	1	43005017
NS	Fixed Block of Tube	2	708400113
26	Electric Expand Valve Fitting	1	4304413297
13	Plate-type Heat Exchanger	1	00904100004
19	Strainer	1	035021060018
NS	Electronic Expansion Valve	1	072009060011
27	Electric Expand Valve Fitting	1	07200206002329
NS	Electric Box Assy	1	100002082342
12	Filter Board	1	300020060144
16	Main Board	1	300027063855
9	Terminal Board	1	42200006001202
10	Terminal Board	1	422000060106
11	Terminal Board	1	42200006005601
30	Sensor Sub-assy	1	390002060557
NS	Jumper	1	30000300000405
NS	Left Side Plate	1	01205506043501P01
NS	Cabinet Assy	1	000006060262
NS	Cabinet	1	01202206002201P01
17	Front Grill	2	01600406000201
NS	Right Side Plate Assy	1	000081060413
NS	Top Cover Sub-Assy	1	000051060270
NS	Top cover	1	012049060098P01
NS	Valve Cover	1	20008706000801
NS	Packaging Foam	1	110007060653
29	Drainage Joint	1	26113009