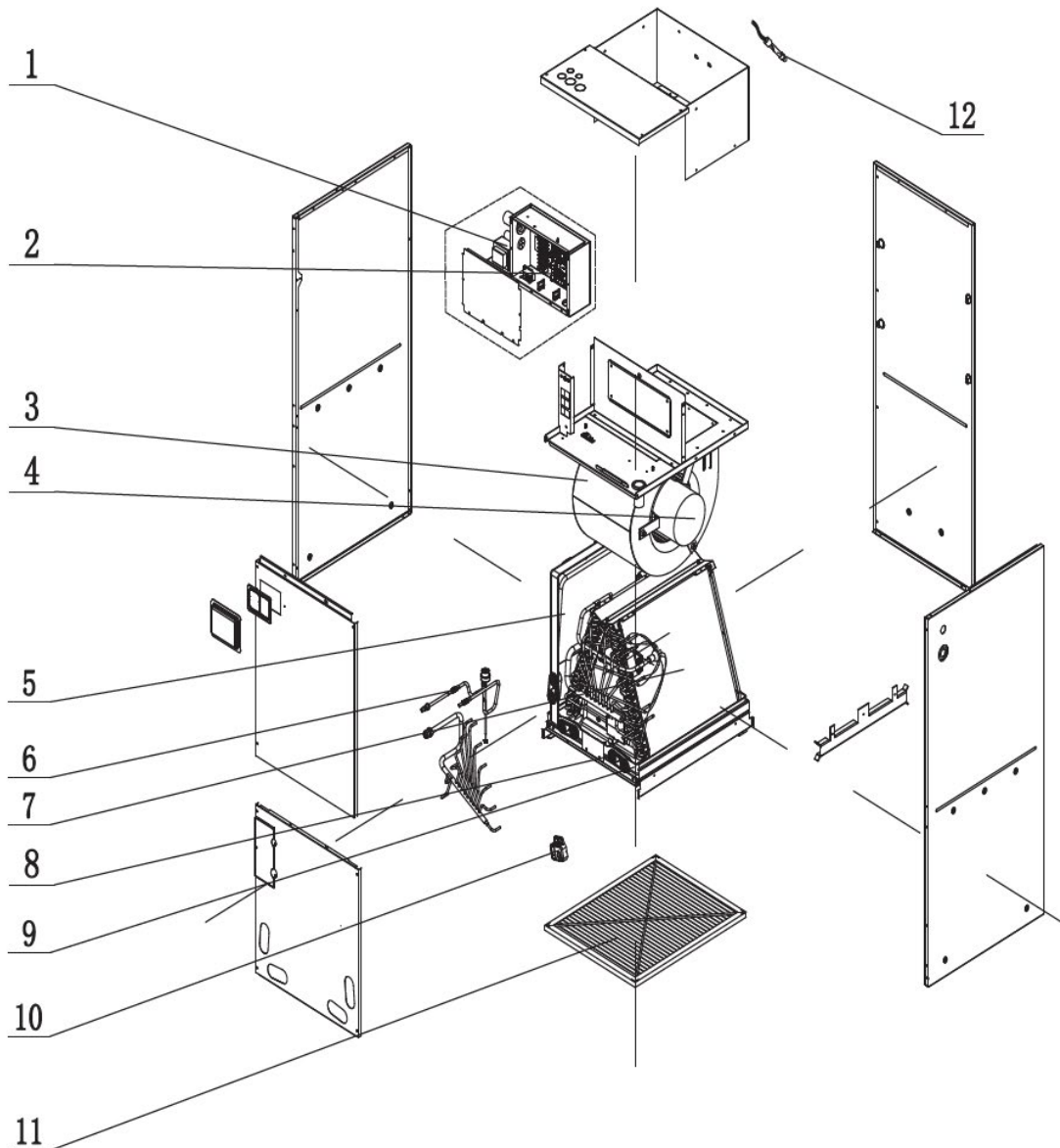


EXPLODED VIEW & PARTS LIST



FXE24HP230V1R32AH

No.	Part Description	Qty	Part No.
NS	Fan retaining plate sub-assy 1	2	01842232
NS	Centrifugal fan assy	1	000052060494
4	Brushless DC Motor	1	15010400001401
3	Centrifugal Fan Housing	1	1570220101
NS	Electronic Expansion Valve	1	072009060083
6	Strainer	2	035021060019
9	Water Tray	1	2690220000102
5	Water Tray	1	2690220000202
8	Choke Plug	8	76718209
NS	Joint	1	06658000008
10	Gas Sensor	1	34002406001501
NS	Electric Expand Valve Fitting	1	4304413269
NS	Sensor Sub-assy	1	390002060708
2	Main Board	1	300002064036
NS	Terminal Board	1	422000060207
NS	Terminal Board	1	42200006005601
1	Transformer	1	43110286
NS	Jumper	1	4202021909
12	Temperature Sensor	1	390001060085
11	Filter Sub-Assy	1	111001060269
NS	insulating board	1	75142201
7	Evaporator Assy	1	011001063444P