





SUBMITTAL DATA

ENV09HP230V1R32AH / ENV09HP230V1R32AO
9000 BTU/H Wall Mounted Heat Pump System

Job Name	Location	Date
Purchaser	Engineer	
Submitted to	For	
Unit Designation	Schedule No.	

			
YBE1FBF	ENV09HP230V1R32AH	ENV09HP230V1R32AO	XE71 (Optional)

GENERAL FEATURES

- AHRI Certificate: [214779342](#)
- High Efficiency DC Inverter Technology
- Compact and Quiet Design
- Auto-Clean Function on Indoor Unit
- Swing Louver Control
- Self-diagnosis
- New R32 Refrigerant
- Wi-Fi Included (Factory Installed)
- Wireless Remote with LCD Display
- Wired Controller Options
- Low Ambient Cooling down to -20°F (Range -20°F to 122°F)
- Low Ambient Heating down to -22°F (Range -22°F to 86°F)
- Coil (Indoor and Outdoor) Copper Tube / Aluminum Fin
- Blue Colored Fin - 500 Hrs Salt Spray Tested
- Fresh Air Kit - TL204000100 is offered as an accessory, needs to be ordered separately.

SPECIFICATIONS, FEATURES & FUNCTION SUMMARY

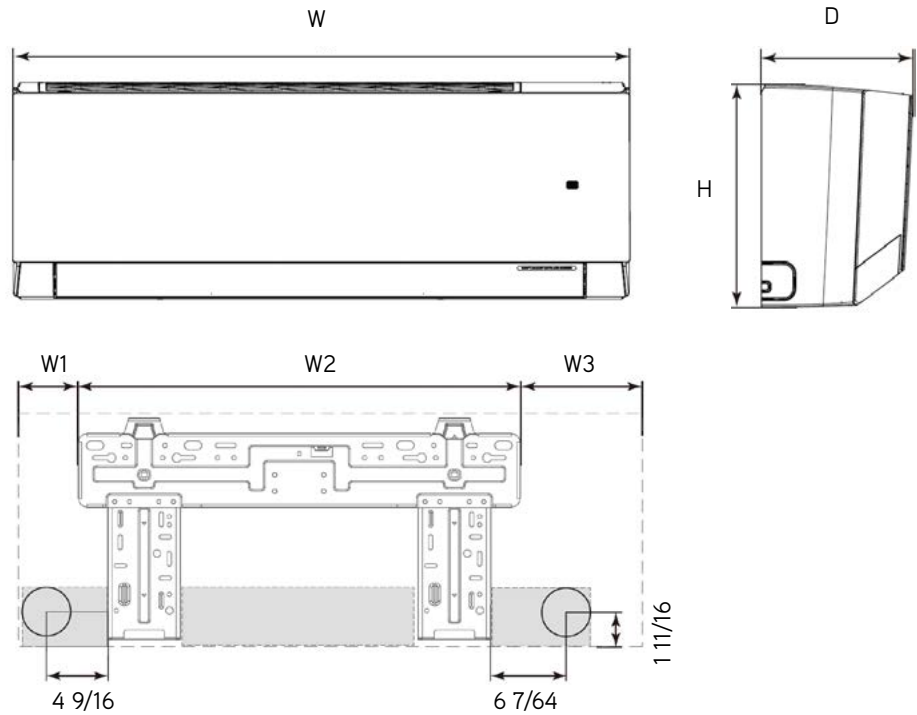
SPECIFICATIONS		ENV09HP230V1R32AH / ENV09HP230V1R32AO		FEATURES & FUNCTIONS SUMMARY		ENV09HP230V1R32AH / ENV09HP230V1R32AO	
System Type		HEAT PUMP					
SYSTEM PERFORMANCE				SYSTEM FEATURES			
Cooling	Min - Max	Btu/h	2730 - 12966		Inverter Type	G10	
	Capacity @95°F	Btu/h	9100		Ultra Low Frequency Torque Control	Yes	
Heating	Min - Max	Btu/h	2388 - 15013		Power Factor Correction	Yes	
	Capacity @47°F	Btu/h	10500		Compressor Type - Inverter	High Efficiency Rotary	
	Capacity @17°F	Btu/h	6400		Basepan With Electric Heater	Yes	
	Capacity Max @5°F	Btu/h	9300		Indoor & Outdoor Fin Coating (Blue Fin)	Yes	
SEER2			26.0		Intelligent Defrosting	Yes	
EER2			15.0		Intelligent Preheating	Yes	
HSPF2			10.4		Low Voltage Startup	Yes	
COP @5°F			2.0		Memory/Power Failure Recovery	Yes	
COP @47°F			3.9		Self Diagnosis	Yes	
Cooling Temperature Range		°F	-20 - 122		Wired Controller Interface (XE71 or XK76 optional)	Yes	
Heating Temperature Range		°F	-22 - 86		WiFi Included	Yes	
Refrigerant Type			R32		NEW! Easy Service Access	Yes	
INDOOR UNIT		ENV09HP230V1R32AH					
Air flow (Min-Max)		CFM	129 - 353		Indoor Fan Type	Crossflow	
Sound Pressure Level (Min - Max)		dB(A)	20 - 41		Multi Fan Speeds	7 Speeds	
Dehumidification		pt/hr	1.69		Indoor Unit Display	Yes	
External Dimensions (WxHxD)		in	32 61/64 × 11 17/32 × 7 7/8		Auxiliary Electrical Heater	No	
Package Dimension (W x H x D)		in	35 9/32 × 14 11/16 × 10 45/64		Ventilation (Outdoor Air)	No	
Net Weight		lbs	20.9		REMOTE CONTROLLER FUNCTIONS		
Gross Weight		lbs	25.4		Humidity Control	Yes	
OUTDOOR UNIT		ENV09HP230V1R32AO					
Compressor Type			Rotary		Two-way Ventilation	Yes	
Sound Pressure Level		dB(A)	52		Auto Clean	Yes	
External Dimensions (WxHxD)		in	31 37/64 × 21 27/32 × 13 25/32		Auto Mode	Yes	
Package Dimension (W x H x D)		in	34 21/64 × 24 13/32 × 15 43/64		Auto Fan	Yes	
Net Weight		lbs	70.6		Auto Swing (Horizontal Auto Swing)	Yes	
Gross Weight		lbs	76.1		Auto Swing - 180° (Vertical Auto Swing)	Yes	
REFRIGERANT PIPING				Clock			
Refrigerant Charge		oz	30		Dry Mode	Yes	
Additional Charge		oz/ft	0.2		Dry Anti-Mildew (X-Fan) Mode	Yes	
Line Set Size (Liquid - Gas) - Flared Connections		in	1/4 - 3/8		Energy Saving Mode	Yes	
Pre-Charge Length		ft	25		Dirty Filter Alert	Yes	
Pipe Length (Min - Max)		ft	10 - 66		Fan Speed Control (7 Speeds)	Yes	
Max. Pipe Elevation		ft	40		I Feel Function	Yes	
ELECTRICAL				Child Lock			
Power Supply	208-230V / 1Ph / 60Hz (Powered by the Outdoor Unit)				Quiet Mode	Yes	
Voltage Range (Min - Max)		VAC	187 - 253		Room Temperature Display	No	
Rated Current - Cooling		A	4.73		Sleep Mode	Yes	
Rated Current - Heating		A	6		3 Sleep Mode Options	Yes	
MCA		A	10		Timer Mode	Yes	
MOCP		A	15		Turbo Mode	Yes	
Suggested Breaker Size		A	10		Display On/Off Control	Yes	
Main Power Wire Size		AWG	Per Local Code		Freeze Guard Mode	Yes	
Interconnecting Wire Size		AWG	14 / 4		Power Failure Mode	Yes	

DIMENSIONS

INDOOR UNIT

Unit: inch

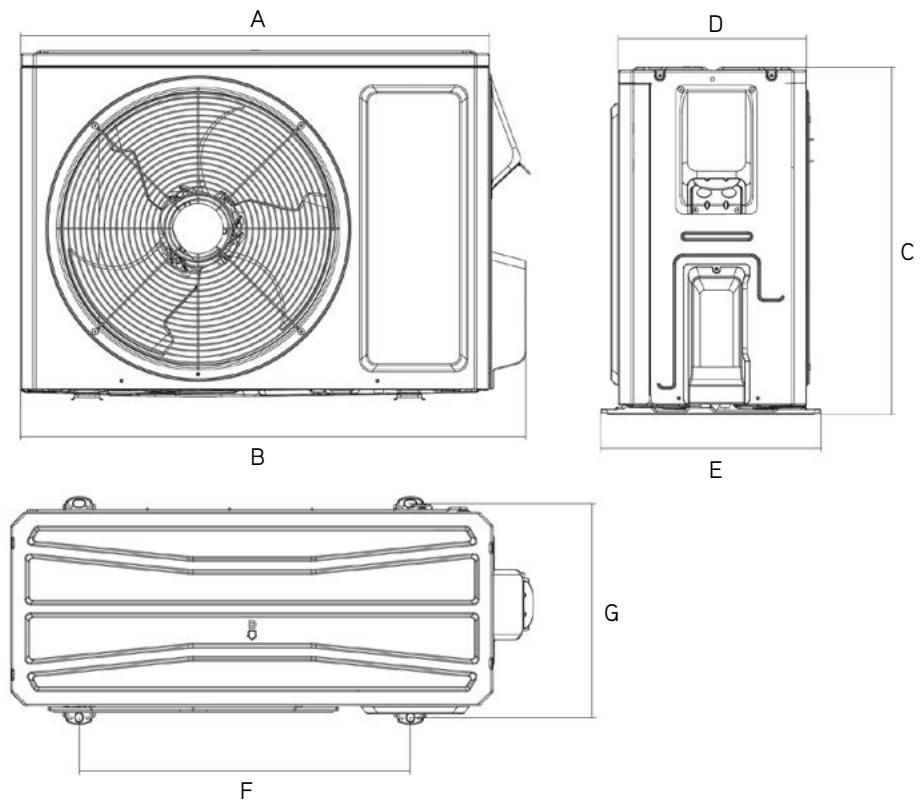
ENV09HP230V1R32AH	
DIMENSIONS	
W	32 61/64
H	11 17/32
D	7 7/8
W1	4 11/16
W2	21 11/32
W3	6 59/64



OUTDOOR UNIT

Unit: inch

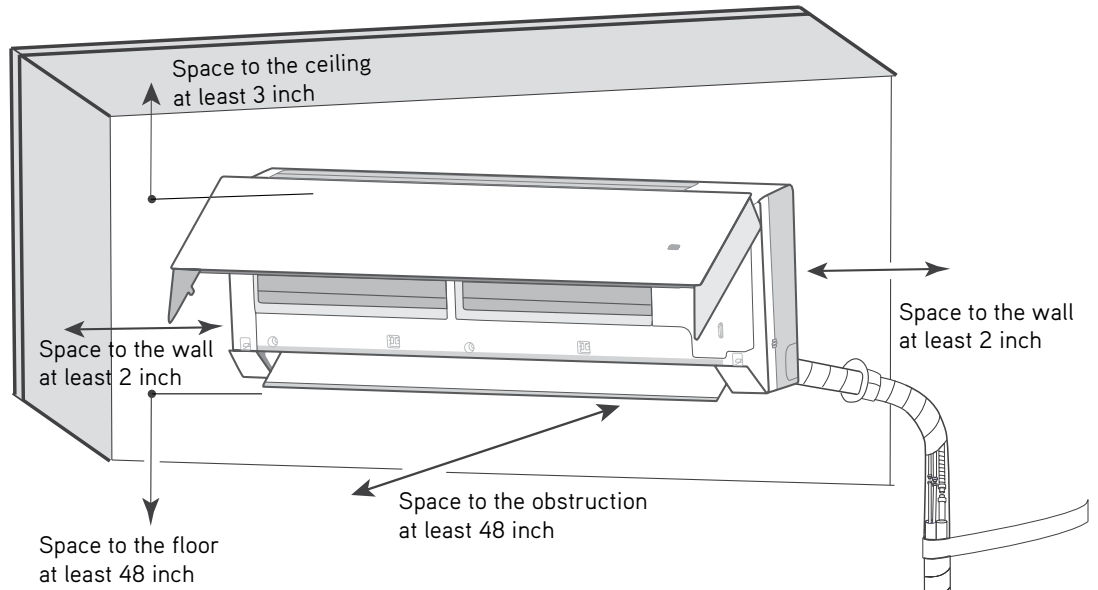
ENV09HP230V1R32AO	
DIMENSIONS	
A	29 21/64
B	31 37/64
C	21 27/32
D	11 13/16
E	13 25/32
F	20 5/32
G	13 5/64



CLEARANCES

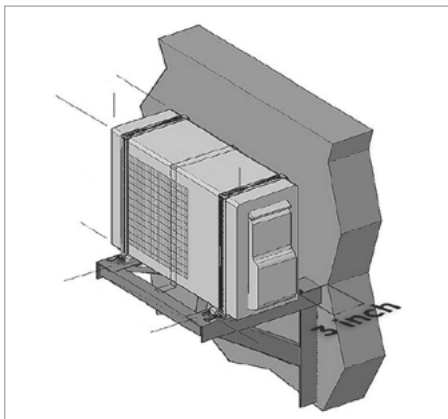
INDOOR UNIT

Minimum clearance

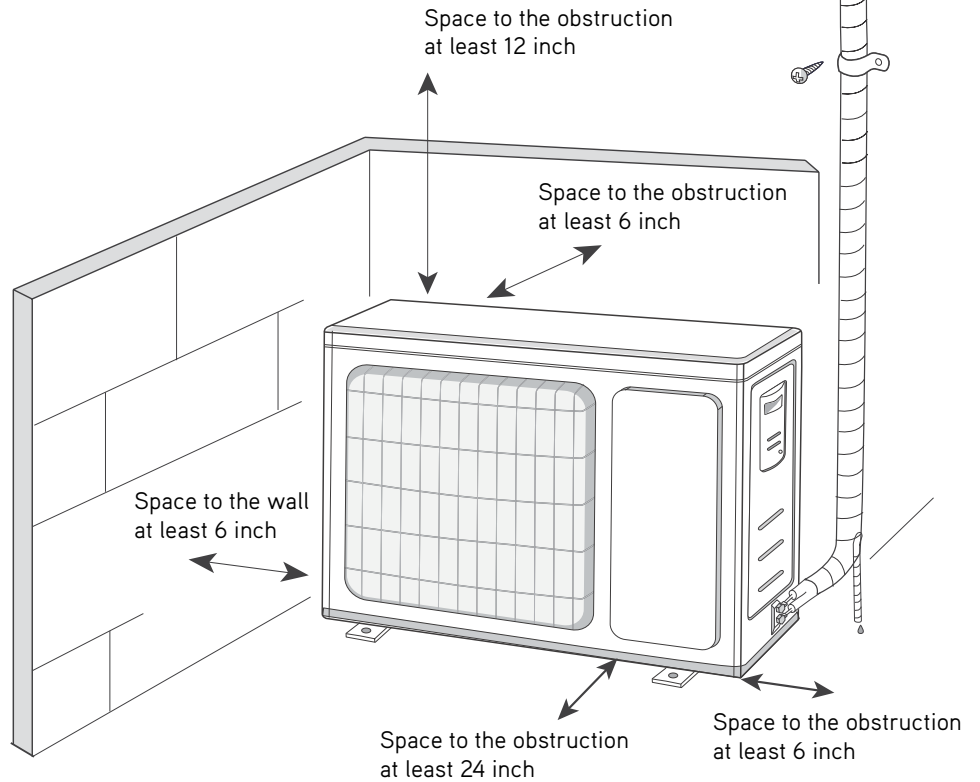


OUTDOOR UNIT

Minimum clearance



NOTE:
If bottom of the unit is free of airflow obstructions similar to the mounting bracket figure, the clearance to the wall on the back can be reduced to 3 inches.



Specifications are subject to change without notice. Manufacturer reserves the right to discontinue or modify specifications or designs without notice or without incurring obligations. All Rights reserved.