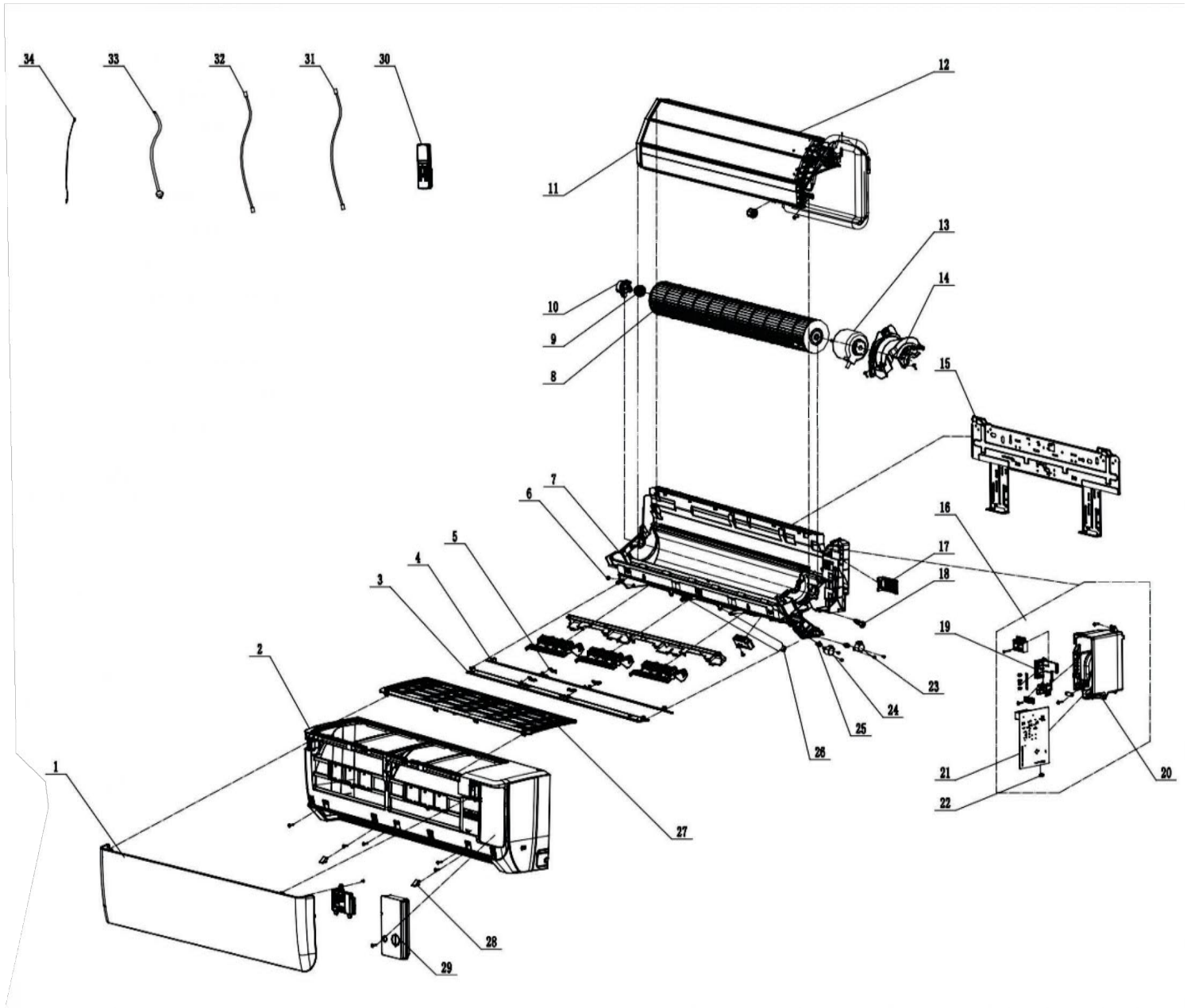


EXPLODED VIEW

ENV24HP230V1R32AH



No.	Part Description	Qty.	Part Code
NA	Rear Case Sub-Assy	1	00037706012501
7	Rear Case	1	20000106003302
NA	Helicoid Tongue	1	200006060008
NA	Air Louver 1 (Auto)	2	200007060051
NA	Air Louver 2	1	200007060053
NA	Air Louver	1	200007060052
NA	Stepping Motor	1	1521210704
25	Crank	2	200023060004
23	Stepping Motor	1	1521200606
24	Stepping Motor	1	1521210710
6	Axile Bush Sub-Assy	1	10542047
8	Cross Flow Fan	1	103001060017
13	Brushless DC Motor	1	15010406008802
NA	Motor Fixed Clip 2	1	26112325
14	Motor Press Plate	1	200020060007
26	Drainage Hose	1	05230014
12	Evaporator Assy	1	011001060869
11	Evaporator Support	1	200025060012
16	Electric Box Assy	1	100002081794
20	Electric Box	1	200013060061
21	Main Board	1	300002063343
22	Jumper	1	4202021921
NA	Terminal Board	1	422000000022
34	Temperature Sensor	1	3900031302
2	Front Case	1	200002060077
27	Filter Sub-Assy	1	111001060314
NA	Screw Cover	2	200005060017
4	Guide Louver Sub-Assy	1	000136060138
NA	Guide Louver (upper)	1	200004060177
5	Plug Pin	2	200033060002
3	Guide Louver Sub-Assy	1	000136060118
NA	Guide Louver (lower)	1	200004060155
5	Plug Pin	2	200033060002

No.	Part Description	Qty	Part Code
29	Electric Box Cover	1	200082060050
NA	Front Panel Assy	1	000003060739
1	Front Panel	1	200003060288T
15	Wall Mounting Frame Sub-Assy	1	012043060008
30	Remote Controller	1	305001060204
NS	Gas Sensor	1	34002406001601