



ETAC2 - HEAT PUMP Version "A" & "CP"



Submittal Data:
ETAC2 With Universal Heater - 7,000 to 15,000 Cooling & Heat Pump w/ Backup Electric Heating Models (Power Cord Required) **208/230 & 265 Voltage**

Job Name	Location	Date
Purchaser	Engineer	Phone
Submitted To	For <input type="checkbox"/> Reference <input type="checkbox"/> Approval <input type="checkbox"/>	<input type="checkbox"/> New Construction <input type="checkbox"/> Renovation Project
Unit Designation	Schedule No.	

- GENERAL FEATURES**
- Industry Standard Size 42" x 16" - Designed to easily install in most standard wall sleeve (Contractor must verify)
 - Condenser Coils are coated with a corrosion resistant epoxy resin providing enhanced resistance to acidic and salt air conditions.
 - Electronic Touch Pad - IR Remote Control (Optional) - Dry Mode
 - Wired, Wireless Wall Thermostat & Energy Management System Interface
 - LCDI Power Cord (208/230V Only)
 - Condensate Slinger Ring Disposal
 - Separate Multi-Speed Indoor & Outdoor Fan Motors
 - Industry's Longest Standard Warranty, 5 Year Limited Warranty (See Product Catalog For Details)



Performance Specification

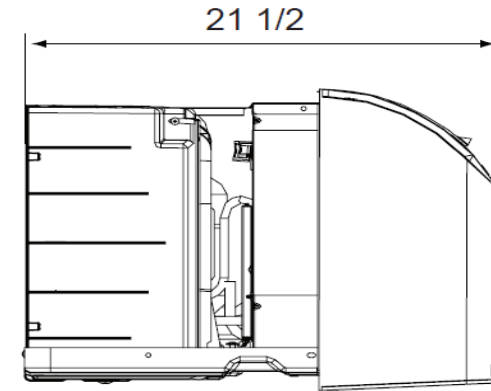
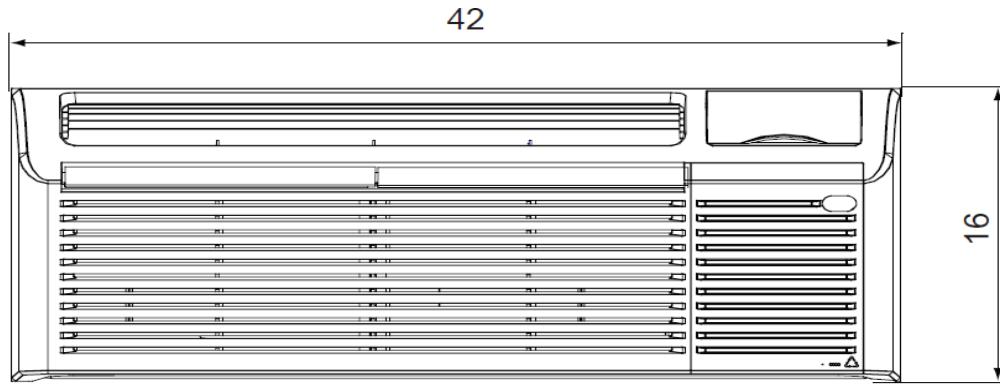
Model Number	Capacity (BTU/H)					Dehumi - dification (Pints/Hr)	Energy Efficiency Ratio (EER)	COP	Sensible Heat Factor	Indoor Fan CFM (Hi/Low)	AHRI Certification Number
	Cooling	Reverse Cycle	Universal Electric Heating								
			2.45 KW	3.45 KW	5.0 KW						
208/230 Volt											
ETAC2-07HP230VA-*	7,000/7,200	5,800/6,000	6,800/8,300	9,600/11,700	-	1.69	13.0	3.6/3.6	86%	312/282	9039013
ETAC2-09HP230VA-*	9,200/9,400	8,100/8,300	6,800/8,300	9,600/11,700	-	2.11	12.1	3.5/3.5	85%	329/294	9039014
ETAC2-12HP230VA-*	11,600/11,800	10,400/10,600	6,800/8,300	9,600/11,700	13,900/17,000	2.75	11.6	3.4/3.4	75%	341/306	9039015
ETAC2-15HP230VA-*	14,200/14,500	13,000/13,300	6,800/8,300	9,600/11,700	13,900/17,000	3.17	10.4	3.1/3.1	67%	341/306	9039016
265 Volt											
ETAC2-07HP265VA-*	7,200	6,000	8,300	11,700	-	1.69	13.0	3.6	86%	312/282	9039094
ETAC2-09HP265VA-*	9,400	8,300	8,300	11,700	-	2.11	12.1	3.5	85%	329/294	9039095
ETAC2-12HP265VA-*	11,800	10,600	8,300	11,700	17,000	2.75	11.6	3.4	75%	341/306	9039096
ETAC2-15HP265VA-*	14,500	13,300	8,300	11,700	17,000	3.17	10.4	3.1	67%	341/306	9039097

Electrical Specification

Model Number	Voltage Range	Input Power (Watts)					Current (Amps)					Max Fuse Size (Amps) (Based on Power Cord Selection)
		Cooling	Reverse Cycle	Universal Electric Heating			Cooling	Reverse Cycle	Universal Electric Heating			
				2.45 KW	3.45 KW	5.0 KW			2.45 KW	3.45 KW	5.0 KW	
208/230 Volt												
ETAC2-07HP230VA-*	187-253	535/550	470/485	2,003/2,450	2,821/3,450	-	2.9/2.7	2.6/2.4	9.7/10.7	13.6/15.0	-	15, 20
ETAC2-09HP230VA-*	187-253	760/775	675/695	2,003/2,450	2,821/3,450	-	3.9/3.7	3.4/3.2	9.7/10.7	13.6/15.0	-	15, 20
ETAC2-12HP230VA-*	187-253	1,000/1,015	895/910	2,003/2,450	2,821/3,450	4,089/5,000	5.1/4.9	4.7/4.2	9.7/10.7	13.6/15.0	19.7/21.8	15, 20, 30
ETAC2-15HP230VA-*	187-253	1,365/1,390	1,225/1,255	2,003/2,450	2,821/3,450	4,089/5,000	6.7/6.2	6.7/6.2	9.7/10.7	13.6/15.0	19.7/21.8	15, 20, 30
265 Volt												
ETAC2-07HP265VA-*	239-292	550	485	2,450	3,450	-	2.4	2.2	9.3	13.1	-	15, 20
ETAC2-09HP265VA-*	239-292	775	695	2,450	3,450	-	3.3	3.1	9.3	13.1	-	15, 20
ETAC2-12HP265VA-*	239-292	1,015	910	2,450	3,450	5,000	4.2	3.7	9.3	13.1	18.9	15, 20, 30
ETAC2-15HP265VA-*	239-292	1,390	1,255	2,450	3,450	5,000	5.4	5.0	9.3	13.1	18.9	15, 20, 30

* A = Standard Coil Protection CP = Corrosion Protection (Sea Coast Protection)

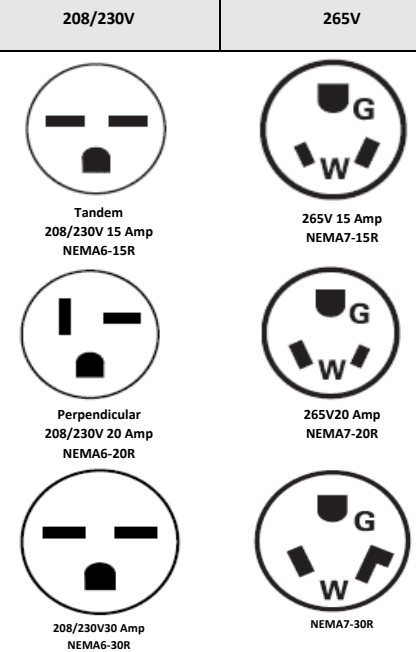
Dimensional Specifications



Universal Power Cord Selection

Model Number	Voltage	Breaker Size	Electric Heater KW	Minimum Circuit Ampacity	Receptacles Type	NEMA Number
E2CORD-230V15A	208/203	15	2.45	14	Tandem	6-15P
E2CORD-230V20A	208/203	20	3.45	19	Perpendicular	6-20P
E2CORD-230V30A	208/203	30	5.0	28	Large Tandem	6-30P
E2CORD-265V15A	265	15	2.45	12	265V 15 Amp	7-15P
E2CORD-265V20A	265	20	3.45	17	265V 20 Amp	7-20P
E2CORD-265V30A	265	30	5.0	24	265V 30 Amp	7-30P

Receptacle Configuration



Accessories

PTAC-SLEEVE-SE-INS	Standard Sleeve Metal Insulated (42"W x 13-3/4"D x 16"H)
WALL-SLEEVE-1PK	Standard Wall Sleeve Polymer Non-Insulated (42"W x 13-3/4"D x 16"H)
SLEEVE-INSUL-1PK	Standard Wall Sleeve Polymer Insulated (42"W x 14-3/4"D x 16"H)
PTAC-SUBBASE-A	Non-Electrical Subbase [Electrical Components Available]
GRILLE-ALU-CLEAR	Aluminum Architectural Louvered Grille - Clear [Additional Colors Available]
GRILLE-PLA-ALPIN	Polymer Architectural Louvered Grille - Alpine Beige (matches wall sleeve) [Additional Colors Available]
GRILLE-ALU-STAMP	Stamped Aluminum Grille - Clear
DRAIN-KIT-1PK	Internal & External Condensate Drain Kits
TP-N-631W	Wireless Wall Thermostats 2 Fan Speed (Non-Programmable)
TP-N-631	Wired Wall Thermostats 2 Fan Speed (Non-Programmable)

Please refer to ETAC2 product catalog for complete line of accessories



Specifications are subject to change. Manufacturer reserves the right to discontinue or modify specification or design without notice or without incurring obligation. All rights reserved.