



SUBMITTAL DATA: CAS18HP230V1BC

18000 BTU/H Cassette

Job Name	Location	Date
Purchaser	Engineer	
Submitted To	For	
Unit Designation	Schedule No.	

YT1F

CAS18HP230V1BC

XK19



GENERAL FEATURES

AHRI Certificate: See Matching or Paired Outdoor Unit AHRI Certificate

Compact and Quiet Design

4 - Way Discharge Air

Internal Condensate Drain Pump

Wireless Remote with LCD Display Included

XK19 Wired Controller Included

Low Ambient Cooling Based on Outdoor Unit Performance

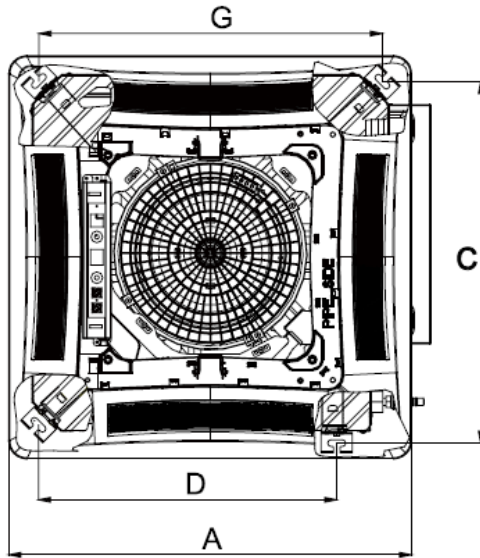
Low Ambient Heating Based on Outdoor Unit Performance

Copper Tube / Aluminum Fin Coil (Blue Fin) 500 Hrs Salt Spray Tested

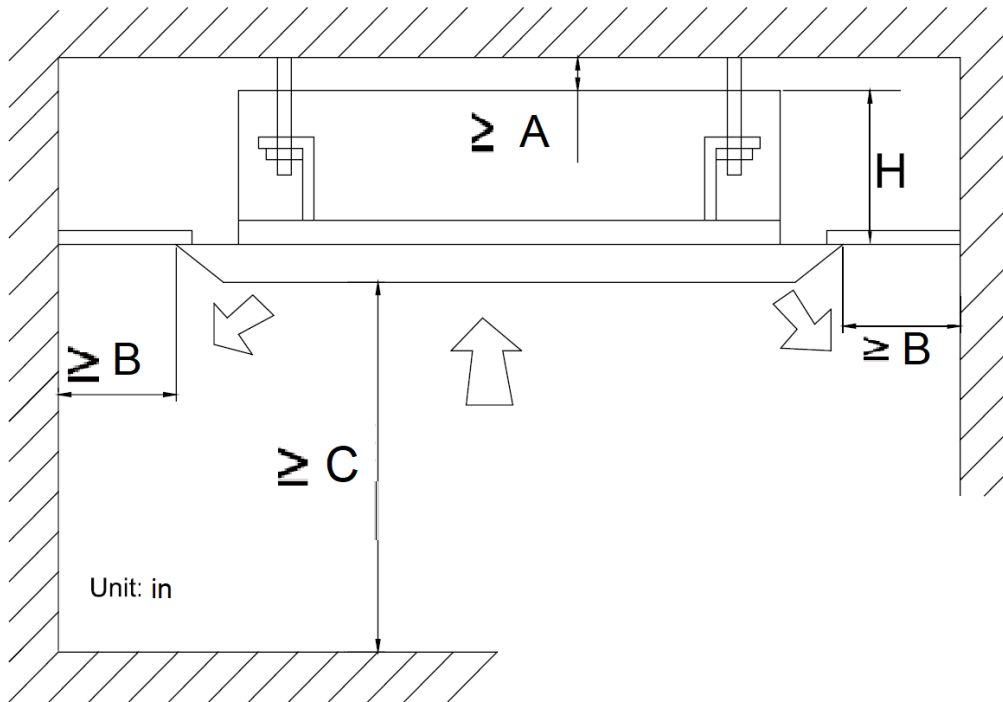
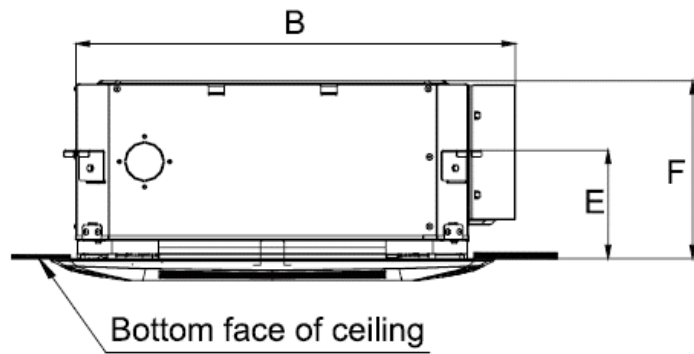
5 Year Limited Compressor & Parts Warranty (Residential Only)

SPECIFICATIONS		CAS18HP230V1BC	
System Type		HEAT PUMP	
SYSTEM PERFORMANCE			
Cooling	Rated Capacity @ 95°F	Btu/h	See Outdoor Unit Submittals -Connected Unit Capacities
	Min-Max Capacity	Btu/h	5100 - 23200
Heating	Rated Capacity @ 47°F	Btu/h	See Outdoor Unit Submittals -Connected Unit Capacities
	Min-Max Capacity	Btu/h	5800 - 23500
SEER / EER		Based on Outdoor Unit Performance	
HSPF / COP		Based on Outdoor Unit Performance	
Energy Star®		Based on Outdoor Unit Performance	
Cooling Temperature Range		°F	Based on Outdoor Unit Performance
Heating Temperature Range		°F	Based on Outdoor Unit Performance
INDOOR UNIT		CAS18HP230V1BC	
Fan Motor Output Power		W	45
Fan Motor FLA		amps	0.5
Air Flow (Min - Max)		CFM	265 - 418
Sound Pressure Level (Cooling / Heating)		dB(A)	35 - 47
Dehumidification		pt/hr	3.8
Condensate Drain Size (OD)		in	1
Unit Dimension (WxHxD)		in	23 1/2 X 23 1/2 X 9 1/2
Package Dimension (WxHxD)		in	30 1/2 X 29 X 11 1/4
Weight (Net / Gross)		lbs	44 / 53
REFRIGERANT PIPING			
Line Set Size (Liquid - Gas)		in	1/4 - 1/2
Pre-Charge Length		ft	Based on Outdoor Unit
Pipe Length (Min - Max)		ft	Based on Outdoor Unit
Max. Pipe Elevation		ft	Based on Outdoor Unit
ELECTRICAL			
Power Supply (Voltage Operating Range)		Powered by Outdoor Unit	
Rated Current (Cooling / Heating)		amps	Based on Outdoor Unit
MCA / MOCP		amps	Based on Outdoor Unit
Main Power Wire Size		AWG	Size Per Local Code
Interconnecting Wire Size		AWG	14 / 4
LIMITED WARRANTY		5 Years Residential	

REMOTE CONTROLLER FUNCTIONS	
Auto Mode	Yes
Auto Fan	Yes
Auto Swing (Horizontal Auto Swing)	No
Auto Swing (Vertical Auto Swing)	Yes
Clock	Yes
Dry Mode	Yes
Dry Anti-Mildew (X-Fan) Mode	Yes
Energy Saving Mode	Yes
Dirty Filter Alert	No
Fan Speed Control (7 Speeds)	Yes
I Feel Function	Yes
Privacy Lock	Yes
Quiet Mode	No
Room Temperature Display	No
Sleep Mode	Yes
Normal Sleep Mode Option	Yes
Timer Mode	Yes
Turbo Mode	Yes
Display On/Off Control	Yes
Freeze Guard Mode	Yes
Power Failure Mode	Yes



Dimensions	
A	26 3/8
B	26 3/8
C	23 5/8
D	19 1/2
E	5 11/16
F	9 7/16
G	23 1/2



Clearances	
A	7/8
B	60
C	98
H	10

Unit: in