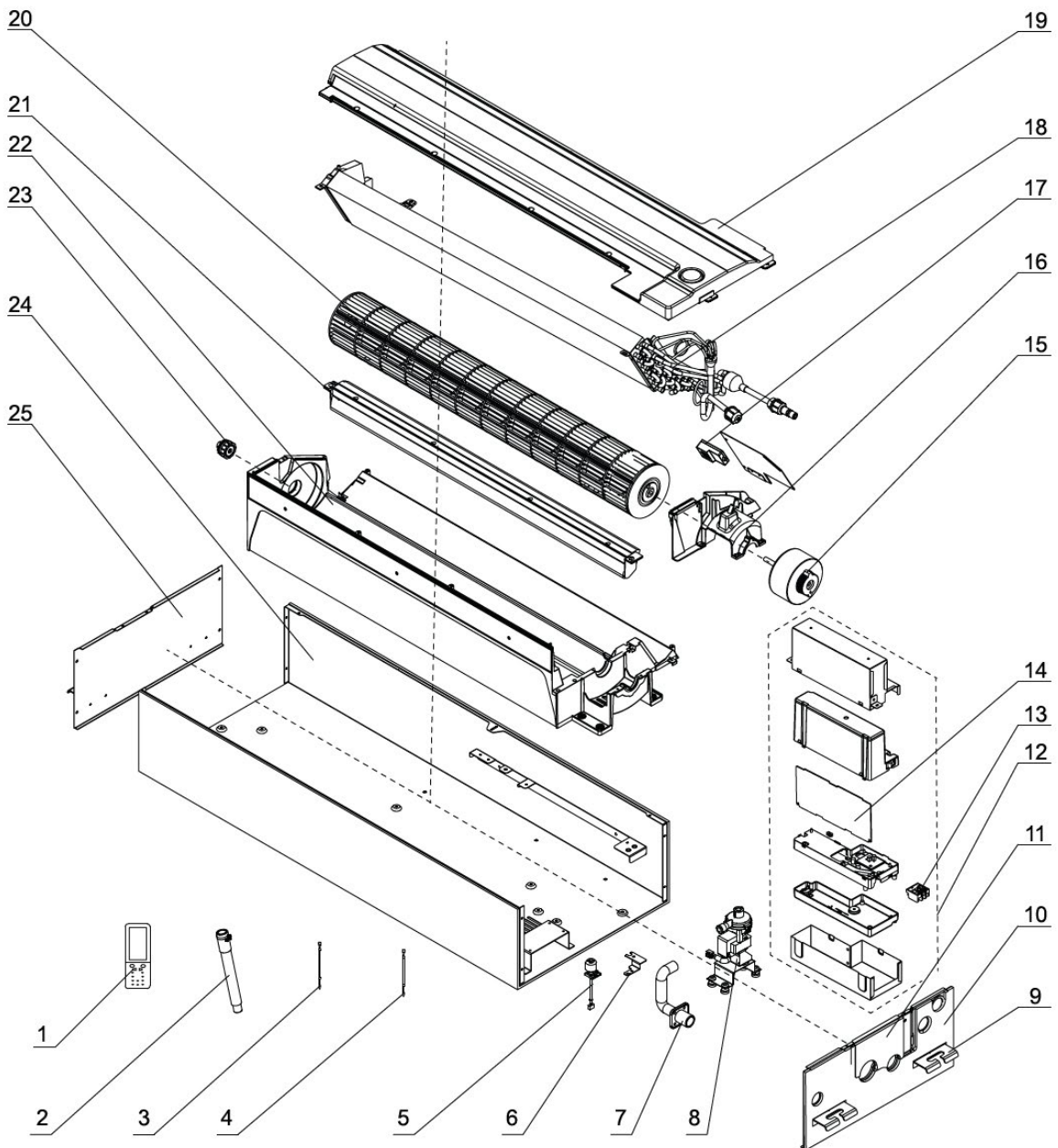


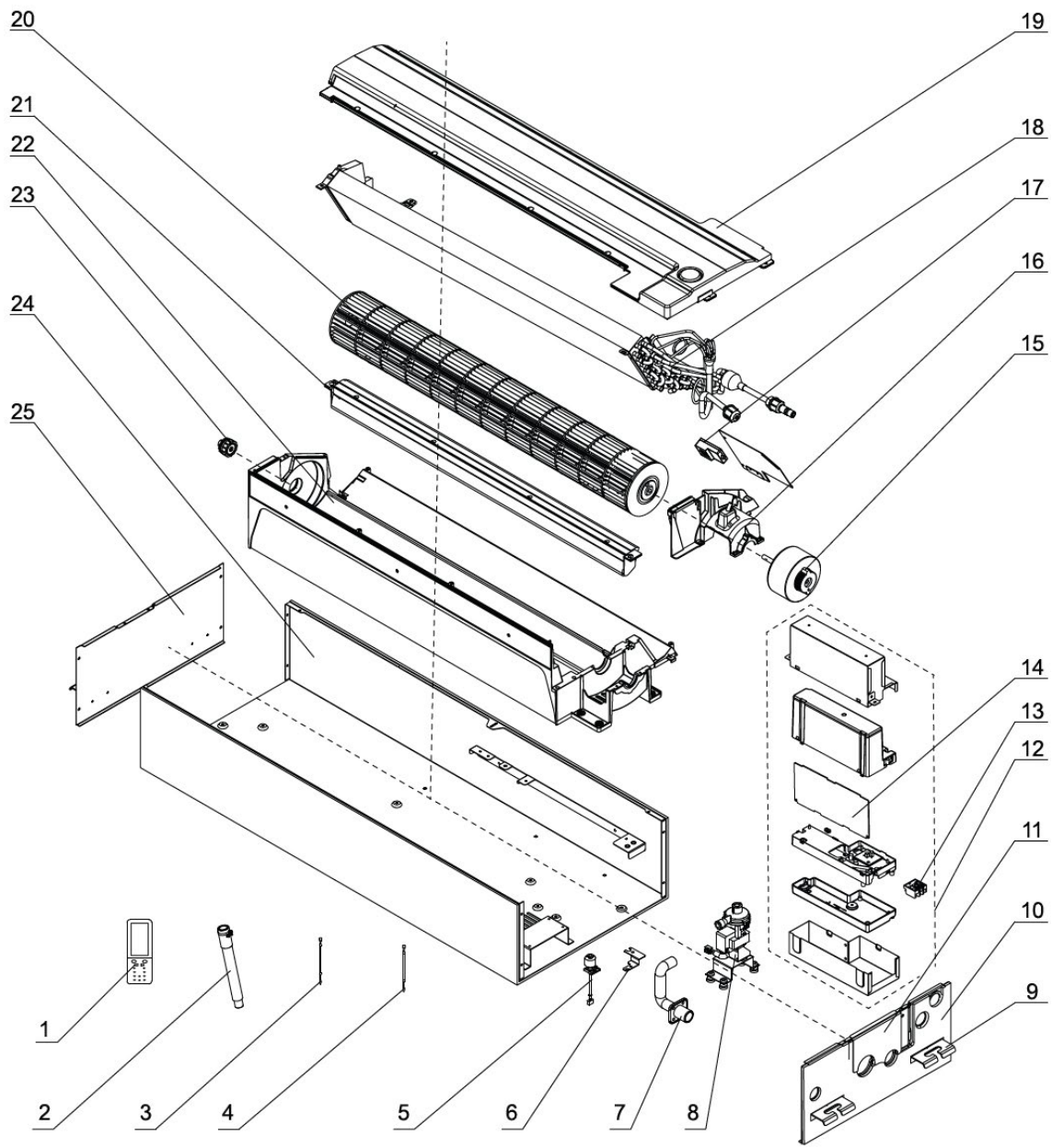
# EXPLODED VIEW & PARTS LIST



OWC09HP230V1R32AH

No.	Part Description	Qty	Part No.
24	Chassis Assy	1	1194100007
15	Brushless DC Motor FN30E-ZL	1	1501214301
20	Cross Flow Fan	1	10454100001
16	Motor Press Plate	1	1344100019
21	Helicoid Tongue sub-assy	1	2224100007
NS	Helicoid Tongue	1	<a href="#">26904100042</a>
25	Left Side Plate Sub-Assy	1	1314100022
10	Right Side Plate	1	131410001801
9	Hook	4	2112466
8	Water Pump PSB-0.024/1.2-A	1	81200706001601
NS	Rubber Base	4	<a href="#">76512703</a>
NS	Rubber Sheet	3	<a href="#">760019060014</a>
NS	Gasket 6	2	<a href="#">70410252</a>
7	Pump Drainpipe	1	26905288
5	Liquid Level Switch	1	<a href="#">430024000005</a>
18	Evaporator Assy	1	11001060878
NS	Damping Block	1	<a href="#">76012451</a>
17	Gas Sensor R32	1	<a href="#">340024060016</a>
12	Electric Box Assy	1	<a href="#">100002082862</a>
14	Main Board Z4M551XJ	1	<a href="#">300002064305</a>
NS	Jumper cap 2.5mm (blue)	1	<a href="#">4202021904</a>
13	Terminal Board	1	<a href="#">422000060015</a>
11	Tube Exit Plate Assy	1	1344100020
NS	Tube-exit Plate	1	1344100018
3	Temperature Sensor 15KS-XH-2P-K3	1	<a href="#">3900004510</a>
4	Temperature Sensor 20KT-EH-2P-K3	1	<a href="#">390000592</a>
19	Water Tray Sub-Assy	1	1284100011
NS	Water Tray	1	<a href="#">26904100035</a>
1	Remote Controller YBE1FB5F	1	<a href="#">305001060180</a>
2	Drain Hose Sub-Assy	1	7008000001
NS	Drain Hose	1	5232046

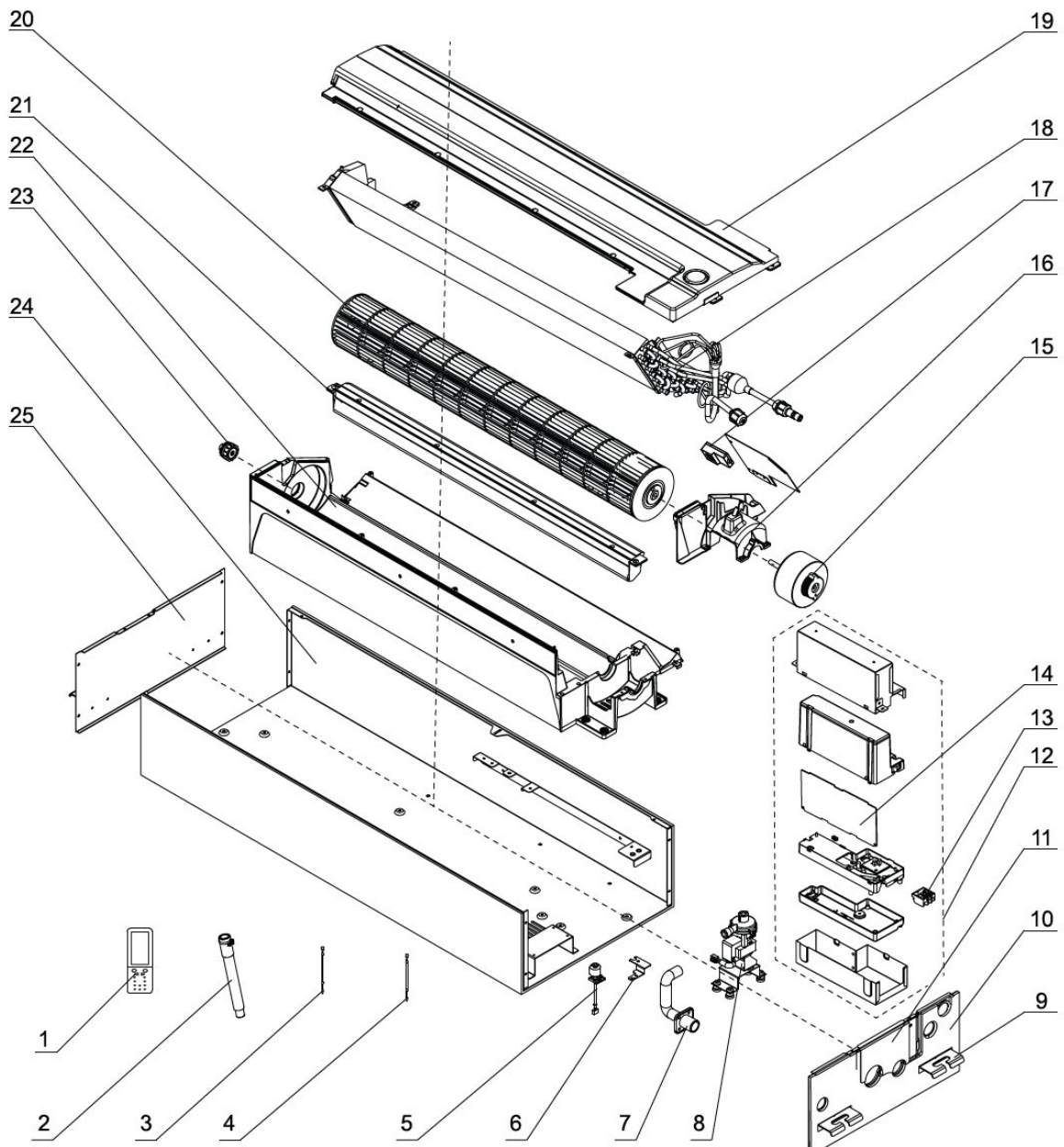
# EXPLODED VIEW & PARTS LIST



OWC12HP230V1R32AH

No.	Part Description	Qty	Part No.
24	Chassis Assy	1	01194100007
15	Brushless DC Motor FN30E-ZL	1	1501214301
20	Cross Flow Fan	1	10454100001
16	Motor Press Plate	1	<a href="#">01344100019</a>
NS	Helicoid Tongue sub-assy	1	02224100007
21	Helicoid Tongue	1	<a href="#">26904100042</a>
25	Left Side Plate Sub-Assy	1	01314100022
10	Right Side Plate	1	0131410001801
9	Hook	4	<a href="#">02112466</a>
8	Water Pump PSB-0.024/1.2-A	1	81200706001601
NS	Rubber Base	4	<a href="#">76512703</a>
NS	Rubber Sheet	3	<a href="#">760019060014</a>
NS	Gasket 6	2	<a href="#">70410252</a>
7	Pump Drainpipe	1	26905288
5	Liquid Level Switch	1	<a href="#">430024000005</a>
18	Evaporator Assy	1	<a href="#">011001060878</a>
NS	Damping Block	1	<a href="#">76012451</a>
17	Gas Sensor R32	1	<a href="#">340024060016</a>
12	Electric Box Assy	1	<a href="#">100002082861</a>
14	Main Board Z4M551XJ	1	<a href="#">300002064305</a>
NS	Jumper cap 2.5mm (blue)	1	4202021905
13	Terminal Board	1	<a href="#">422000060015</a>
NS	Tube Exit Plate Assy	1	01344100020
11	Tube-exit Plate	1	<a href="#">01344100018</a>
3	Temperature Sensor 15KS-XH-2P-K3	1	<a href="#">3900004510</a>
4	Temperature Sensor 20KT-EH-2P-K3	1	<a href="#">390000592</a>
NS	Water Tray Sub-Assy	1	01284100011
22	Water Tray	1	<a href="#">26904100035</a>
1	Remote Controller YBE1FB5F	1	<a href="#">305001060180</a>
NS	Drain Hose Sub-Assy	1	<a href="#">007008000001</a>
2	Drain Hose	1	05232046

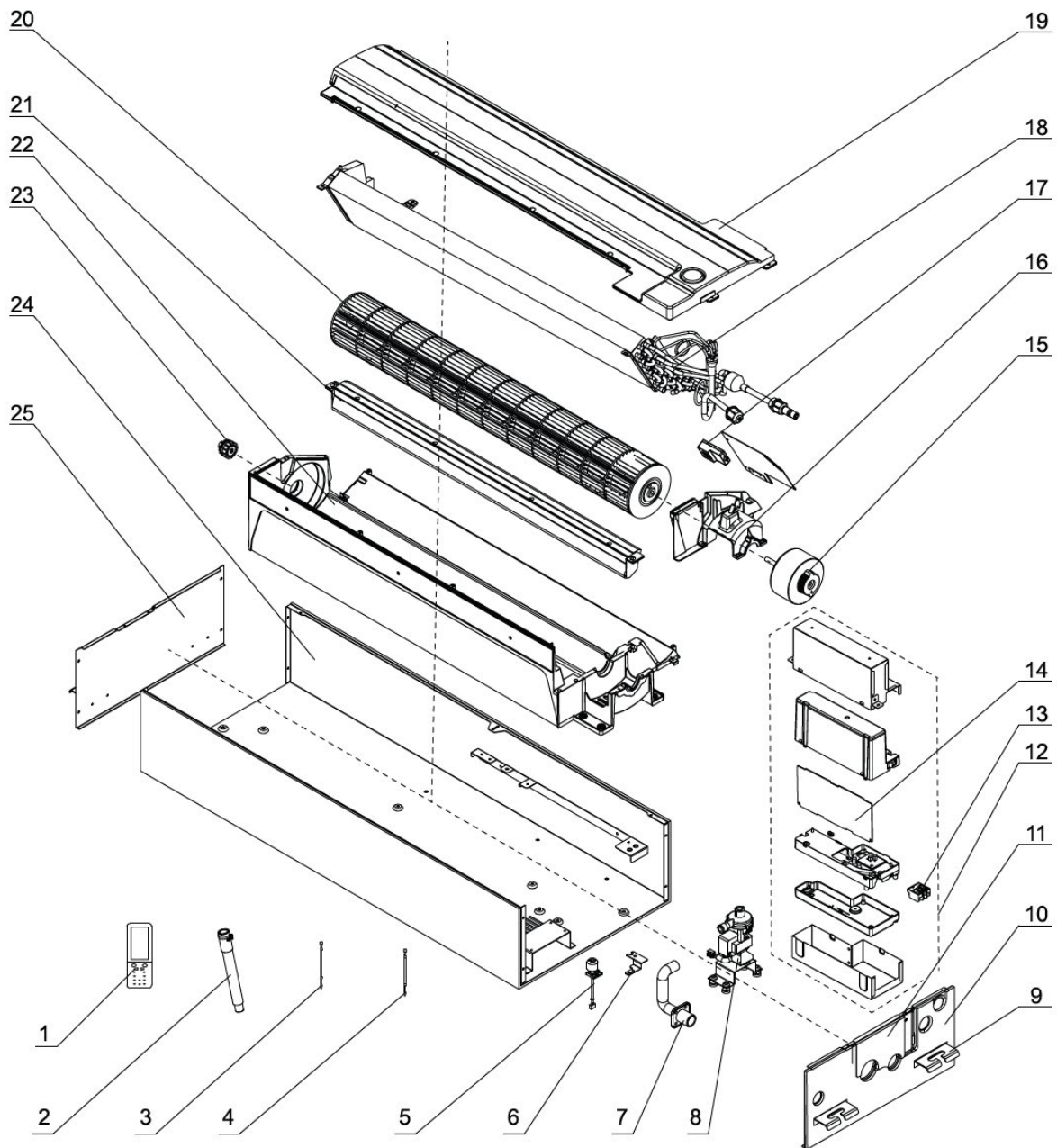
# EXPLODED VIEW & PARTS LIST



OWC18HP230V1R32AH

No.	Part Description	Qty	Part No.
24	Chassis Assy	1	01194100007
15	Brushless DC Motor FN30E-ZL	1	1501214301
20	Cross Flow Fan	1	10454100001
16	Motor Press Plate	1	<a href="#">01344100019</a>
NS	Helicoid Tongue sub-assy	1	02224100007
21	Helicoid Tongue	1	<a href="#">26904100042</a>
25	Left Side Plate Sub-Assy	1	01314100022
10	Right Side Plate	1	0131410001801
9	Hook	4	<a href="#">02112466</a>
8	Water Pump PSB-0.024/1.2-A	1	81200706001601
NS	Rubber Base	4	<a href="#">76512703</a>
NS	Rubber Sheet	3	<a href="#">760019060014</a>
NS	Gasket 6	2	<a href="#">70410252</a>
7	Pump Drainpipe	1	26905288
5	Liquid Level Switch	1	<a href="#">430024000005</a>
18	Evaporator Assy	1	11001060877
NS	Damping Block	1	<a href="#">76012451</a>
17	Gas Sensor R32	1	<a href="#">340024060016</a>
12	Electric Box Assy	1	<a href="#">100002082866</a>
14	Main Board Z4M551XJ	1	<a href="#">300002064305</a>
NS	Jumper cap 2.5mm (blue)	1	4202021905
13	Terminal Board	1	<a href="#">422000060015</a>
NS	Tube Exit Plate Assy	1	01344100020
11	Tube-exit Plate	1	<a href="#">01344100018</a>
3	Temperature Sensor 15KS-XH-2P-K3	1	<a href="#">3900004510</a>
4	Temperature Sensor 20KT-EH-2P-K3	1	<a href="#">390000592</a>
NS	Water Tray Sub-Assy	1	01284100011
22	Water Tray	1	<a href="#">26904100035</a>
1	Remote Controller YBE1FB5F	1	<a href="#">305001060180</a>
NS	Drain Hose Sub-Assy	1	<a href="#">007008000001</a>
2	Drain Hose	1	05232046

# EXPLODED VIEW & PARTS LIST



OWC20HP230V1R32AH

No.	Part Description	Qty	Part No.
24	Chassis Assy	1	01194100007
15	Brushless DC Motor FN30E-ZL	1	1501214301
20	Cross Flow Fan	1	10454100001
16	Motor Press Plate	1	<a href="#">01344100019</a>
NS	Helicoid Tongue sub-assy	1	02224100007
21	Helicoid Tongue	1	<a href="#">26904100042</a>
25	Left Side Plate Sub-Assy	1	01314100022
10	Right Side Plate	1	0131410001801
9	Hook	4	<a href="#">02112466</a>
8	Water Pump PSB-0.024/1.2-A	1	81200706001601
NS	Rubber Base	4	<a href="#">76512703</a>
NS	Rubber Sheet	3	<a href="#">760019060014</a>
NS	Gasket 6	2	<a href="#">70410252</a>
7	Pump Drainpipe	1	26905288
5	Liquid Level Switch	1	<a href="#">430024000005</a>
18	Evaporator Assy	1	<a href="#">011001060877</a>
NS	Damping Block	1	<a href="#">76012451</a>
17	Gas Sensor R32	1	<a href="#">340024060016</a>
12	Electric Box Assy	1	<a href="#">100002082857</a>
14	Main Board Z4M551XJ	1	<a href="#">300002064305</a>
NS	Jumper cap 2.5mm (blue)	1	4202021905
13	Terminal Board	1	<a href="#">422000060015</a>
NS	Tube Exit Plate Assy	1	01344100020
11	Tube-exit Plate	1	<a href="#">01344100018</a>
3	Temperature Sensor 15KS-XH-2P-K3	1	<a href="#">3900004510</a>
4	Temperature Sensor 20KT-EH-2P-K3	1	<a href="#">390000592</a>
NS	Water Tray Sub-Assy	1	01284100011
22	Water Tray	1	<a href="#">26904100035</a>
1	Remote Controller YBE1FB5F	1	<a href="#">305001060180</a>
NS	Drain Hose Sub-Assy	1	<a href="#">007008000001</a>
2	Drain Hose	1	05232046