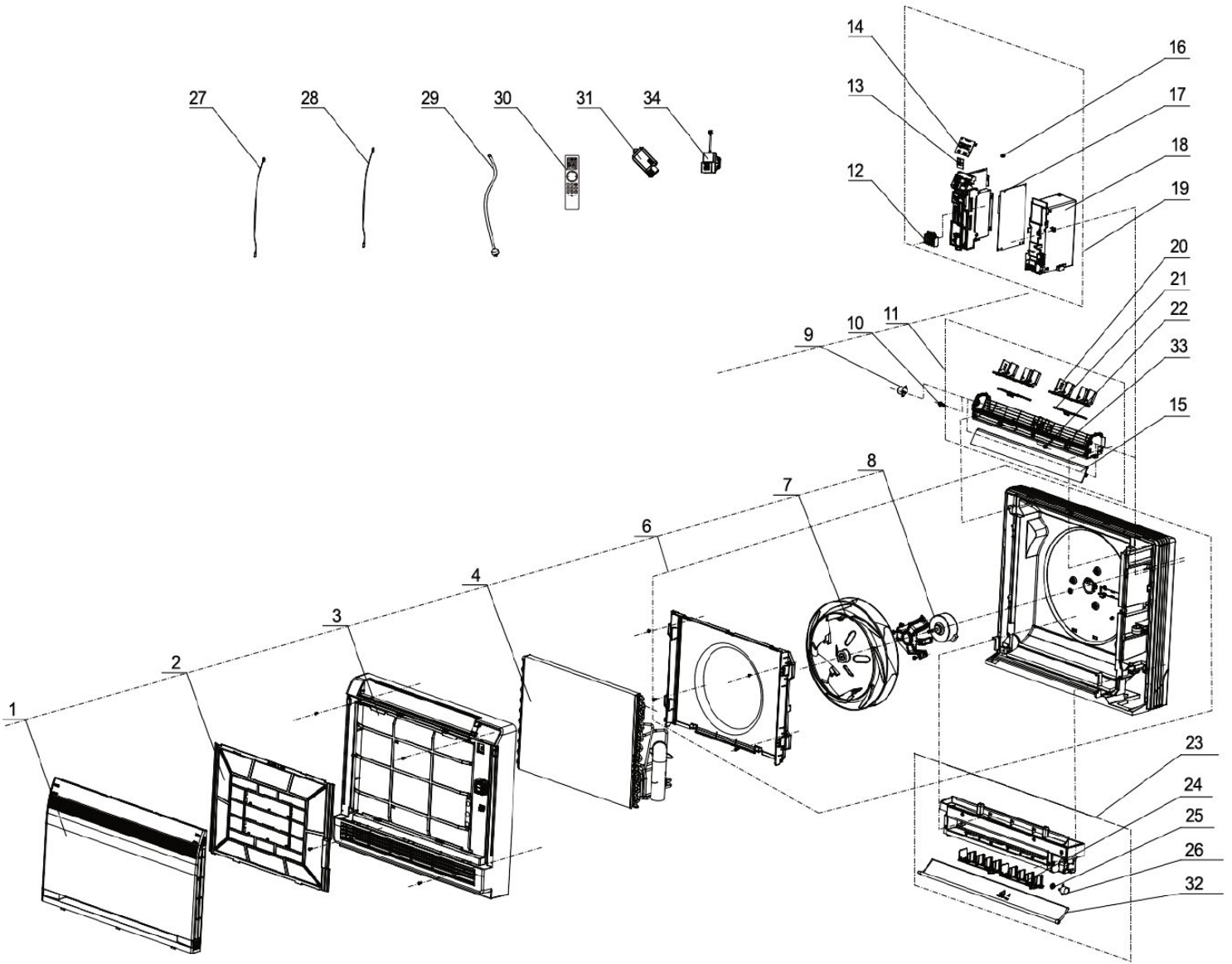


EXPLODED VIEW & PARTS LIST



Model Number:
CON09HP230V1R32AH



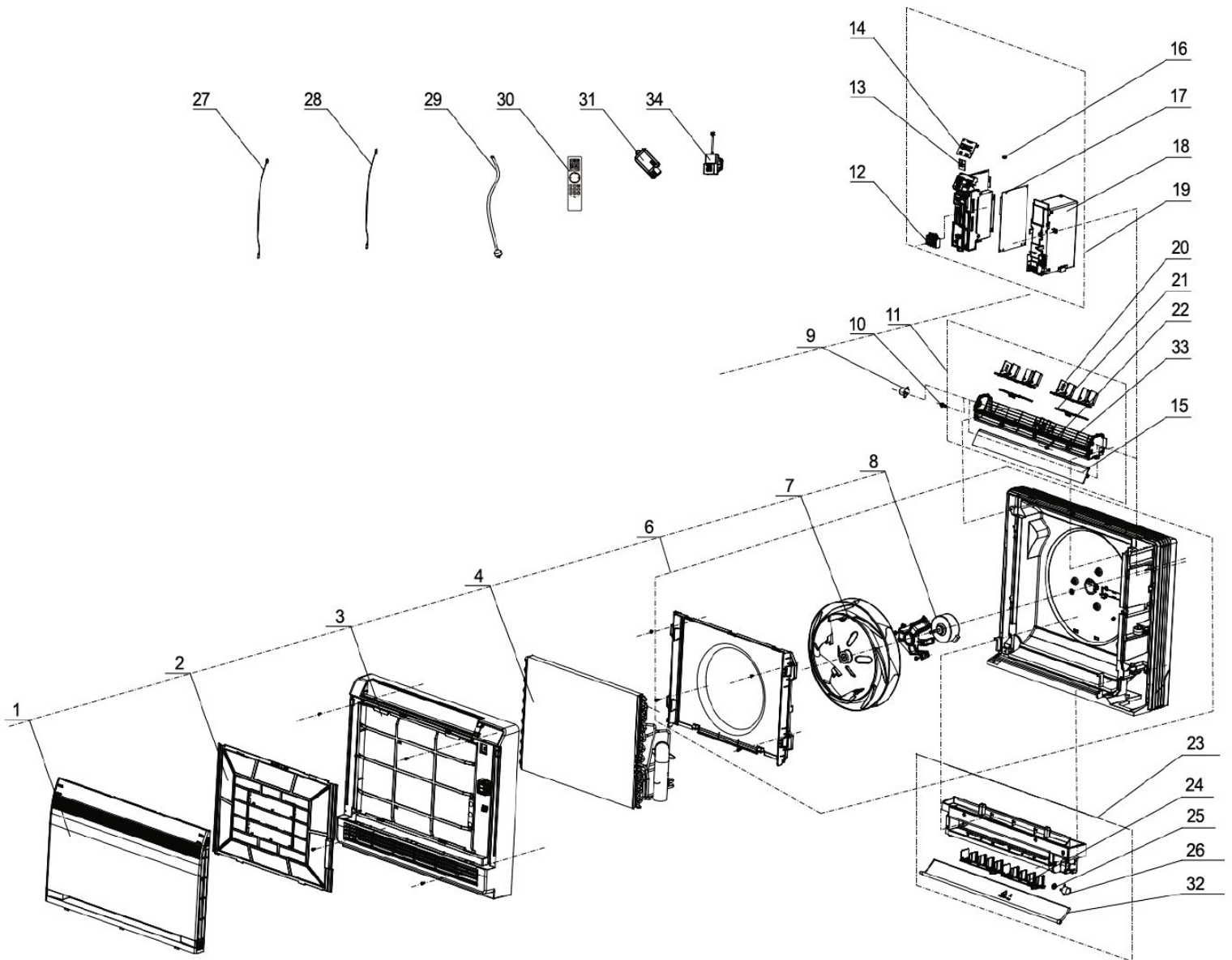
CON09HP230V1R32AH

No.	Part Description	Qty	Part No.
6	Rear Case Assy	1	000001000051
8	Brushless DC Motor (FN30F-ZL)	1	1570410001201
7	Centrifugal Fan	1	10312005
NS	Diversion Circle	1	10371212
34	Gas Sensor (R32)	1	340024060016
4	Evaporator Assy	1	0110010016102
19	Electric Box Assy	1	100002082762
17	Main Board (M838F2AKJ)	1	300002064270
27	Temperature Sensor (15KS-XH-2P-K3 -500mm)	1	3900004508
28	Temperature Sensor (20KT-EH-2P-K3 -400mm)	1	390001060091
16	Jumper	1	4202300111
14	Display Board (D8383)	1	30568131
NS	Signal Wire	1	4003004202
13	Switch Board	1	30112007
12	Terminal Board	1	422000000022
NS	Shield Cover of Electric Box Sub-Assy	1	01592169
23	Water Tray Assy	1	20182141
NS	Water Tray	1	20182140
NS	Foam (Water Tray)	1	12312275
32	Guide Louver (lower)	1	10512146
NS	Bushing (Lower Air Guide Plate)	1	10542035
24	Air Louver (lower)	2	10512144
26	Stepping Motor	1	1521210101
25	Axis (lower step motor)	1	10542034
NS	Foam (Behind Water Tray)	1	12312732
NS	Drainage Hose	1	0523001409
11	Louver Motor Sub-Assy	1	000211060003
15	Guide Louver (upper)	1	10512145
22	Shaft of Guide Louver	2	10542020
10	Crank	1	73012005
20	Air Louver (upper)	2	10512143
33	Rear Grill	1	016001060010
NS	Stepping Motor	1	1521210805
21	Swing Lever	2	10582096
31	Test Board Assy WB01A(RT-11)	1	000409060026
NS	Detecting Plate WB01A(RT-11)	1	300018060402
3	Front Case Assy	1	20012601
NS	Front Case	1	20012600
NS	Display Board Cover	1	20122147
NS	Membrane	1	63062027
NS	Membrane	1	63062029
1	Front Panel Assy	1	20012756
NS	Front Panel	1	20012599S
NS	Front Panel	1	20012599
2	Filter Sub-Assy	1	11122139
30	Remote Controller (YBE1FB5F)	1	305001060180

EXPLODED VIEW & PARTS LIST



Model Number:
CON12HP230V1R32AH



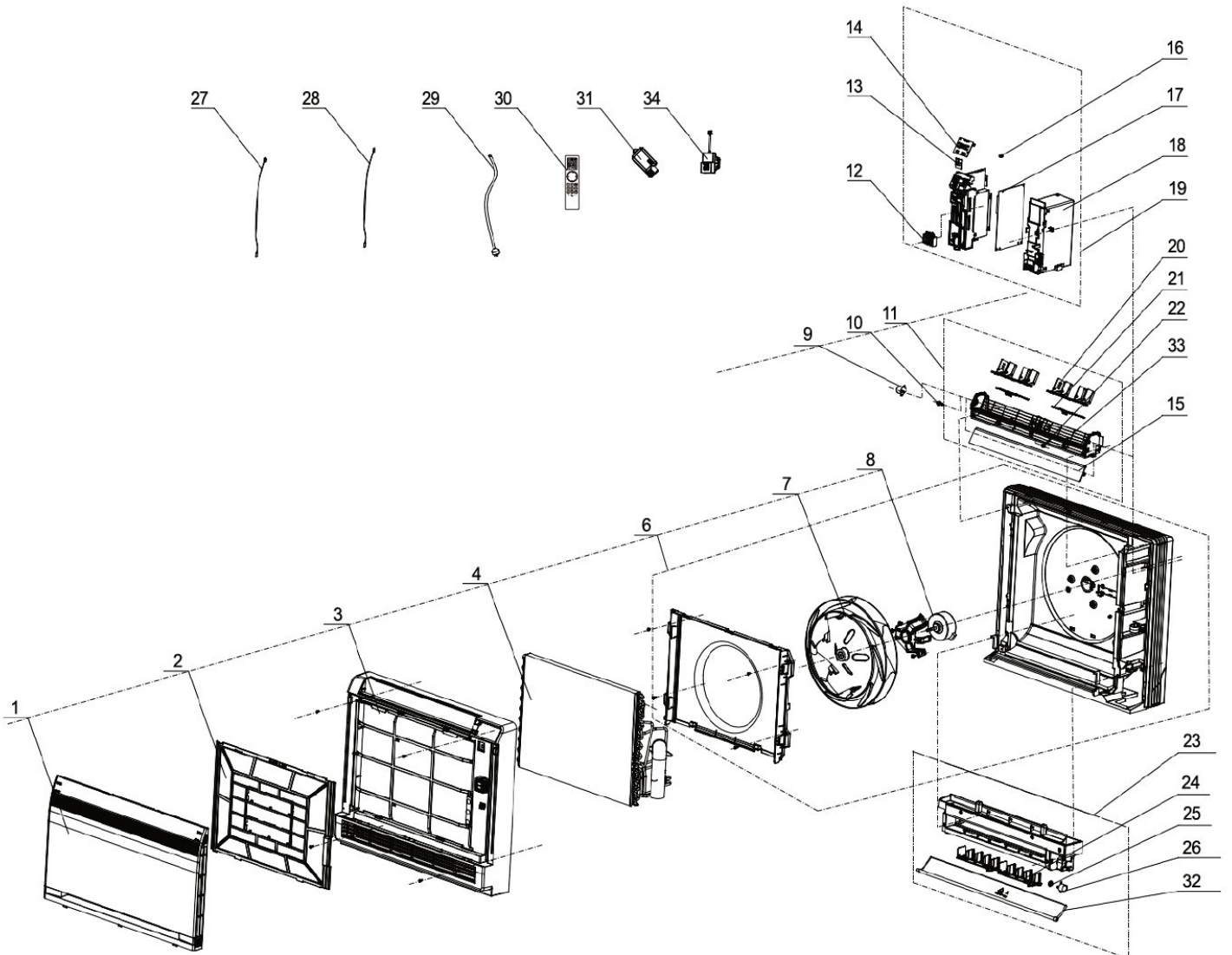
CON12HP230V1R32AH

No.	Part Description	Qty	Part No.
6	Rear Case Assy	1	000001000051
8	Brushless DC Motor (FN30F-ZL)	1	1570410001201
7	Centrifugal Fan	1	10312005
NS	Diversion Circle	1	10371212
34	Gas Sensor (R32)	1	340024060016
4	Evaporator Assy	1	0110010016001
19	Electric Box Assy	1	100002082763
17	Main Board (M838F2AKJ)	1	300002064270
27	Temperature Sensor (15KS-XH-2P-K3 -500mm)	1	3900004508
28	Temperature Sensor (20KT-EH-2P-K3 -400mm)	1	390001060091
16	Jumper	1	4202300112
14	Display Board (D8383)	1	30568131
NS	Signal Wire	1	4003004202
13	Switch Board	1	30112007
12	Terminal Board	1	422000000022
NS	Shield Cover of Electric Box Sub-Assy	1	01592169
23	Water Tray Assy	1	20182141
NS	Water Tray	1	20182140
NS	Foam (Water Tray)	1	12312275
32	Guide Louver (lower)	1	10512146
NS	Bushing (Lower Air Guide Plate)	1	10542035
24	Air Louver (lower)	2	10512144
26	Stepping Motor	1	1521210101
25	Axis (lower step motor)	1	10542034
NS	Foam (Behind Water Tray)	1	12312732
NS	Drainage Hose	1	0523001409
11	Louver Motor Sub-Assy	1	000211060003
15	Guide Louver (upper)	1	10512145
22	Shaft of Guide Louver	2	10542020
10	Crank	1	73012005
20	Air Louver (upper)	2	10512143
33	Rear Grill	1	016001060010
NS	Stepping Motor	1	1521210805
21	Swing Lever	2	10582096
31	Test Board Assy WB01A(RT-11)	1	000409060026
NS	Detecting Plate WB01A(RT-11)	1	300018060402
3	Front Case Assy	1	20012601
NS	Front Case	1	20012600
NS	Display Board Cover	1	20122147
NS	Membrane	1	63062027
NS	Membrane	1	63062029
1	Front Panel Assy	1	20012756
NS	Front Panel	1	20012599S
NS	Front Panel	1	20012599
2	Filter Sub-Assy	1	11122139
30	Remote Controller (YBE1FB5F)	1	305001060180

EXPLODED VIEW & PARTS LIST



Model Number:
CON18HP230V1R32AH



CON18HP230V1R32AH

No.	Part Description	Qty	Part No.
6	Rear Case Assy	1	000001000051
8	Brushless DC Motor (FN30F-ZL)	1	1570410001201
7	Centrifugal Fan	1	10312005
NS	Diversion Circle	1	10371212
34	Gas Sensor (R32)	1	340024060016
4	Evaporator Assy	1	0110010016401
19	Electric Box Assy	1	100002082760
17	Main Board (M838F2AKJ)	1	300002064270
27	Temperature Sensor (15KS-XH-2P-K3 -500mm)	1	3900004508
28	Temperature Sensor (20KT-EH-2P-K3 -400mm)	1	390001060091
16	Jumper	1	4202300116
14	Display Board (D8383)	1	30568131
NS	Signal Wire	1	4003004202
13	Switch Board	1	30112007
12	Terminal Board	1	422000000022
NS	Shield Cover of Electric Box Sub-Assy	1	01592169
23	Water Tray Assy	1	20182141
NS	Water Tray	1	20182140
NS	Foam (Water Tray)	1	12312275
32	Guide Louver (lower)	1	10512146
NS	Bushing (Lower Air Guide Plate)	1	10542035
24	Air Louver (lower)	2	10512144
26	Stepping Motor	1	1521210101
25	Axis (lower step motor)	1	10542034
NS	Foam (Behind Water Tray)	1	12312732
NS	Drainage Hose	1	0523001409
11	Louver Motor Sub-Assy	1	000211060003
15	Guide Louver (upper)	1	10512145
22	Shaft of Guide Louver	2	10542020
10	Crank	1	73012005
20	Air Louver (upper)	2	10512143
33	Rear Grill	1	016001060010
NS	Stepping Motor	1	1521210805
21	Swing Lever	2	10582096
31	Test Board Assy WB01A(RT-11)	1	000409060026
NS	Detecting Plate WB01A(RT-11)	1	300018060402
3	Front Case Assy	1	20012601
NS	Front Case	1	20012600
NS	Display Board Cover	1	20122147
NS	Membrane	1	63062027
NS	Membrane	1	63062029
1	Front Panel Assy	1	20012756
NS	Front Panel	1	20012599S
NS	Front Panel	1	20012599
2	Filter Sub-Assy	1	11122139
30	Remote Controller (YBE1FB5F)	1	305001060180