



SUBMITTAL DATA

FSU36HP230V1R32AH
36000 BTU/H Floor Standing Unit Heat Pump System

Job Name	Location	Date
Purchaser	Engineer	
Submitted to	For	
Unit Designation	Schedule No.	

	
YBE1FB8F	FSU36HP230V1R32AH

GENERAL FEATURES

- AHRI Certificate: [215415558](#)
- Quiet Operation and Multiple Fan Speed
- Swing Louver Control
- Multi-Directional Air Flow
- Wireless Remote with LCD Display Included
- Remote and Panel Control Option
- Low Ambient Cooling and Heating
- (Indoor and Outdoor) Copper Tube / Aluminum Fin
- Blue Colored Fin - 500 Hrs Salt Spray Tested
- New R32 Refrigerant with Refrigerant Sensor

SPECIFICATIONS, FEATURES & FUNCTION SUMMARY

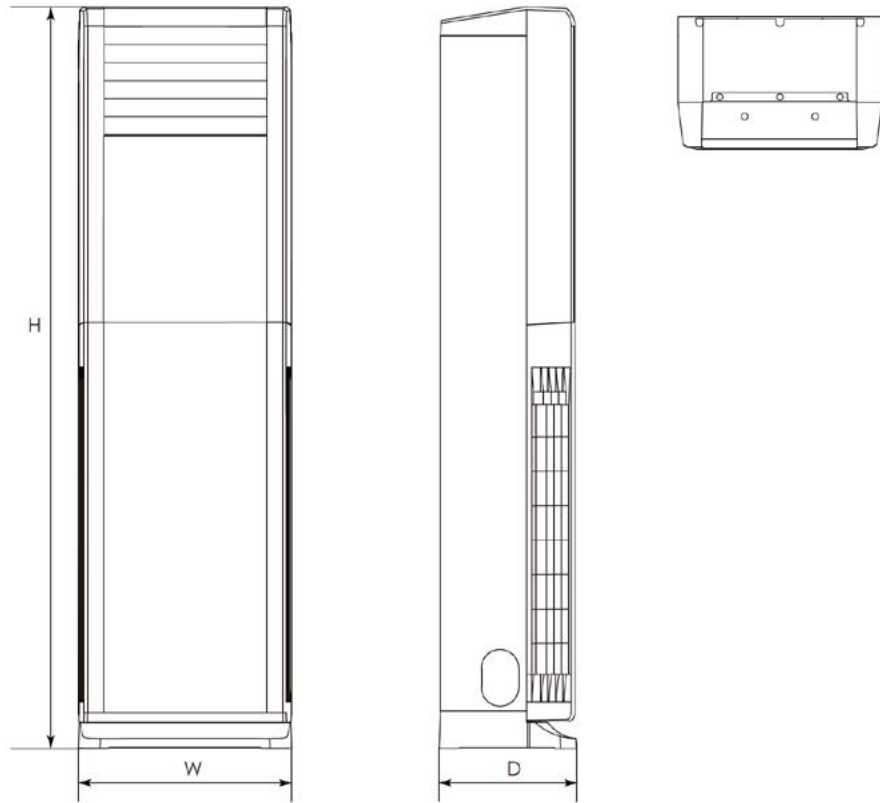
SYSTEM TYPE			HEAT PUMP		FEATURES & FUNCTIONS SUMMARY	
Indoor Model			FSU36HP230V1R32AH		Inverter Type	
Outdoor Model			LIV36HP230V1R32AO		G20	
SYSTEM PERFORMANCE						
Cooling Capacity	Min - Max	Btu/h	25,837 - 45,216		Ultra Low Frequency Torque Control	
	Capacity @95°F	Btu/h	33,600		Yes	
Heating Capacity	Min - Max	Btu/h	18,175 - 37,092		Power Factor Correction	
	Capacity @47°F	Btu/h	34,000		Yes	
	Capacity @17°F	Btu/h	27,200		Compressor Type - Inverter	
	Capacity @5°F	Btu/h	24,400		High Efficiency Rotary	
SEER2			20.0		Basepan With Electric Heater	
EER2			12.00		Yes	
HSPF2			8.5		Indoor & Outdoor Fin Coating (Blue Fin)	
COP @5°F			2.00		Intelligent Defrosting	
Cooling Temperature Range		°F	0 - 118		Intelligent Preheating	
Heating Temperature Range		°F	-13 - 75		Low Voltage Startup	
Refrigerant Type			R32		Memory/Power Failure Recovery	
INDOOR UNIT			FSU36HP230V1R32AH		Self Diagnosis	
Air flow (Min-Max)		CFM	883 - 1148		Yes	
Sound Pressure Level (Min - Max)		dB(A)	48 - 54		Wired Controller Interface	
Dehumidification		pt/hr	7.40		Yes	
External Dimensions (L x D x H)		in	23-7/64 x 15-33/64 x 74-6/64		WiFi Included	
Package Dimension (L x W x H)		in	28-10/64 x 18-32/64 x 83-42/64		No	
Net Weight		lbs	130.1		Indoor Fan Type	
Gross Weight		lbs	156.6		Centrifugal	
OUTDOOR UNIT			LIV36HP230V1R32AO		Multi Fan Speeds	
Sound Pressure Level		dB(A)	62		4 Speeds	
External Dimensions (L x D x H)		in	39-3/8 x 15-13/16 x 29-3/8		Indoor Unit Display	
Package Dimension (L x W x H)		in	42-33/64 x 19-1/64 x 31-57/64		Yes	
Net Weight		lbs	122.4		Auxiliary Electrical Heater	
Gross Weight		lbs	133.4		No	
REFRIGERANT PIPING					Ventilation (Outdoor Air)	
Refrigerant Charge - R32		oz	56.4		No	
Additional Charge		oz/ft	0.4		REMOTE CONTROLLER FUNCTIONS	
Line Set Sized by Indoor Unit (Liquid - Gas)		in	1/4 - 5/8		Auto Mode	
Line Set Size (Liquid - Gas) - Flared Connections		in	1/4 - 5/8		Yes	
Pre-Charge Length		ft	25		Auto Clean	
Pipe Length (Min - Max)		ft	10 - 131		Yes	
Max. Pipe Elevation		ft	82		Auto Fan	
ELECTRICAL					Auto Swing (Horizontal Auto Swing)	
Power Supply			208-230V / 1Ph / 60Hz (Powered by the Outdoor Unit)		Yes	
Voltage Range (Min - Max)		VAC	187 - 253		Auto Swing - 180° (Vertical Auto Swing)	
Rated Current - Cooling		A	20		Yes	
Rated Current - Heating		A	20		Clock	
MCA		A	23		Yes	
MOCP		A	35		Dry Mode	
Suggested Breaker Size		A	25		Yes	
Main Power Wire Size		AWG	Per Local Code		Dry Anti-Mildew (X-Fan) Mode	
Interconnecting Wire Size		AWG	14 / 4		Yes	
					Energy Saving Mode	
					Yes	
					Dirty Filter Alert	
					No	
					Fan Speed Control (7 Speeds)	
					Yes	
					I Feel Function	
					No	
					Privacy Lock	
					Yes	
					Quiet Mode	
					No	
					Intelligent Preheating	
					Yes	
					Condensate Pump	
					No	
					Timer Mode	
					Yes	
					Turbo Mode	
					Yes	
					Display On/Off Control	
					Yes	
					Intelligent Defrosting	
					Yes	
					Power Failure Mode	
					Yes	

DIMENSIONS

INDOOR UNIT

Unit: inch

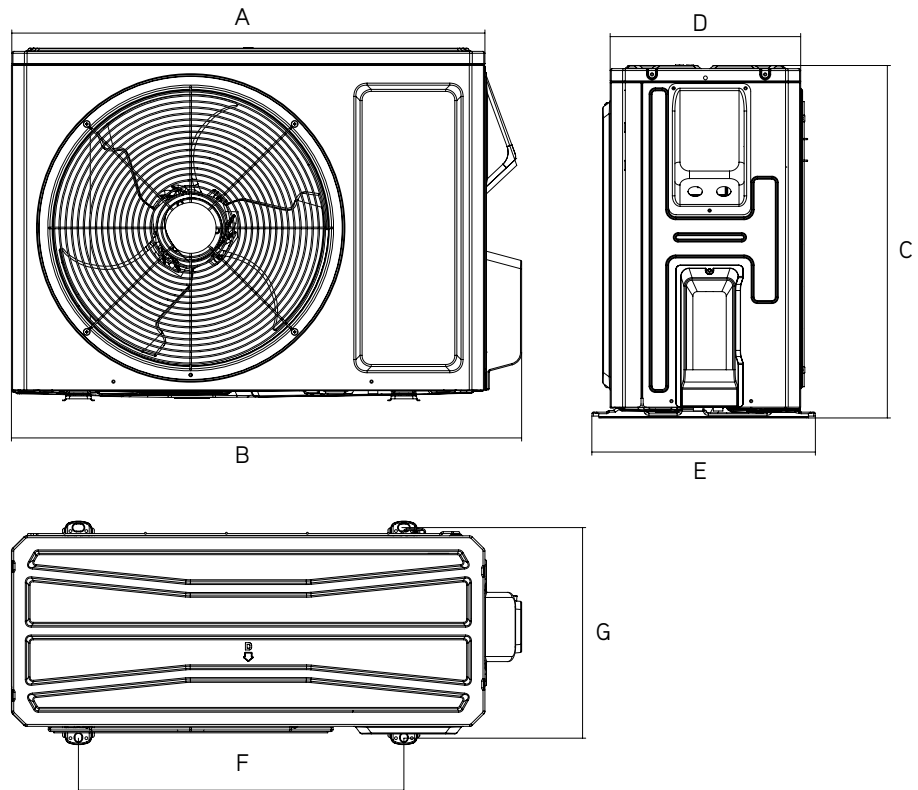
FSU36HP230V1R32AH	
DIMENSIONS	
W	23 7/64
H	74 3/32
D	15 33/64



OUTDOOR UNIT

Unit: inch

LIV36HP230V1R32AO	
DIMENSIONS	
A	36 11/32
B	39 3/8
C	29 3/8
D	14 17/32
E	16 13/16
F	24 1/64
G	15 35/64



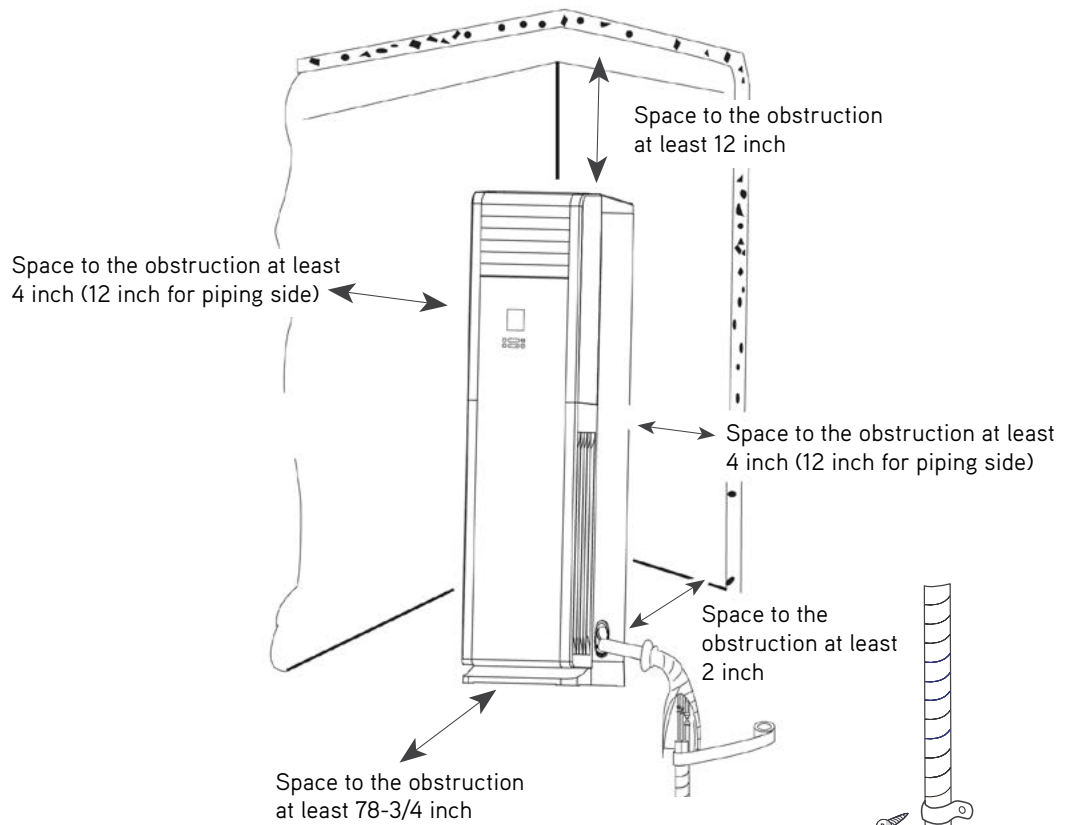
CLEARANCES

INDOOR UNIT

Minimum clearance

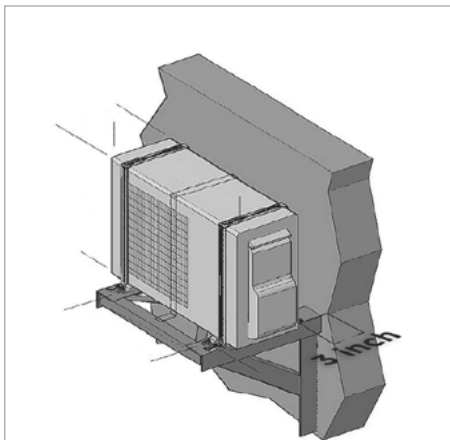
DIMENSIONS	
A	60
B	12
C	39
D	6
E	90

Unit: inch



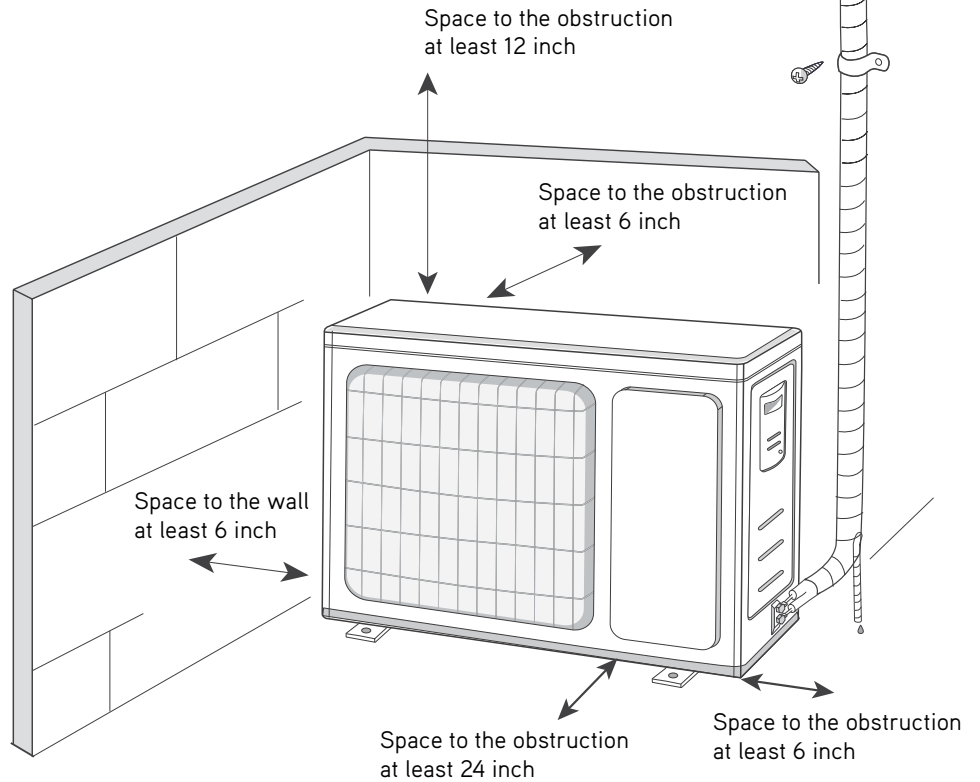
OUTDOOR UNIT

Minimum clearance



NOTE:

If bottom of the unit is free of airflow obstructions similar to the mounting bracket figure, the clearance to the wall on the back can be reduced to 3 inches.



Specifications are subject to change without notice. Manufacturer reserves the right to discontinue or modify specifications or designs without notice or without incurring obligations. All Rights reserved.