
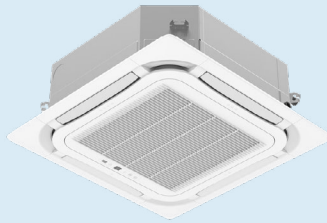



SUBMITTAL DATA

CAS36HP230V1R32AH
36000 BTU/H Cassette Heat Pump System

Job Name	Location	Date
Purchaser	Engineer	
Submitted to	For	
Unit Designation	Schedule No.	
		
YBE1FB5F	CAS36HP230V1R32AH	XE72-44/E

GENERAL FEATURES

- AHRI Certificate: [215415560 \(Livo R32 36Btu/h\)](#)
- High Efficiency DC Inverter Technology
- Compact and Quiet Design
- 4 - Way Discharge Air
- Swing Louver Control
- Internal Condensate Drain Pump
- Wireless Remote with LCD Display Included
- XE72-44/E Wired Controller Included
- Low Ambient Cooling and Heating
- (Indoor and Outdoor) Copper Tube / Aluminum Fin
- Blue Colored Fin - 500 Hrs Salt Spray Tested
- New R32 Refrigerant with Refrigerant Sensor

SPECIFICATIONS, FEATURES & FUNCTION SUMMARY

SYSTEM TYPE		HEAT PUMP	
Indoor Model		CAS36HP230V1R32AH	
Outdoor Model		LIV36HP230V1R32AO	
SYSTEM PERFORMANCE			
Cooling Capacity	Min - Max	Btu/h	7,850 - 37,500
	Rated Capacity @95°F	Btu/h	33,600
Heating Capacity	Min - Max	Btu/h	10,000 - 37,500
	Rated Capacity @47°F	Btu/h	34,000
	Rated Capacity @17°F	Btu/h	27,200
	Rated Capacity @5°F	Btu/h	23,400
SEER2		21.0	
EER2		11.95	
HSPF2		8.5	
COP @5°F		1.90	
Cooling Temperature Range		°F	-4 - 122
Heating Temperature Range		°F	-13 - 75
Refrigerant Type		R32	
INDOOR UNIT		CAS36HP230V1R32AH	
Air flow (Min-Max)		CFM	665 - 1071
Sound Pressure Level (Min - Max)		dB(A)	38 - 52
Dehumidification		pt/hr	7.82
External Dimensions (L x D x H)		in	33-5/64 x 33-5/64 x 9-29/64
Package Dimension (L x W x H)		in	36-47/64 x 35-35/64 x 10-45/64
Net Weight		lbs	50.7
Gross Weight		lbs	63.9
CASSETTE GRILLE (REQUIRED)		GREETF06	
Grille Dimension (L x D x H)		in	37-13/32 x 37-13/32 x 2-3/64
Package Dimension (L x W x H)		in	40-43/64 x 40-55/64 x 4-13/32
Weight (Net / Gross)		lbs	13.23 / 20.948
OUTDOOR UNIT		LIV36HP230V1R32AO	
Sound Pressure Level		dB(A)	62
External Dimensions (L x D x H)		in	39-3/8 x 15-13/16 x 29-3/8
Package Dimension (L x W x H)		in	42-33/64 x 19-1/64 x 31-57/64
Net Weight		lbs	122.4
Gross Weight		lbs	133.4
REFRIGERANT PIPING			
Refrigerant Charge - R32		oz	56.4
Additional Charge		oz/ft	0.4
Indoor Piping Connection (Liquid - Gas)*		in	1/4 - 5/8
Outdoor Piping Connection (Liquid - Gas)		in	1/4 - 5/8
Pre-Charge Length		ft	25
Pipe Length (Min - Max)		ft	10 - 131
Max. Pipe Elevation		ft	82
ELECTRICAL			
Power Supply		208-230V / 1Ph / 60Hz (Powered by the Outdoor Unit)	
Voltage Range (Min - Max)		VAC	187 - 253
Rated Current - Cooling		A	20
Rated Current - Heating		A	20
MOCP		A	35
MCA		A	24
Main Power Wire Size		AWG	Per Local Code
Interconnecting Wire Size		AWG	14 / 4
FEATURES & FUNCTIONS SUMMARY			
Inverter Type		G20	
Ultra Low Frequency Torque Control		Yes	
Power Factor Correction		Yes	
Compressor Type - Inverter		High Efficiency Rotary	
Basepan With Electric Heater		Yes	
Indoor & Outdoor Fin Coating (Blue Fin)		Yes	
Intelligent Defrosting		Yes	
Intelligent Preheating		Yes	
Low Voltage Startup		Yes	
Memory/Power Failure Recovery		Yes	
Self Diagnosis		Yes	
Wired Controller Interface		Yes	
WiFi Included		No	
Indoor Fan Type		Centrifugal	
Multi Fan Speeds		7 Speeds	
Indoor Unit Display		Yes	
Auxiliary Electrical Heater		No	
Ventilation (Outdoor Air)		No	
REMOTE CONTROLLER FUNCTIONS			
Auto Mode		Yes	
Auto Fan		Yes	
Auto Swing (Horizontal Auto Swing)		No	
Auto Swing - 180° (Vertical Auto Swing)		Yes	
Clock		Yes	
Dry Mode		Yes	
Dry Anti-Mildew (X-Fan) Mode		Yes	
Energy Saving Mode		Yes	
Dirty Filter Alert		No	
Fan Speed Control (7 Speeds)		Yes	
I Feel Function		Yes	
Privacy Lock		Yes	
Quiet Mode		Yes	
Room Temperature Display		No	
Sleep Mode		Yes	
3 Sleep Mode Options		Yes	
Timer Mode		Yes	
Turbo Mode		Yes	
Display On/Off Control		Yes	
Freeze Guard Mode		Yes	
Power Failure Mode		Yes	

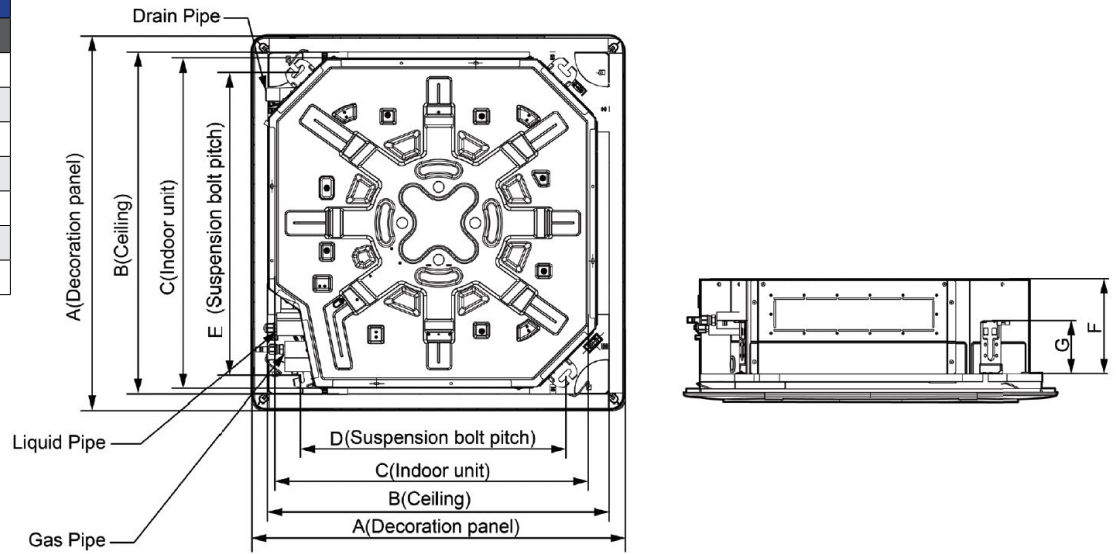
* Refrigerant piping must be sized by the indoor unit connections. If the outdoor unit connection is a different size from the indoor unit connection, a flare adapter must be purchased separately and installed on the outdoor unit.

DIMENSIONS

INDOOR UNIT

Unit: inch

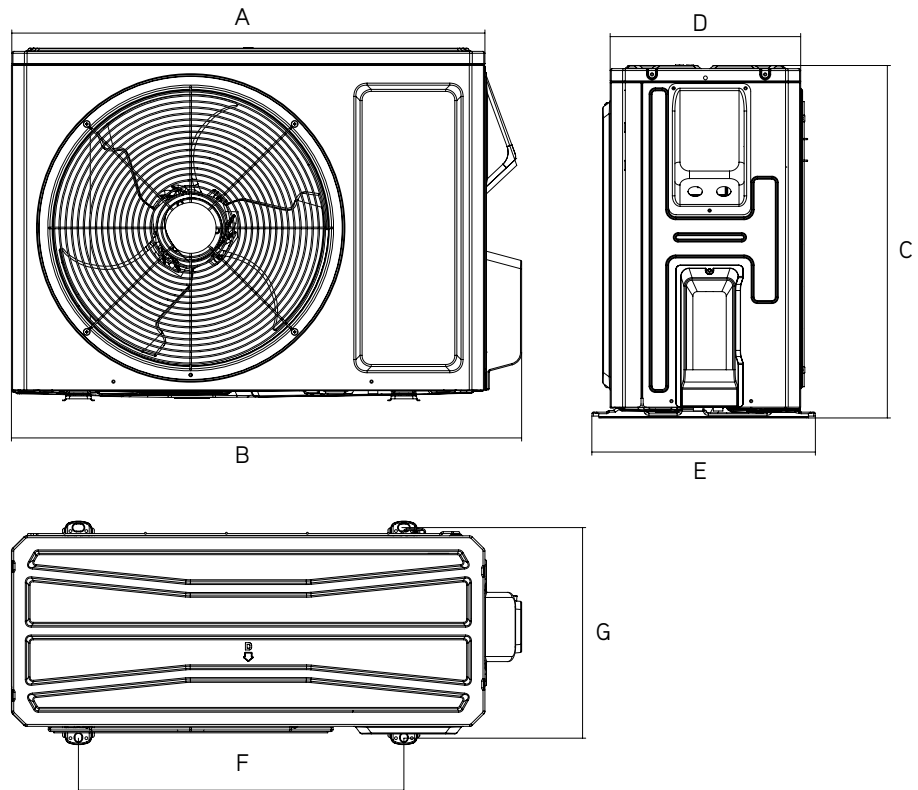
CAS36HP230V1R32AH	
DIMENSIONS	
A	37 13/32
B	35 3/64
C	33 5/64
D	26 49/64
E	30 45/64
F	9 29/64
G	5 5/16



OUTDOOR UNIT

Unit: inch

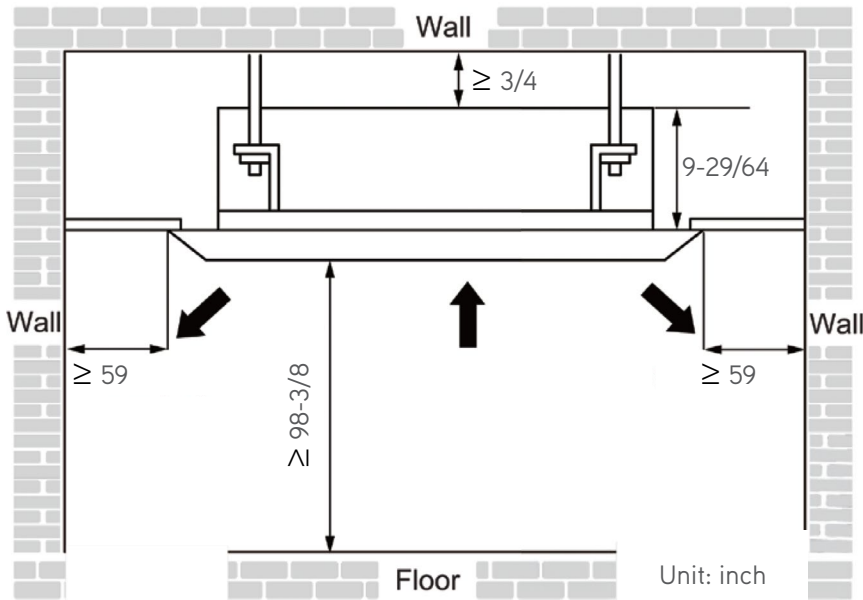
LIV36HP230V1R32AO	
DIMENSIONS	
A	36 11/32
B	39 3/8
C	29 3/8
D	14 17/32
E	16 13/16
F	24 1/64
G	15 35/64



CLEARANCES

INDOOR UNIT

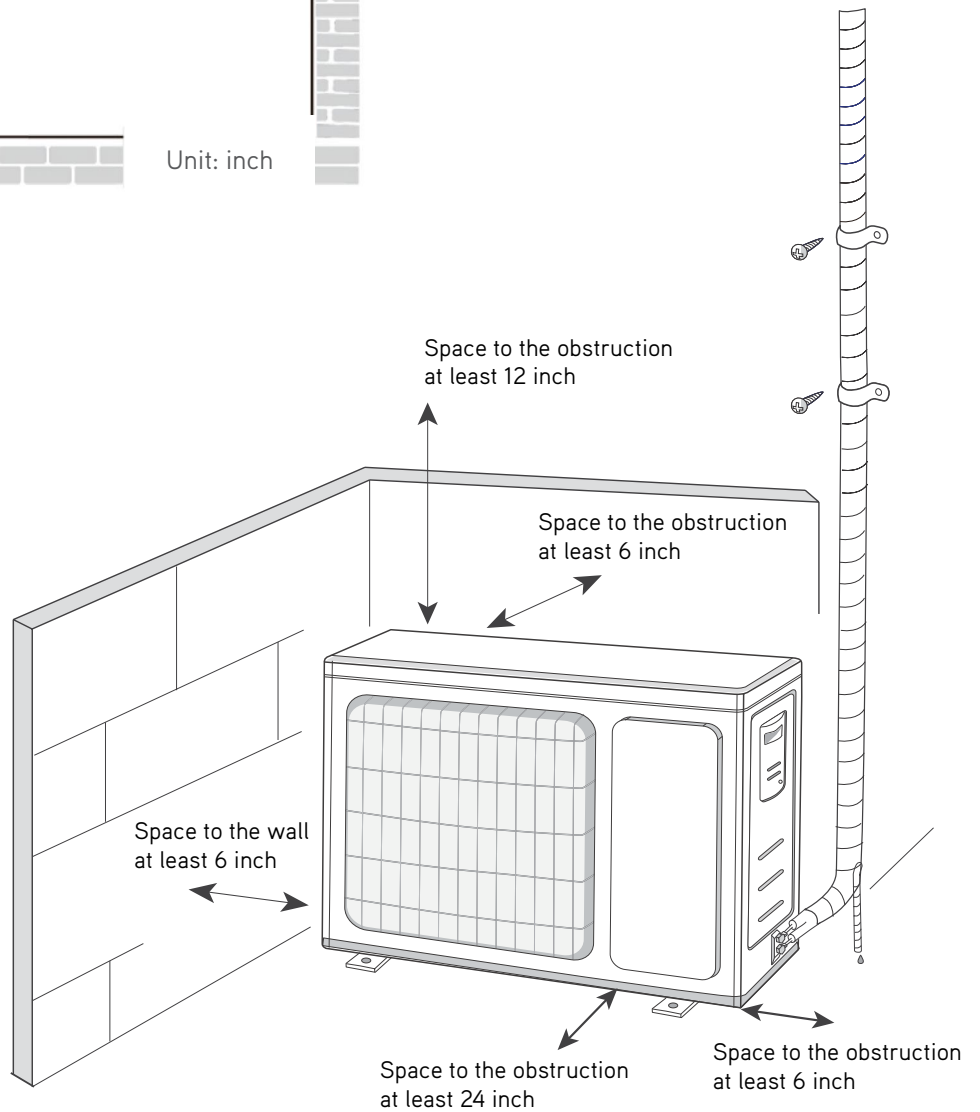
Minimum clearance



OUTDOOR UNIT

Minimum clearance

NOTE:
If bottom of the unit is free of airflow obstructions similar to the mounting bracket figure, the clearance to the wall on the back can be reduced to 3 inches.



Specifications are subject to change without notice. Manufacturer reserves the right to discontinue or modify specifications or designs without notice or without incurring obligations. All Rights reserved.