




SUBMITTAL DATA

CAS24HP230V1R32AH
24000 BTU/H Cassette Heat Pump System

Job Name	Location	Date
Purchaser	Engineer	
Submitted to	For	
Unit Designation	Schedule No.	

		
YBE1FB5F	CAS24HP230V1R32AH	XE72-44/E

GENERAL FEATURES

- AHRI Certificate: [215415516 \(Vireo R32\)](#), [215415519 \(Envo R32\)](#), [215415445 \(Sapphire R32\)](#)
- High Efficiency DC Inverter Technology
- Compact and Quiet Design
- 4 - Way Discharge Air
- Swing Louver Control
- Internal Condensate Drain Pump
- Wireless Remote with LCD Display Included
- XE72-44/E Wired Controller Included
- Low Ambient Cooling and Heating
- (Indoor and Outdoor) Copper Tube / Aluminum Fin
- Blue Colored Fin - 500 Hrs Salt Spray Tested
- New R32 Refrigerant with Refrigerant Sensor

SPECIFICATIONS, FEATURES & FUNCTION SUMMARY

SYSTEM TYPE			HEAT PUMP		
Indoor Model			CAS24HP230V1R32AH		
Outdoor Model			VIR24HP230V1R32AO	ENV24HP230V1R32AO	SAP24HP230V1R32AO
SYSTEM PERFORMANCE					
Cooling Capacity	Min - Max	Btu/h	3,100 - 29,000	3,100 - 29,000	5,000 - 31,400
	Rated Capacity @95°F	Btu/h	22,000	22,000	22,000
Heating Capacity	Min - Max	Btu/h	3,920 - 29,000	3,920 - 29,000	5,120 - 32,400
	Rated Capacity @47°F	Btu/h	24,000	24,000	24,000
	Rated Capacity @17°F	Btu/h	19,400	19,400	20,000
	Rated Capacity @5°F	Btu/h	16,800	16,800	17,000
SEER2			22.5	22.5	23.0
EER2			11.6	11.6	12.5
HSPF2			9.0	9.0	9.0
COP @5°F			1.80	1.80	1.80
Cooling Temperature Range		°F	-20 - 122		
Heating Temperature Range		°F	-22 - 86		
Refrigerant Type			R32		
INDOOR UNIT			CAS24HP230V1R32AH		
Air flow (Min-Max)		CFM	488 - 647		
Sound Pressure Level (Min - Max)		dB(A)	38 - 44		
Dehumidification		pt/hr	4.23		
External Dimensions (L x D x H)		in	33-5/64 x 33-5/64 x 9-29/64		
Package Dimension (L x W x H)		in	37-29/32 x 37-29/32 x 12-51/64		
Net Weight		lbs	63.9		
Gross Weight		lbs	83.8		
CASSETTE GRILLE (REQUIRED)			GREETF06		
Grille Dimension (L x D x H)		in	37-13/32 x 37-13/32 x 2-3/64		
Package Dimension (L x W x H)		in	40-43/64 x 40-55/64 x 4-13/32		
Weight (Net / Gross)		lbs	13.23 / 20.948		
OUTDOOR UNIT			VIR24HP230V1R32AO	ENV24HP230V1R32AO	SAP24HP230V1R32AO
Sound Pressure Level		dB(A)	58	61	62
External Dimensions (L x D x H)		in	37-23/32 x 15-53/64 x 25-63/64	39-3/8 x 16-13/16 x 29-3/8	39-3/8 x 16-13/16 x 29-3/8
Package Dimension (L x W x H)		in	40-5/8 x 17-61/64 x 29-1/64	42-33/64 x 19-1/64 x 31-57/64	42-33/64 x 19-1/64 x 31-57/64
Net Weight		lbs	92.6	103.6	115.8
Gross Weight		lbs	102.5	114.7	126.8
REFRIGERANT PIPING					
Refrigerant Charge - R32		oz	42.3	49.4	56.4
Additional Charge		oz/ft	0.4	0.4	0.4
Indoor Piping Connection (Liquid - Gas)*		in	1/4 - 5/8		
Outdoor Piping Connection (Liquid - Gas)		in	1/4 - 5/8	1/4 - 5/8	1/4 - 5/8
Pre-Charge Length		ft	25		
Pipe Length (Min - Max)		ft	10 - 131	10 - 131	10 - 131
Max. Pipe Elevation		ft	82	82	82
ELECTRICAL					
Power Supply			208-230V / 1Ph / 60Hz (Powered by the Outdoor Unit)		
Voltage Range (Min - Max)		VAC	187 - 253		
Rated Current - Cooling		A	13.5	13.5	13.5
Rated Current - Heating		A	16	16	20.5
MOCP		A	30	30	30
MCA		A	22	22	25.5
Main Power Wire Size		AWG	Per Local Code		
Interconnecting Wire Size		AWG	14 / 4		

* Refrigerant piping must be sized by the indoor unit connections. If the outdoor unit connection is a different size from the indoor unit connection, a flare adapter must be purchased separately and installed on the outdoor unit.

FEATURES & FUNCTIONS SUMMARY	
Inverter Type	G20
Ultra Low Frequency Torque Control	Yes
Power Factor Correction	Yes
Compressor Type - Inverter	High Efficiency Rotary
Basepan With Electric Heater	Yes
Indoor & Outdoor Fin Coating (Blue Fin)	Yes
Intelligent Defrosting	Yes
Intelligent Preheating	Yes
Low Voltage Startup	Yes
Memory/Power Failure Recovery	Yes
Self Diagnosis	Yes
Wired Controller Interface	Yes
WiFi Included	No
Indoor Fan Type	Centrifugal
Multi Fan Speeds	7 Speeds
Indoor Unit Display	Yes
Auxiliary Electrical Heater	No
Ventilation (Outdoor Air)	No
REMOTE CONTROLLER FUNCTIONS	
Auto Mode	Yes
Auto Fan	Yes
Auto Swing (Horizontal Auto Swing)	No
Auto Swing - 180° (Vertical Auto Swing)	Yes
Clock	Yes
Dry Mode	Yes
Dry Anti-Mildew (X-Fan) Mode	Yes
Energy Saving Mode	Yes
Dirty Filter Alert	No
Fan Speed Control (7 Speeds)	Yes
I Feel Function	Yes
Privacy Lock	Yes
Quiet Mode	Yes
Room Temperature Display	No
Sleep Mode	Yes
3 Sleep Mode Options	Yes
Timer Mode	Yes
Turbo Mode	Yes
Display On/Off Control	Yes
Freeze Guard Mode	Yes
Power Failure Mode	Yes

NOTE:

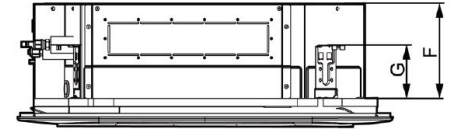
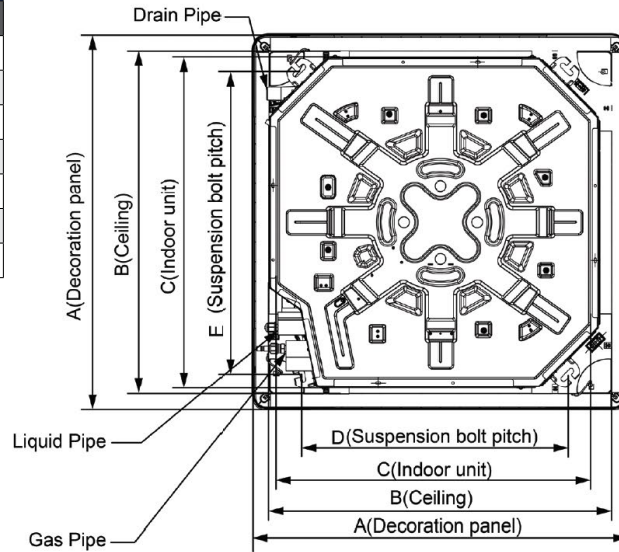
Please check the Multi-zone submittals for Non-Ducted or Mixed Performance table.

DIMENSIONS

INDOOR UNIT

Unit: inch

CAS24HP230V1R32AH	
DIMENSIONS	
A	37 13/32
B	34 1/4
C	33 5/64
D	26 49/64
E	30 45/64
F	9 29/64
G	5 5/16



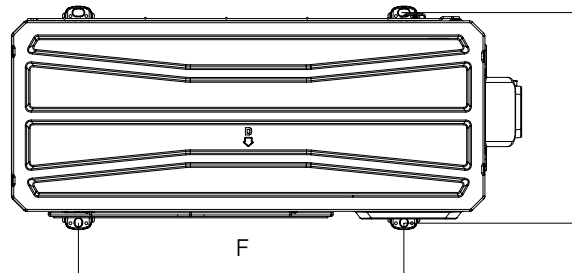
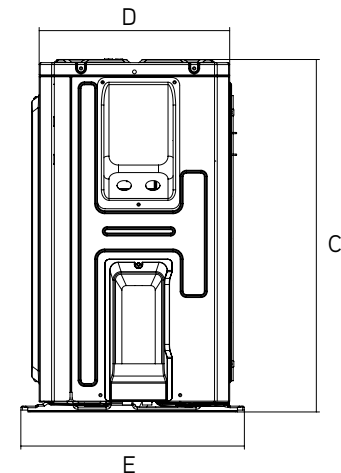
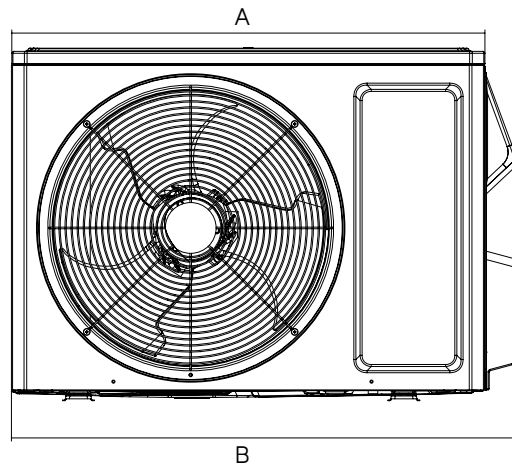
OUTDOOR UNIT

Unit: inch

VIR24HP230V1R32AO	
DIMENSIONS	
A	35
B	37 23/32
C	25 63/64
D	13 25/64
E	15 53/64
F	22 7/16
G	14 39/64

ENV24HP230V1R32AO	
DIMENSIONS	
A	36 11/32
B	39 3/8
C	29 3/8
D	14 17/32
E	16 13/16
F	24 1/64
G	15 35/64

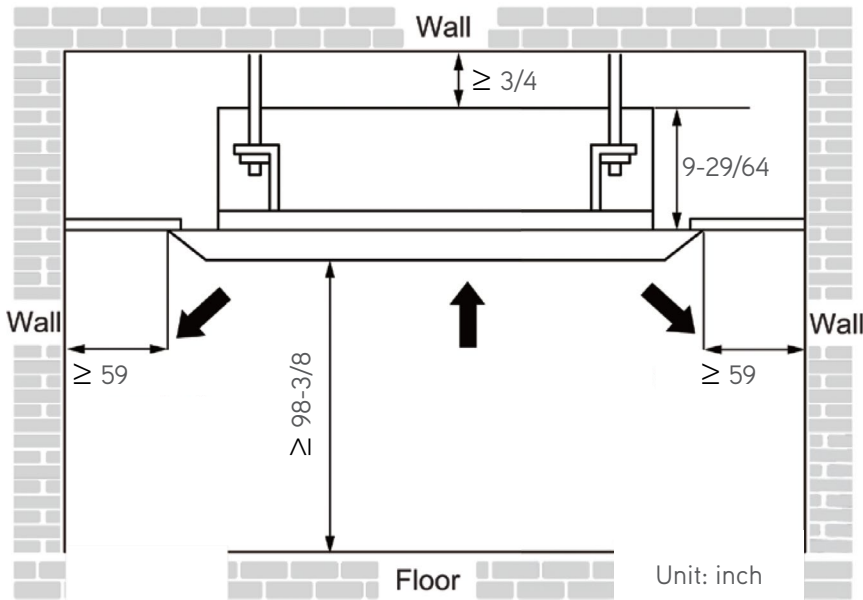
SAP24HP230V1R32AO	
DIMENSIONS	
A	36 11/32
B	39 3/8
C	29 3/8
D	14 17/32
E	16 13/16
F	24 1/64
G	15 35/64



CLEARANCES

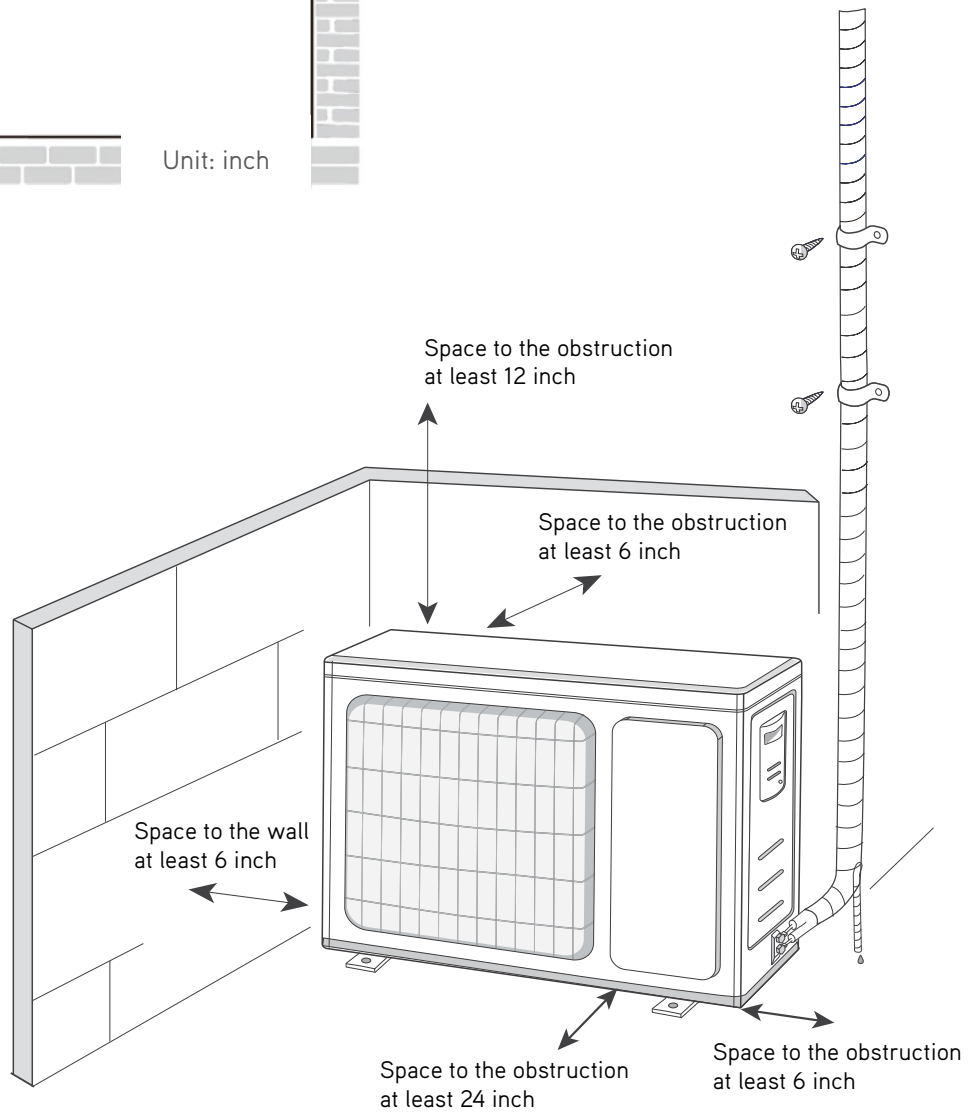
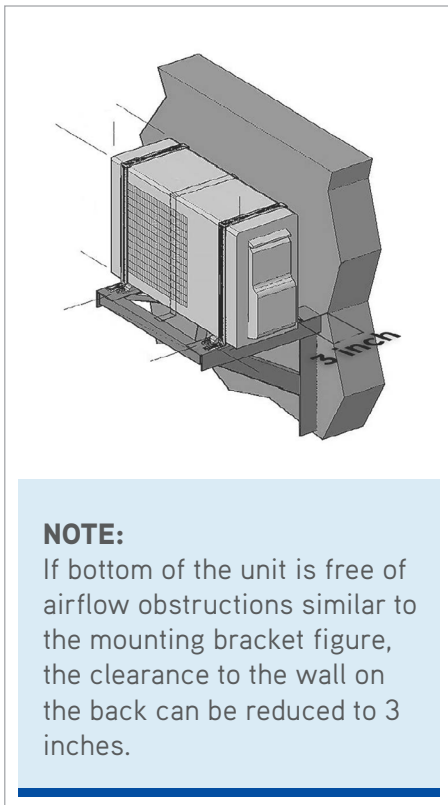
INDOOR UNIT

Minimum clearance



OUTDOOR UNIT

Minimum clearance



Specifications are subject to change without notice. Manufacturer reserves the right to discontinue or modify specifications or designs without notice or without incurring obligations. All Rights reserved.

GREECOMFORT.COM/SYSTEM-DOCUMENTATION