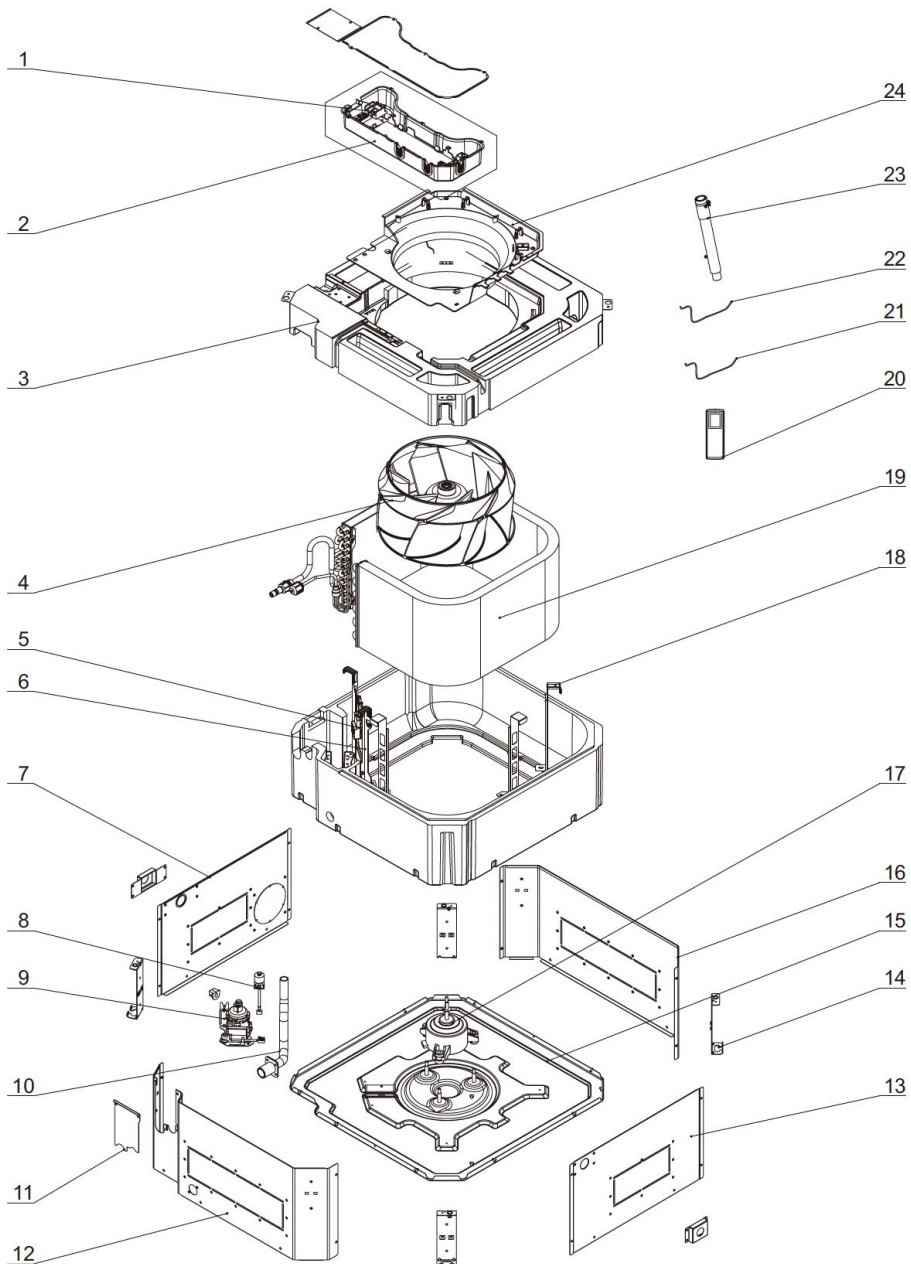


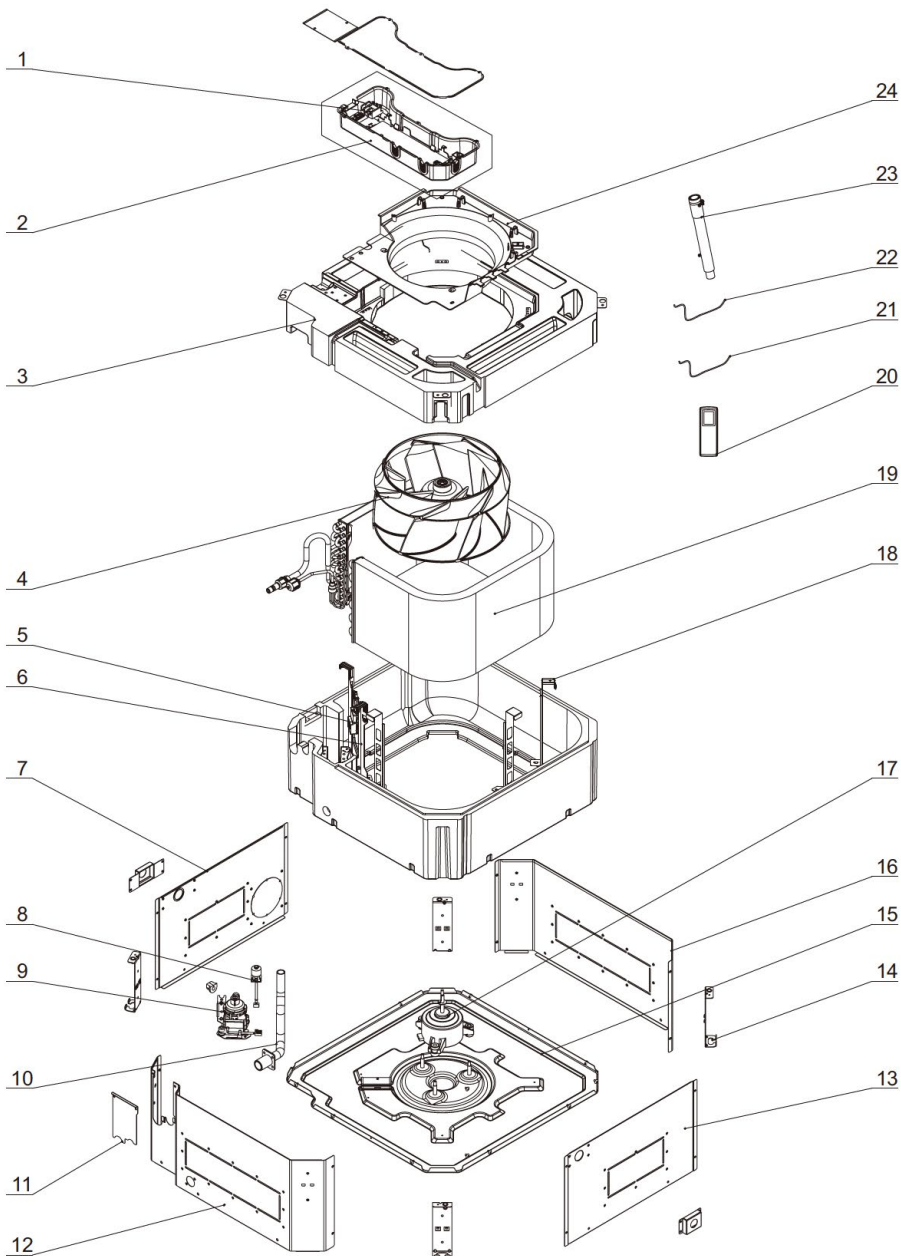
EXPLODED VIEW & PARTS LIST



CAS09HP230V1R32AH

No.	Part Description	Qty	Part No.
NS	Shell Assy	1	011633060005
15	Seat Board Sub-Assy	1	017080060023
12	Side Plate	1	012010060176
16	Side Plate	1	012010060175
13	Side Plate	1	01201006017702
7	Side Plate	1	01201006017703
17	Brushless DC Motor B-FN30C-ZL	1	150104060012
19	Evaporator Assy	1	011001061935
NS	Evaporator Assy	1	011001061936
NS	Current Divider	1	035032060048
5	Gas Sensor (R32)	1	34002406001602
18	Support	1	012060061048
10	Drain Pipe	1	200070060005
8	Liquid Level Switch	1	430024000005
9	Water Pump PSB-0.024/1.2-A	1	4313800005802
4	Centifugal Fan	1	103003060008
NS	Block gasket	1	70413008
14	Mounting Rack Sub-Assy	4	017044060011
3	Water Tray Assy	1	000069060065
24	Flow Guide Loop	1	200150060003
2	Electric Box Assy	1	100002082767
NS	Main Board Z4M551WJ	1	300002064306
NS	Jumper (CAP 2.5mm BLUE)	1	4202021908
1	Terminal Board	1	422000060015
11	Sealplate	1	012034060119
22	Room Sensor 15KS-XH-2P-K3	1	39000191
21	Temperature Sensor 20KT-EH-2P-K3	1	390001921
23	Drain Hose Sub-Assy	1	007008000001
NS	Drain Hose	1	05232046
20	Remote Controller YBE1FB5F	1	305001060180

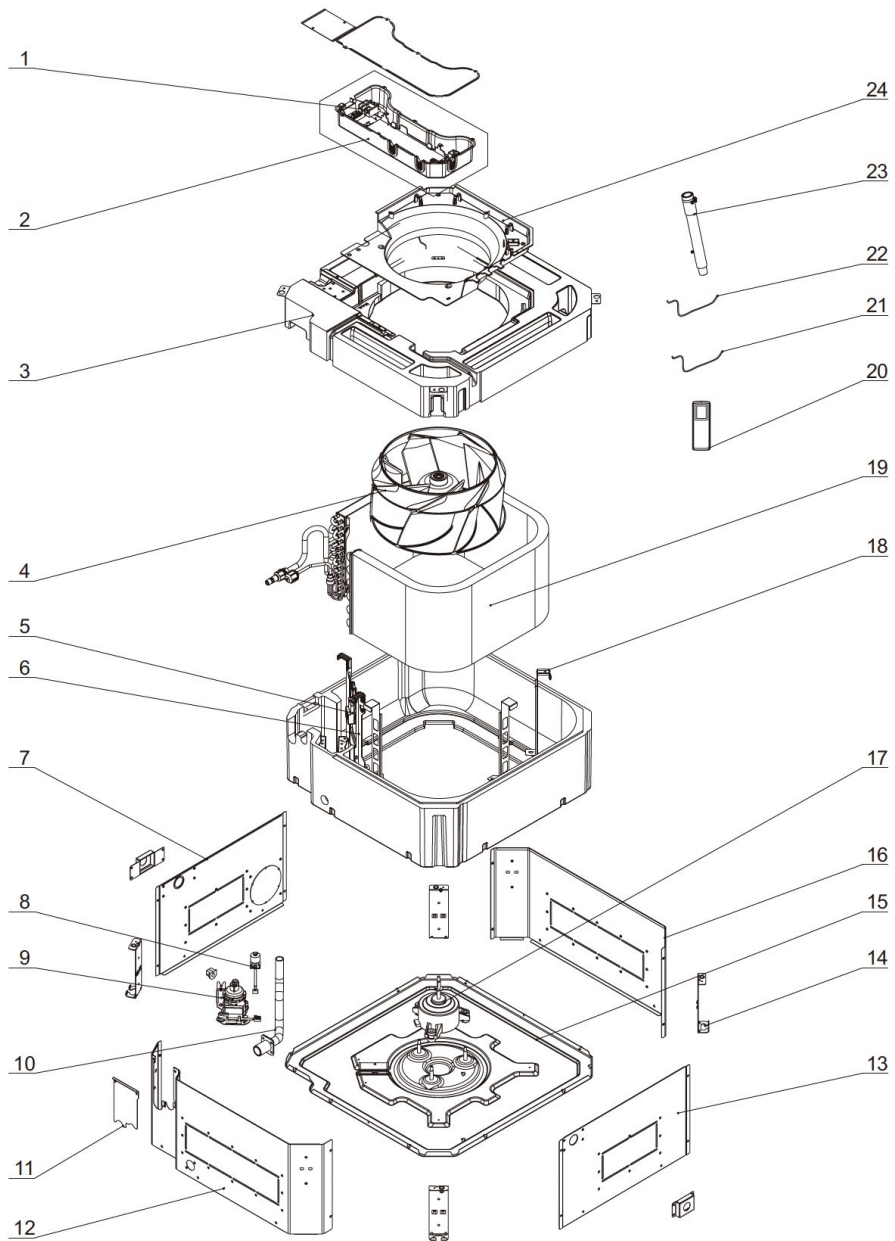
EXPLODED VIEW & PARTS LIST



CAS12HP230V1R32AH

No.	Part Description	Qty	Part No.
NS	Shell Assy	1	011633060005
15	Seat Board Sub-Assy	1	017080060023
12	Side Plate	1	012010060176
16	Side Plate	1	012010060175
13	Side Plate	1	01201006017702
7	Side Plate	1	01201006017703
17	Brushless DC Motor B-FN30C-ZL	1	150104060012
19	Evaporator Assy	1	011001061935
NS	Evaporator Assy	1	011001061936
NS	Current Divider	1	035032060048
5	Gas Sensor (R32)	1	34002406001602
18	Support	1	012060061048
10	Drain Pipe	1	200070060005
8	Liquid Level Switch	1	430024000005
9	Water Pump PSB-0.024/1.2-A	1	4313800005802
4	Centifugal Fan	1	103003060008
NS	Block gasket	1	70413008
14	Mounting Rack Sub-Assy	4	017044060011
3	Water Tray Assy	1	000069060065
24	Flow Guide Loop	1	200150060003
2	Electric Box Assy	1	100002082767
NS	Main Board Z4M551WJ	1	300002064306
NS	Jumper (CAP 2.5mm BLUE)	1	4202021908
1	Terminal Board	1	422000060015
11	Sealplate	1	012034060119
22	Room Sensor 15KS-XH-2P-K3	1	39000191
21	Temperature Sensor 20KT-EH-2P-K3	1	390001921
23	Drain Hose Sub-Assy	1	007008000001
NS	Drain Hose	1	05232046
20	Remote Controller YBE1FB5F	1	305001060180

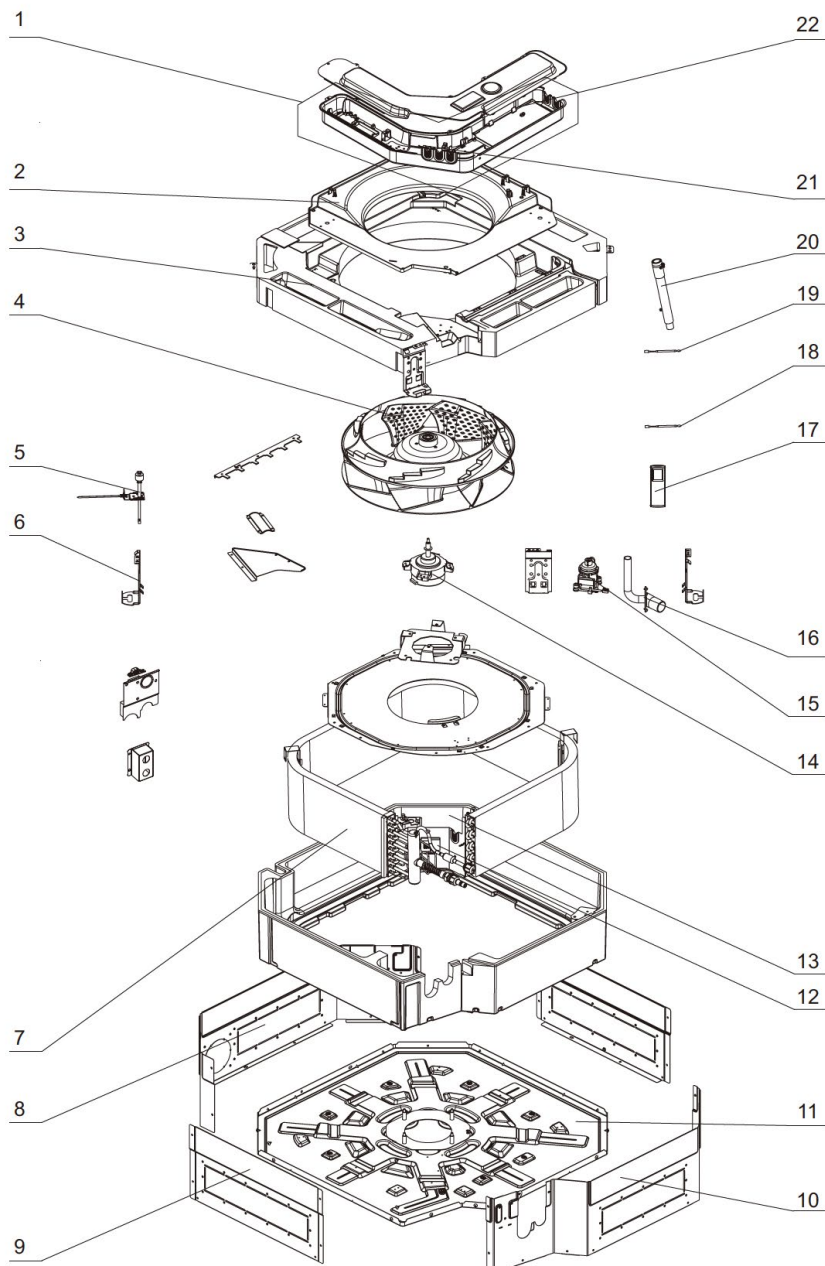
EXPLODED VIEW & PARTS LIST



CAS18HP230V1R32AH

No.	Part Description	Qty	Part No.
NS	Shell Assy	1	011633060005
15	Seat Board Sub-Assy	1	017080060023
12	Side Plate	1	012010060176
16	Side Plate	1	012010060175
13	Side Plate	1	01201006017702
7	Side Plate	1	01201006017703
17	Brushless DC Motor B-FN30C-ZL	1	150104060012
19	Evaporator Assy	1	011001061937
NS	Evaporator Assy	1	01100106193601
NS	Current Divider	1	035032060048
5	Gas Sensor (R32)	1	34002406001602
18	Support	1	012060061048
10	Drain Pipe	1	200070060005
8	Liquid Level Switch	1	430024000005
9	Water Pump PSB-0.024/1.2-A	1	4313800005802
4	Centifugal Fan	1	103003060008
NS	Block gasket	1	70413008
14	Mounting Rack Sub-Assy	4	017044060011
3	Water Tray Assy	1	000069060065
24	Flow Guide Loop	1	200150060003
2	Electric Box Assy	1	100002082761
NS	Main Board Z4M551WJ	1	300002064306
NS	Jumper (CAP 2.5mm BLUE)	1	4202021908
1	Terminal Board	1	422000060015
11	Sealplate	1	012034060119
22	Room Sensor 15KS-XH-2P-K3	1	39000191
21	Temperature Sensor 20KT-EH-2P-K3	1	390001921
23	Drain Hose Sub-Assy	1	007008000001
NS	Drain Hose	1	05232046
20	Remote Controller YBE1FB5F	1	305001060180

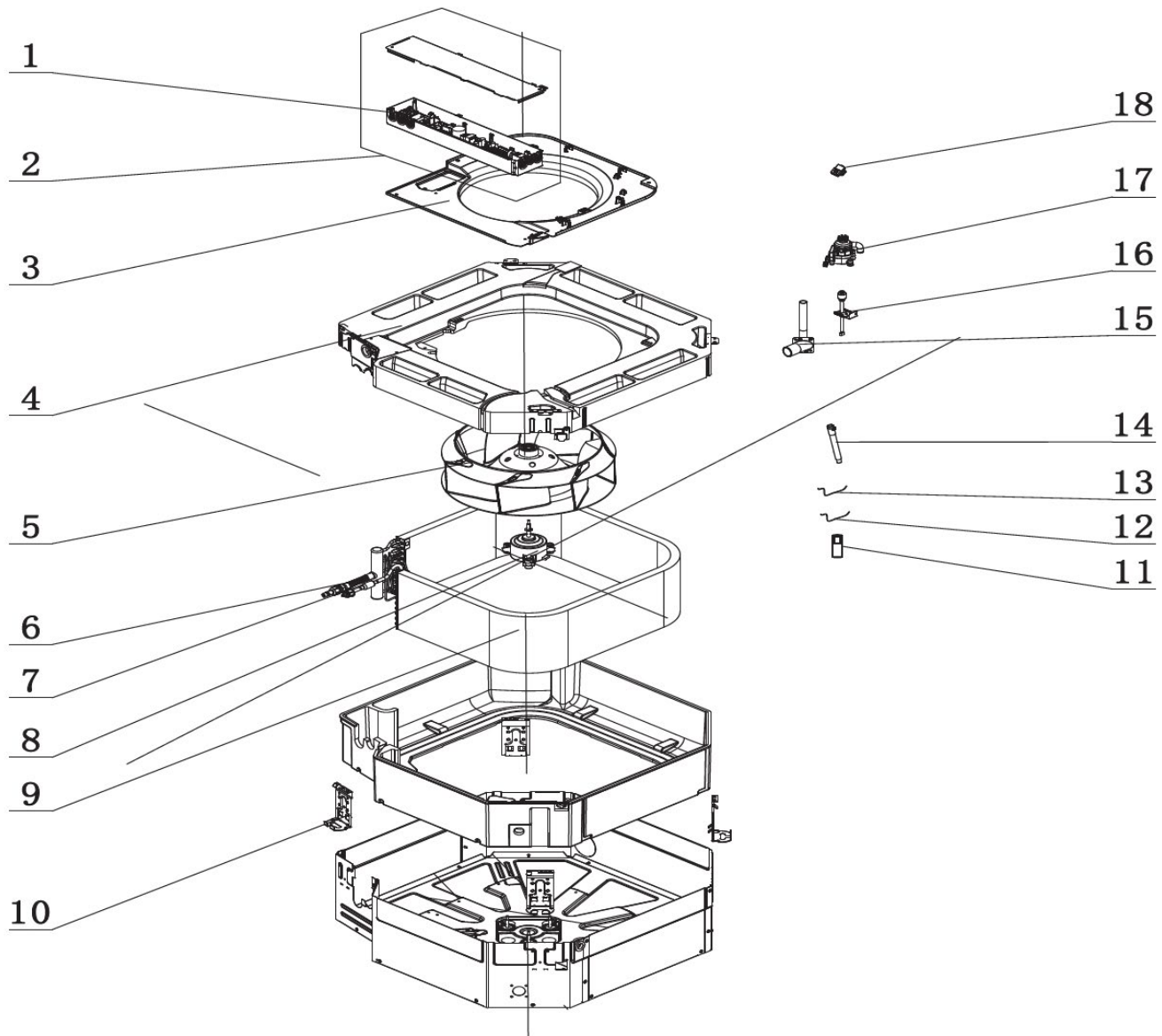
EXPLODED VIEW & PARTS LIST



CAS24HP230V1R32AH

No.	Part Description	Qty	Part No.
NS	Rear Case assy	1	01519400003
11	Seat Board Sub-Assy	1	02229400011
8	Side Plate 1	1	01319400049
9	Side Plate 2	1	01319400050
10	Side Plate 3	2	01319400051
7	Evaporator Assy	1	011001000254
NS	Corrugated Pipe	1	05029434
12	Strainer	1	07213050
18	Temperature Sensor 20KT-EH-2P-K3	1	39000286
13	Gas Sensor R32	1	34002406001602
NS	Mounting Plate	1	01329400011
NS	Motor Support Sub-Assy	1	017012060050P
NS	Motor Support Sub-Assy	1	017012060050
14	Brushless DC Motor FN35D-ZL	1	1570410000702
4	Centrifugal Fan	1	10429400004
NS	Fan Fixer	1	10312701
15	Water Pump PSB-0.024/1.2	1	43138000058
16	Drainage Pipe Sub-assy	1	26909400055
NS	Liquid Level Switch Sub-assy	1	45018000029
5	Liquid Level Switch	1	4502021601
6	Body Installing Plate	4	01332701
2	Diversion Circle	1	26909400067
NS	Seal plate	1	0149940000202
1	Electric Box Assy	1	100002082759
22	Main Board Z4M551ZJ	1	300002064325
NS	Jumper Cap(2.5 Blue)	1	4202021910
21	Terminal Board	1	42000100000207
19	Temperature Sensor 15KS-XH-2P-K3	1	390000453
NS	Electric Box Cover	1	01429400016
NS	Sensor Sheath	1	42032703
NS	Packaging Foam	1	52069403
20	Drain Hose Sub-Assy	1	05232702
NS	Drain Hose	1	05232044
17	Remote Controller YBE1FB5F	1	305001060180

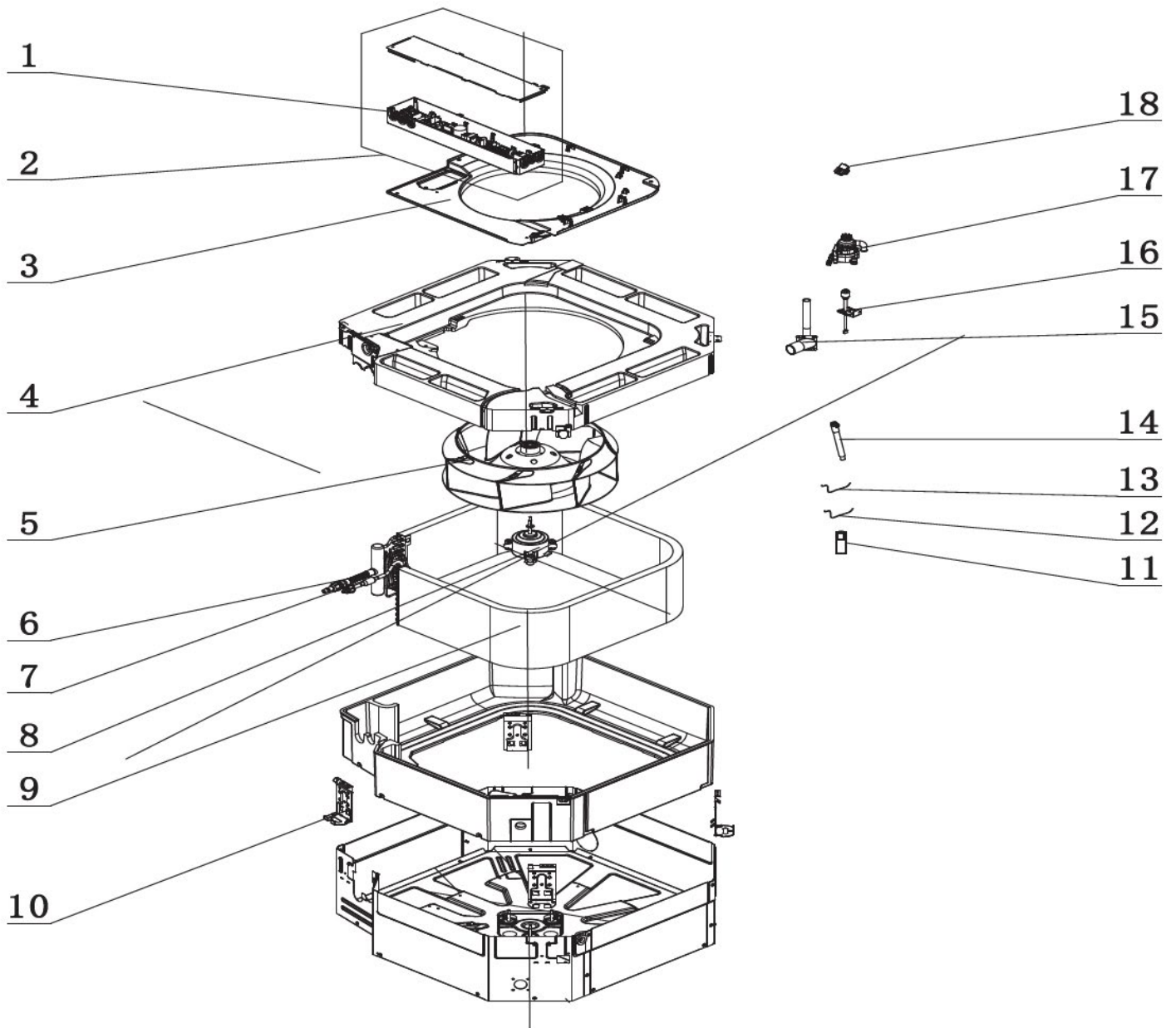
EXPLODED VIEW & PARTS LIST



CAS30HP230V1R32AH

No.	Part Description	Qty	Part No.
NS	Seat Board Sub-Assy	1	017080060148
NS	Side Plate 1	1	012010061292
NS	Side Plate	1	012010061293
NS	Side Plate	2	012010061294
NS	Deflector fixed insert	1	01722701
9	Evaporator Assy	1	011001063313
NS	Current Divider	1	035032060048
7	Strainer	1	035021060019
13	Temperature Sensor	1	390001921
18	Gas Sensor	1	34002406001602
8	Brushless DC Motor	1	15010406013401
5	Centrifugal Fan	1	103003060047
NS	Fan Fixer	1	10312701
17	Water Pump	1	4313800005803
NS	Cover Plate Sub-Assy	1	011657060416
15	Drainage Pipe Sub-assy	1	269094000055
NS	Drainage Joint	1	061328000003
16	Liquid Level Switch	1	4502021603
10	Body Installing Plate	4	01332701
4	Water Tray Assy	1	000069060483
NS	Deflector fixed insert	3	01722701
3	Diversion Circle	1	200150060030
NS	Wire Clamp	1	71010003
NS	Wire Clamp	1	71010003
2	Electric Box Assy	1	100002083606
NS	Cable Cross Loop	1	200136060003
1	Terminal Board	1	422000060091
NS	Jumper	1	4202021920
12	Temperature Sensor	1	390000451
11	Remote Controller	1	305001060180
14	Drain Hose Sub-Assy	1	05339400001
NS	Drain Hose	1	05232044

EXPLODED VIEW & PARTS LIST



CAS36HP230V1R32AH

No.	Part Description	Qty	Part No.
NS	Seat Board Sub-Assy	1	017080060148
NS	Side Plate 1	1	012010061292
NS	Side Plate	1	012010061293
NS	Side Plate	2	012010061294
NS	Deflector fixed insert	1	01722701
9	Evaporator Assy	1	011001063305
NS	Current Divider	1	035032060048
7	Strainer	1	07213050
13	Temperature Sensor	1	390001921
18	Gas Sensor	1	34002406001602
8	Brushless DC Motor	1	15010406013401
5	Centrifugal Fan	1	103003060047
NS	Fan Fixer	1	10312701
17	Water Pump	1	4313800005803
NS	Cover Plate Sub-Assy	1	011657060416
15	Drainage Pipe Sub-assy	1	269094000055
NS	Drainage Joint	1	061328000003
16	Liquid Level Switch	1	4502021603
10	Body Installing Plate	4	01332701
4	Water Tray Assy	1	000069060483
NS	Deflector fixed insert	3	01722701
3	Diversion Circle	1	200150060030
NS	Wire Clamp	1	71010003
NS	Wire Clamp	1	71010003
2	Electric Box Assy	1	100002083606
NS	Cable Cross Loop	1	200136060003
1	Terminal Board	1	422000060091
NS	Jumper	1	4202021920
12	Temperature Sensor	1	390000451
11	Remote Controller	1	305001060180
14	Drain Hose Sub-Assy	1	05339400001
NS	Drain Hose	1	05232044