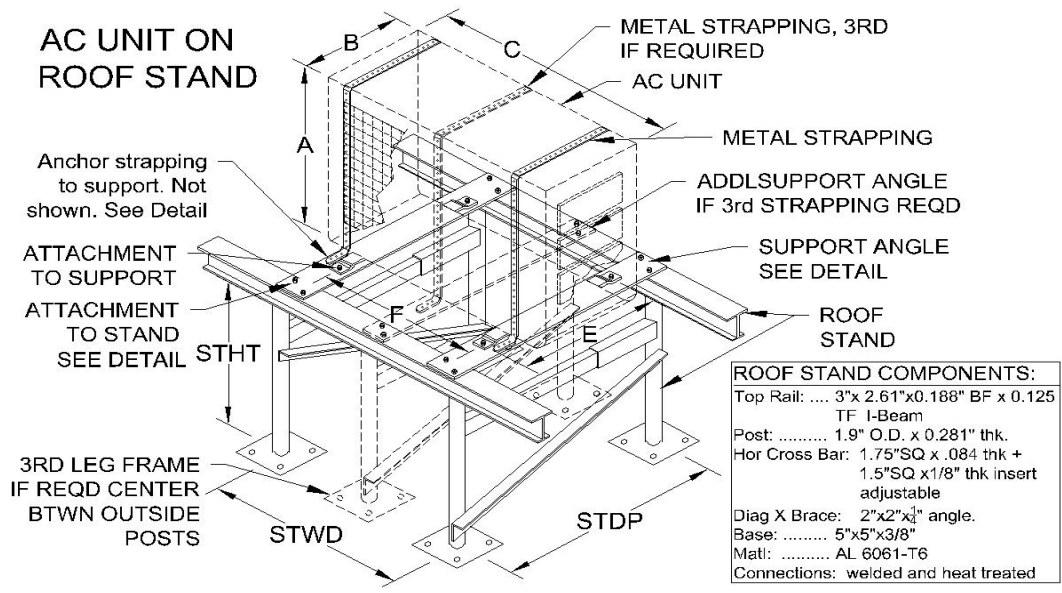


GREE DUCTFREE MINI-SPLITS OUTDOOR CONDENSING UNITS
ROOF STAND CONFIGURATION AND ANCHOR SELECTION - WIND LOAD EXAMINATION

CODE: FMC and FBC 7th Ed. (2020) BLDG, ASCE 7-16
 MIAMI-DADE WIND SPEED = 195 MPH (Risk Cat. IV)



ENGINEERING CONFORMANCE ANALYSIS:
 THE TABLE SHOWS ROOF STAND AND ANCHOR TYPES FOR VARIOUS MODELS OF HVAC OUTDOOR EQUIPMENT UP TO 3 TONS THAT MEET THE FOLLOWING ANALYSIS: • OVERTURN • SLIDING • ANCHOR PULLOUT AND SHEAR STRENGTH • EQUIPMENT INTEGRITY.

TABLE A-2

LIVV GEN3 - Series						
Model No.	Weight (lbs)	Length C (in.)	Width B (in.)	Height A (in.)	Mount E (in.)	Mount F (in.)
LIVV09HP230V1AO	55	28.0	10.1	21.3	11.3	20.0
LIVV12HP230V1AO	63	28.0	10.1	21.3	11.3	20.0
LIVV18HP230V1AO	95	33.3	12.3	25.6	13.5	23.0
LIVV24HP230V1AO	97	33.3	12.3	25.6	13.5	23.0
LIVV30HP230V1AO	139	36.3	14.6	31.1	15.6	24.0
LIVV36HP230V1AO	140	36.3	14.6	31.1	15.6	24.0

Installation Requirements

Roof Stand	Support Angle	Strapping		Design Check: Nomnal / Reqd				
		# of Straps If Required	Gauge thickness	Conc Anc Pullout	Conc Anc Shear	Unit Foot Anchor Pullout		
A-1	2	1/4	A-4	Yes, 2	22ga	1.38	2.12	3.95
A-1	2	1/4	A-4	Yes, 2	22ga	1.39	2.12	3.97
A-2	2	1/4	A-4	Yes, 2	22ga	1.28	2.72	2.76
A-2	2	1/4	A-4	Yes, 2	22ga	1.28	2.72	2.76
A-3	2	1/4	A-4	Yes, 2	20ga	1.37	3.70	2.01
A-3	2	1/4	A-4	Yes, 2	20ga	1.37	3.70	2.01

Bri-Ko Engineering, Inc.,
 Structural Analysis
 Calc Sht: EC-1
 Description: Mechanical Equipment on Roof Stand Calc
 Code: FBC 7th Ed. (2020) and ASCE 7-16.
 Spreadsheet designed by: B. Schwartz, PE
 Date data input: 25-Mar-21

Design Methodology and Load Combinations:
 Design Method: LRFD $\Phi = 0.90$
 Load Combos: FBC Eqn. 16-6 0.9 D + 1.0 W
 Wind Forces: based on ASCE 7-16 Eqn. 29.4-1, and FBC 1620.6

Ultimate Design Wind Speed, Vult (3-sec gust):	195 mph	Miami Dade
Nominal Design Wind Speed, Vasd:	151 mph	
Risk Category:	IV	Dir., Topo., Gust Effect: 0.90
Height, h:	60 ft	Exp. Cat.: C
Enclosure Cat.	N/A	Vel. Pres. Exp Coef., Kz: 1.137
Velocity Pressure	$q_h = 0.00256 K_z K_{zt} K_d V^2$ (lb/ft ²)	qh = 99.6 psf
F = q _h (GC _p)A _r	(GC _p) _{v,l} = (1.5 ver., 1.9 lat.)	F _{ver, Flat} : 149.4 psf, 189.2 psf

Limit States: for illustration purposes only:
 Select UnitType: **LIVV** Select Model #: **LIVV36HP230V1AO**
 Number of Leg Frames is 2

Loads, (lbs): P1= 1482 P2= 548 P3= 596 PD= 140
Resistance to sliding stand post:
 Req'd. Shear/leg = **399 lbs** Nominal Shear per leg: **850 lbs** CHECKS OK
Resistance to sliding anchors to support:
 Req'd Sher/anc: **399 lbs** Nom Shear per bolt: **900 lbs** CHECKS OK

Resistance to Moment and Uplift: Use Load Combo: **0.90 D + 1.00 W**
 Overturn M at stand base: **83.8 k-in** Base Pullup: **748 lbs**
 Overturn M at unit foot: **26.3 k-in** Foot Pullup: **878 lbs**
 Nom Pullup Str, 4xConcAnc, Bolt: **5480 lbs** **1700 lbs** CHECKS OK

Verification of Support Angle:
 Forces, lbs: -R₁ = 457 R₂ = 878 R₃ = 604 R₄ = 183
 Required Mom.: **4.7 k-in** Req'd Section Modulus: **0.247 in³**
 Use: 3"x3"x1/4" with S_x = 0.547 in³

Unit Integrity: If Required. Only if manufacturer does not state design wind pressure.
 Required tension on strap = **897 lbs**
 Strap width, gauge = **1.375 in.** **20ga** min gauge thickness
 Steel Strength = **45 ksi min.** Strength of strap = **981 lbs** CHECKS OK

Roof Stand min, maxs:				Leg Max Forces(lbs)
limits	STWD	STDP	STHT	Tension: 5860
min:	24 in.	28 in.	18 in.	Comp.: 6000
max:	36 in.	36 in.	33 in.	Shear: 1700

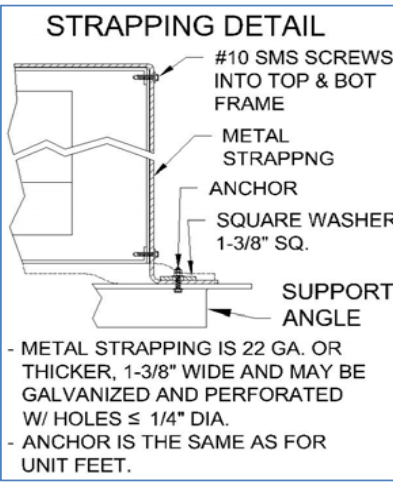
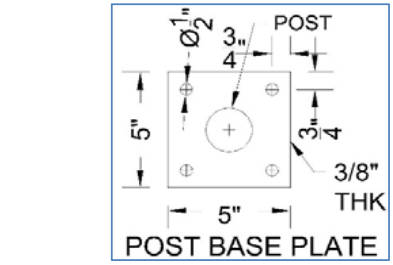
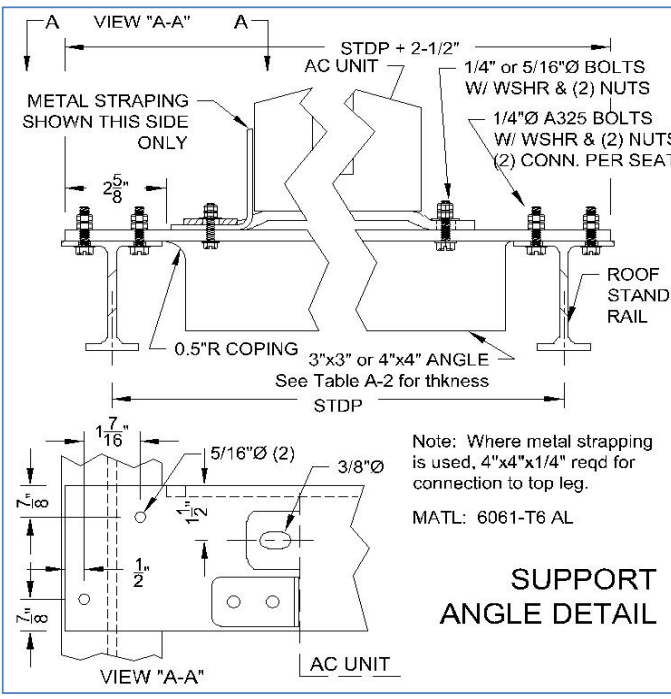


TABLE A-1 ANCHOR TYPE AND ALLOWABLE STRENGTHS

SYM	ANCHOR DESCRIPTION & MANUFACTURER	EMBED	STRENGTH AT MIN SPACING	
			PULL OUT (LBS)	SHEAR (LBS)
A-1	1/4" TAPCON (Buildex)	1-3/4"	505	415
A-2	5/16" Hvy Duty Tapcon (Buildex)	1-3/4"	695	760
A-3	3/8" WEDGE BOLT (Powers)	2-1/2"	1025	1370
A-4	1/4" A307 Bolt	N/A	1700	900
A-5	5/16" A307 Bolt	N/A	2500	1500

- Anchor Type is the minimum, higher strength types permitted.

GENERAL NOTES:
 1. THIS ENGINEERING REPORT DOCUMENTS THE ANALYSIS OF AC EQUIPMENT MOUNTED ON A ROOF STAND AND THE ASSOCIATED ANCHORING SYSTEMS TO RESIST DEAD WEIGHT AND WIND LOAD FORCES.
 2. THE LOAD PATH VERIFIED IS FROM THE EQUIPMENT AS A SINGLE UNIT, ENCLOSURE FASTENERS, UNIT LEG ANCHORS, ROOF STAND CROSS SUPPORT TO ROOF STAND.
 3. THE AC UNIT IS MOUNTED ON A METAL ROOF STAND WHICH IS SECURED TO THE ROOF.
 4. ANCHORS USED TO FASTEN THE UNIT TO THE ROOF STAND ARE A307 OR HIGHER STRENGTH STEEL BOLTS.
 5. THE ROOF STAND IS SUPPLIED BY THE MANUFACTURER INDICATED IN THIS DOCUMENT AND IS INSTALLED IN CONFORMANCE WITH THE ENGINEERING DOCUMENT REFERENCED.
 6. UNIT INTEGRITY, IF NOT DESIGNATED BY THE MANUFACTURER FOR THE STATED WIND PRESSURES, IS ADDRESSED BY STRAPPING ATTACHED TO THE UNIT AND ANCHORED TO THE SUPPORT ANGLES. THIS RESISTS SHELL AND FRAME SEPARATION.

CALCULATIONS:
 1. THE WIND LOAD ACTING NORMAL TO THE LARGE VERTICAL SIDE OF THE AC UNIT IS USED FOR WORST CASE SHEAR.
 2. THE WIND LOAD ACTING ON THE TOP OF THE UNIT UPWARD AND THE HORIZONTAL WIND LOAD IS USED TO CALCULATE UPLIFT AND MOMENT.
 3. THESE FORCES MUST BE RESISTED BY THE SHEAR AND TENSILE STRENGTH OF THE ANCHORS BOTH HOLDING THE UNIT TO THE SUPPORT BAR AND THE SUPPORT BAR TO THE ROOF STAND.
 4. THE MOMENT AND SHEAR MUST BE TRANSFERRED FROM THE AC UNIT TO THE ROOF STAND BY A SUPPORT BAR AS THE AC UNIT DEPTH IS LESS THAN THE ROOF STAND DEPTH.
 5. MAX MOMENT AND SHEAR TO THE SUPPORT BAR DETERMINE SELECTION OF THE SUPPORT BAR.

ROOF STAND NOTES:
 1) ROOF STAND IS BASED ON A DESIGN BY R.M. ENTERPRISES, PER ENGINEERING DRWG DATED 03-09-2012 SIGNED AND SEALED BY P.E.#56902, BUT VERIFIED BY BRI-KO ENGINEERING 2) STHT = STAND HEIGHT WITH MIN 18", MAX 33". 3) STWD = STAND WIDTH = 24" MIN, 36" MAX. 4) STDP = STAND DEPTH = 28" MIN, 36" MAX. 5) SUPPORT ANGLE AND FASTENERS OF SUPPORT TO STAND AND SUPPORT TO AC UNIT ARE DEFINED IN DETAIL BELOW.
 6) AC UNIT MUST BE CENTERED ON SUPPORT.W. ROOF STAND LIMITS.) MAX COMPRESSION PER FOOT = 6000 LBS. MAX UPLIFT PER FOOT = 5860 LBS. MAX SHEAR PER TWO FEET = 1700 LBS.

Sheet: **ENG-1** BRI-KO ENGINEERING INC Cert. Of Auth.:#27622 tel: 954-648-6218
 Doc: **Page 1 of 1**
 Gree -LIVV GEN3_Wall Mount
 Issue Date: **25-Mar-21**
 Dwn By: **B.S.**
 Dwg Size: **11x 17**